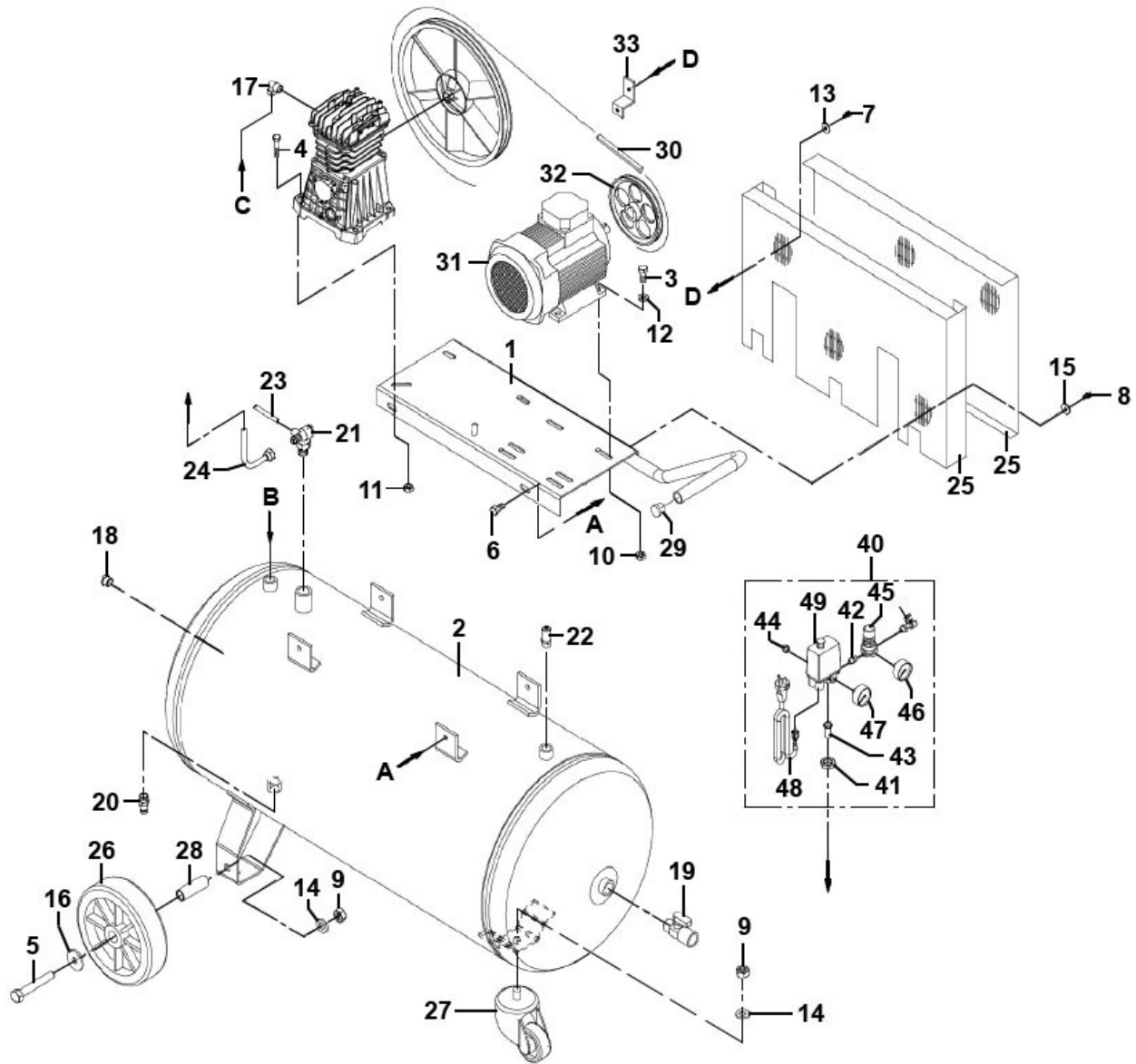


Parts Information:
**Compressor 100ltr Belt Drive 2hp with Cast
 Cylinders & Wheels**
Model No: SAC0102B



Item	Part No.	Description
1	SAC5010990008	Base Plate
2	SAC5159151008	Tank 100ltr
3	SS825.S	Hex Head Set Screw M8 X 25 Zinc
4	SS1045.S	Hex Head Set Screw M10 X 45 Zinc
5	HHB1280.S	Hex Head Bolt M12 x 80mm
6	SFS1020.S	Hex Head Flange Bolt M10 X 20 Zinc
7	MSP512.S	Machine Screw Pan Head Phillips M5 X 12mm
8	SAC7012170000	Screw (M5x8)
9	SN12.S	Steel Nut M12 Zinc
10	SN8.S	Steel Nut M8 Zinc
11	SN10.S	Steel Nut M10 Zinc

Item	Part No.	Description
12	FWM8.S	Flat Washer M8 Zinc
13	RW625.S	Repair Washer 6 X 25 Zinc
14	FWM12.S	Flat Washer M12 Zinc
15	RW619.S	Repair Washer M6 X 19 Zinc
16	RW1235.S	Repair Washer M12 X 35 Zinc
17	SAC7080160000	Elbow 1/2"BSP Male x2
18	SAC7090030000	Plug 1/2"
19	SAC7130150000	Ball Valve 1/2"BSP Female-1/2"BSP Male
20	SAC7130160000	Drain Valve 3/8"BSP Male
21	SAC7190090000	Non-Return Valve
22	SAC7192090000	Safety Valve 10Bar 3/8"BSP Male

NOTE: It is our policy to continually improve products and as such we reserve the right to alter data, specifications and component parts without prior notice. There may be alternative versions of this product, please contact us should you require this information.

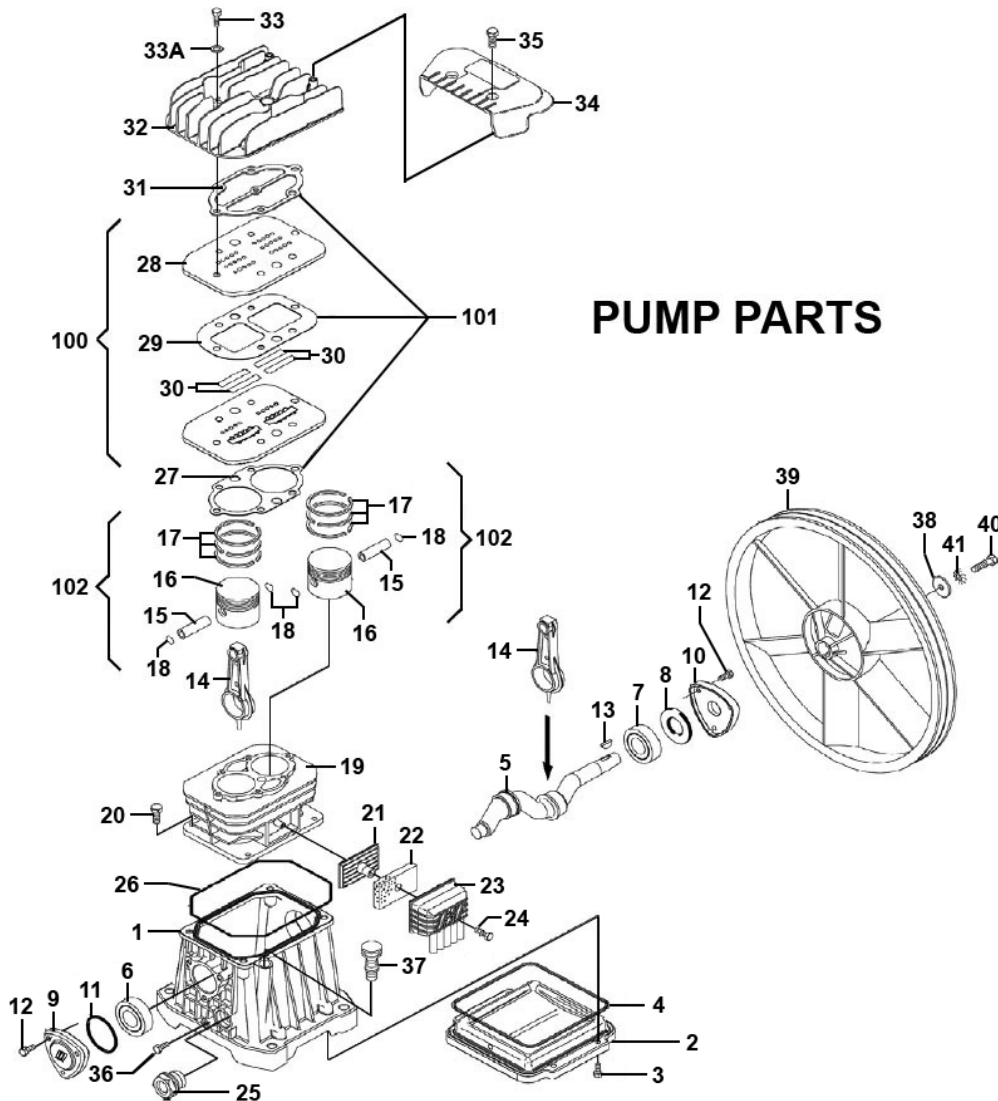
IMPORTANT: No liability is accepted for incorrect use of product. Spare parts must be fitted by a competent person

WARRANTY: Guarantee is 12 months from purchase date, proof of which will be required for any claim.

Parts Information: Compressor 100ltr Belt Drive 2hp with Cast Cylinders & Wheels Model No: SAC0102B

Item	Part No.	Description
23	SAC7230010000	Rislan Hose (Sold Per 1 Metre)
24	SAC7237570000	Delivery Pipe
25	SAC4170010000	Belt guard kit
26	SAC7260060000	Wheel, Fixed Plastic (D:170 W:40 B:20)
27	SAC7260110000	Wheel, Swivel Castor, Single Bolt (D:80 W:22 B:5 H:131)
28	SAC7330010000	Wheel Spacer
29	SAC7360020000	End Plug
30	V/A46	V-Belt (Id-1168) A46
31	SAC7381390000	Motor (External 1 phase 2hp 230v 50hz 1.5kw)
32	SAC7408310000	Motor Pulley - 145mm Single Belt (Standard)
33	SAC7458510000	Belt Guard Support
34	SAC9100280000	Pump Unit

Item	Part No.	Description
40	SAC4057620000	Pressure switch kit 16/20amp 12bar 175psi (c/w cable & gauge)
41	SAC7023050000	Lock Nut
42	SAC7081090000	Union 1/4"BSP M-1/4"BSP M-l:25mm
43	SAC7088060000	Connector
44	SAC7090090000	Plug 1/4"
45	SAC7100640000	Pressure reducer
46	SAC7110240000	Pressure Gauge 240psi, 43mm Od, Rear Fitting
47	SAC9700001789	Pressure gauge 230 psi, 50mm od, Rear Fitting
48	SAC7130570000	Coupling Body 1/4"BSP Male
49	SAC7250360000	Pressure Switch 20amp IP44/41
--	SAC7329010000	Power Cable (Not Shown)



PUMP PARTS

NOTE: It is our policy to continually improve products and as such we reserve the right to alter data, specifications and component parts without prior notice. There may be alternative versions of this product, please contact us should you require this information.

IMPORTANT: No liability is accepted for incorrect use of product. Spare parts must be fitted by a competent person

WARRANTY: Guarantee is 12 months from purchase date, proof of which will be required for any claim.



Parts Information:
**Compressor 100ltr Belt Drive 2hp with Cast
Cylinders & Wheels**
Model No: SAC0102B

Item	Part No.	Description
		PUMP PARTS
1	SAC9700001075	Crankcase
2	SAC9700001076	Crankcase Cover
3	SAC9700000531	Screw (M5x12)
4	SAC9700001077	Crankcase Base Seal
5	SAC9100270140	Crankshaft
6	B/6203	Bearing B/6203
7	B/6204	Bearing 6204
8	SAC9100270150	Oil Seal
9	SAC9100270160	Front Cover
10	SAC9100270170	Rear Cover
11	SA36.V2-36	O-Ring, (Ex: 47.93 In: 40.87 Cs: 3.53)
12	SS616.S	Hex Head Set Screw M6 X 16 Zinc
13	SAC9100280020	Ke
14	SAC9100280030	Con Rod
15	SAC9100020080	Piston Pin
16	SAC9100020120	Piston
17	SAC4080030000	Piston Ring Set
18	SAC9100010580	Seeger Ring
19	SAC7575230000	Cylinder
20	SFS825.S	Hex Head Flange Bolt M8 X 25
21	SAC9100280040	Filter Plate
22	SAC9100280050	Filter Element

Item	Part No.	Description
23	SAC9100280060	Intake Filter
24	SS445.S	Hex Head Set Screw M4 X 45 Zinc
25	SAC9100280070	Oil Sight Glass
26	SAC9100270180	Gasket, Cylinder Base
27	SAC9100270190	Gasket
28	SAC9100280080	Valve Plate (Cast Squared Ends, Metal Gasket)
29	SAC9100270200	Gasket
30	SAC9100280090	Valve
31	SAC9100270210	Gasket
32	SAC9100280100	Head
33	SCB835.S	Socket Cap Bolt M8x35
33A	FWM8.S	Flat Washer M8 Zinc
34	SAC9100270220	Cover
35	MSP512.S	Machine Screw Pan Head Phillips M5 X 12mm
36	SS616.S	Hex Head Set Screw M6 X 16 Zinc
37	SAC1129700300	Breather Plug
38	RW825.S	Repair Washer M8 X 25 Zinc
39	SAC9100270230	Flywheel
40	SS825.S	Hex Head Set Screw M8 X 25 Zinc
41	SAC7031010000	Toothed Washer
100	SAC9100280210	Valve Plate Kit (Rounded Ends)
101	SAC9700000078	Gasket Kit
102	SAC4291030000	Piston Group

NOTE: It is our policy to continually improve products and as such we reserve the right to alter data, specifications and component parts without prior notice. There may be alternative versions of this product, please contact us should you require this information.

IMPORTANT: No liability is accepted for incorrect use of product. Spare parts must be fitted by a competent person

WARRANTY: Guarantee is 12 months from purchase date, proof of which will be required for any claim.

Sealey Group, Kempson Way, Suffolk Business Park, Bury St Edmunds, Suffolk. IP32 7AR



01284 757500



01284 703534



sales@sealey.co.uk



www.sealey.co.uk