

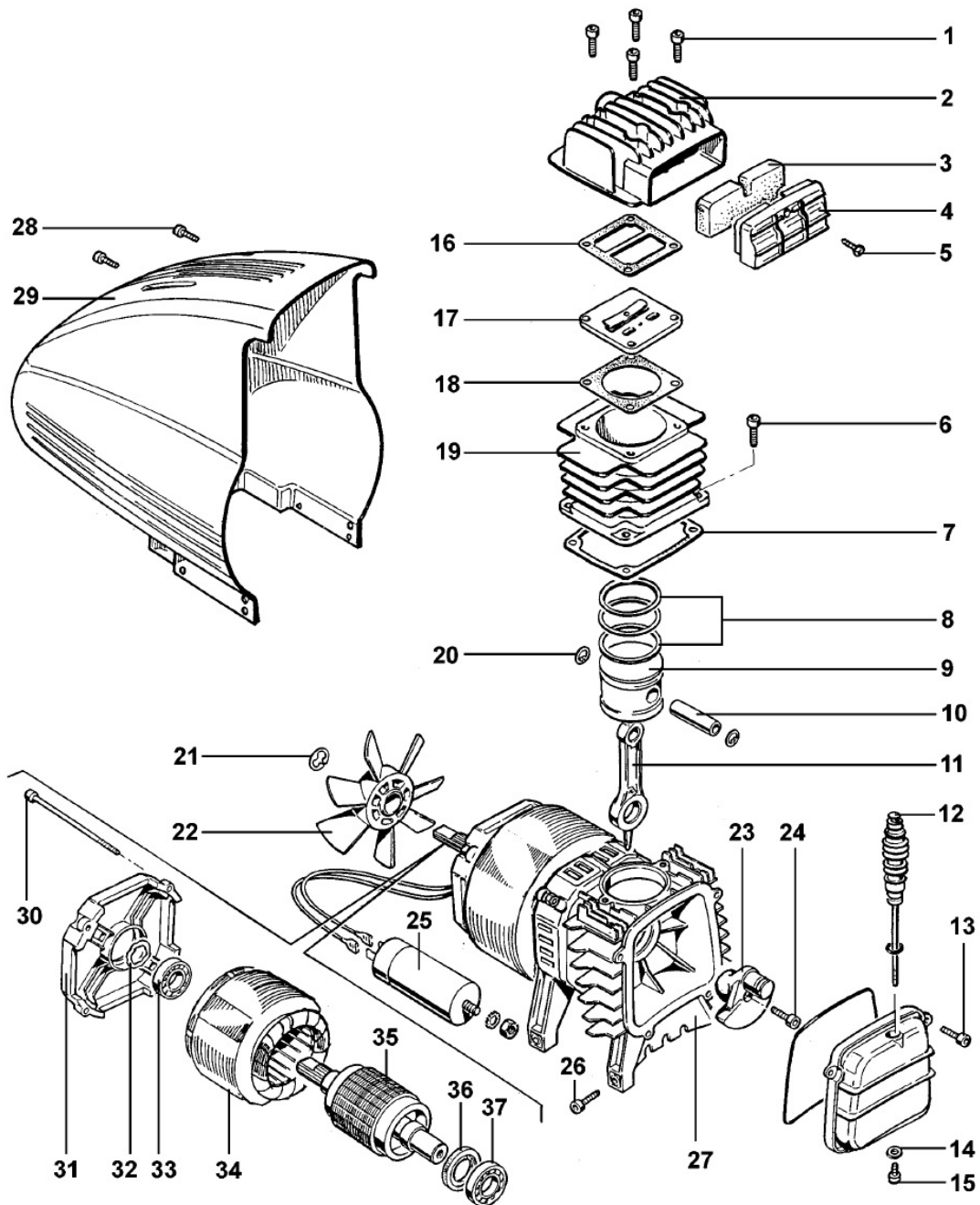
Item	Part No.	Description
1	SH16903380	Connection 3/8" d.8-10
2	SH14401420	Safety valve 1/2" 8 bar
3	SH35601020	Air filter cover
3A	SH35601030	Air filter
4	SH10001500	Pump group 2hp
5	CS 2.5M3CBLK	Cord set 2.5m 3 core blk
6	SH16901890	Plug, tank 1/2"bsp
7	SH13200160	Wheel bolt
8	SH12507270	Accessory pack
9	SH15300320	Drain cock 3/8
10	SH16500310	Rubber foot

Item	Part No.	Description
11	SH11903140	Tank, 25ltr
12	SH14304400	Air inlet pipe 25 litre
13	SH14400920	Non-return valve
14	SH16500350	Plug,handle
15	SH14300980	Air pipe plastic(42cm)rilsan
16	SH13000340	Regulator c/w tap
17	SA1/1414	Double Male Union 1/4"BSPT to 1/4"BSPT
18	SAC9052014	Gauge d:50mm 240psi back fitting
19	SH12801100	New pressure switch 3/8"connect
	SAC9063048	Pressure switch (240v/20a max 6-8bar 175psi) (NOT SHOWN)
	SAC9050544	Plug 1/4" (NOT SHOWN)

NOTE: It is our policy to continually improve products and as such we reserve the right to alter data, specifications and component parts without prior notice.

IMPORTANT: No liability is accepted for incorrect use of product.

WARRANTY: Guarantee is 12 months from purchase date, proof of which will be required for any claim.



NOTE: It is our policy to continually improve products and as such we reserve the right to alter data, specifications and component parts without prior notice.

IMPORTANT: No liability is accepted for incorrect use of product.

WARRANTY: Guarantee is 12 months from purchase date, proof of which will be required for any claim.



Parts Information:
Compressor 25ltr Direct Drive 2hp
Model No: SA9925/2.V4

Item	Part No.	Description
1	SH17300580	Skt. hd bolt m6x30 / Skt. hd bolt m6x30
2	SH31301000	Head / Head
3	SH35601030	Air filter / Air filter
4	SH35601020	Air filter cover / Air filter cover
5	SH17300630	Screw / Screw
6	SH17300570	Screw / Screw
7	SH10500120	Gasket cylinder base / Gasket cylinder base
8	SH32540100	Piston rings / Piston rings
9	SH11200060	Piston / Piston
10	SH11200070	Gudgeon pin / Gudgeon pin
11	SH11100030	Connecting rod / Connecting rod
12	SH16500490	Dipstick / Dipstick
13	SH17300170	Screw pump cover / Screw pump cover
14	FWM8.S	Flat washer m8 single / Flat washer m8 single
15	SCB610.S	Socket cap bolt m6x10 / Socket cap bolt m6x10
16	SH10500100	Head gasket / Head gasket
17	SH12700200	Valve plate / Valve plate
18	SH10500170	Gasket,cylinder/valve / Gasket,cylinder/valve
19	SH11600290	Cylinder 2.0hp / Cylinder 2.0hp
20	SH17600040	Circlip
21	SH17600050	Circlip / Circlip

Item	Part No.	Description
22	SH31504000	Fan / Fan
23	SH1020013A	Crank / Crank
24	SH17300040	Screw left/hd / Screw left/hd
25	SH19201220	Condenser 31.5uf (40x92mm) / Condenser 31.5uf (40x92mm)
26	SH17300170	Screw pump cover / Screw pump cover
27	SH1310017A	Crank case / Crank case
28	SH17300170	Screw pump cover / Screw pump cover
29	SH13600160	Pump cover 2.0hp and 2.5hp / Pump cover 2.0hp and 2.5hp
30	SH17300810	Motor tension bolt, 2hp / Motor tension bolt, 2hp
31	SH1040005A	Rear casing / Rear casing
32	SH13300050	Compensation ring / Compensation ring
33	B/6202	Bearing 6202 / Bearing 6202
34	SH13300910	Field coil / Field coil
35	SH13300930	Armature / Armature
36	SH10300110	Oil seal / Oil seal
37	B/6204	Bearing 6204 / Bearing 6204
--	SH10400240	Base cover / Base cover (NOT SHOWN)

NOTE: It is our policy to continually improve products and as such we reserve the right to alter data, specifications and component parts without prior notice.

IMPORTANT: No liability is accepted for incorrect use of product.

WARRANTY: Guarantee is 12 months from purchase date, proof of which will be required for any claim.

Sealey Group, Kempson Way, Suffolk Business Park, Bury St Edmunds, Suffolk. IP32 7AR



01284 757500



01284 703534



sales@sealey.co.uk



www.sealey.co.uk