

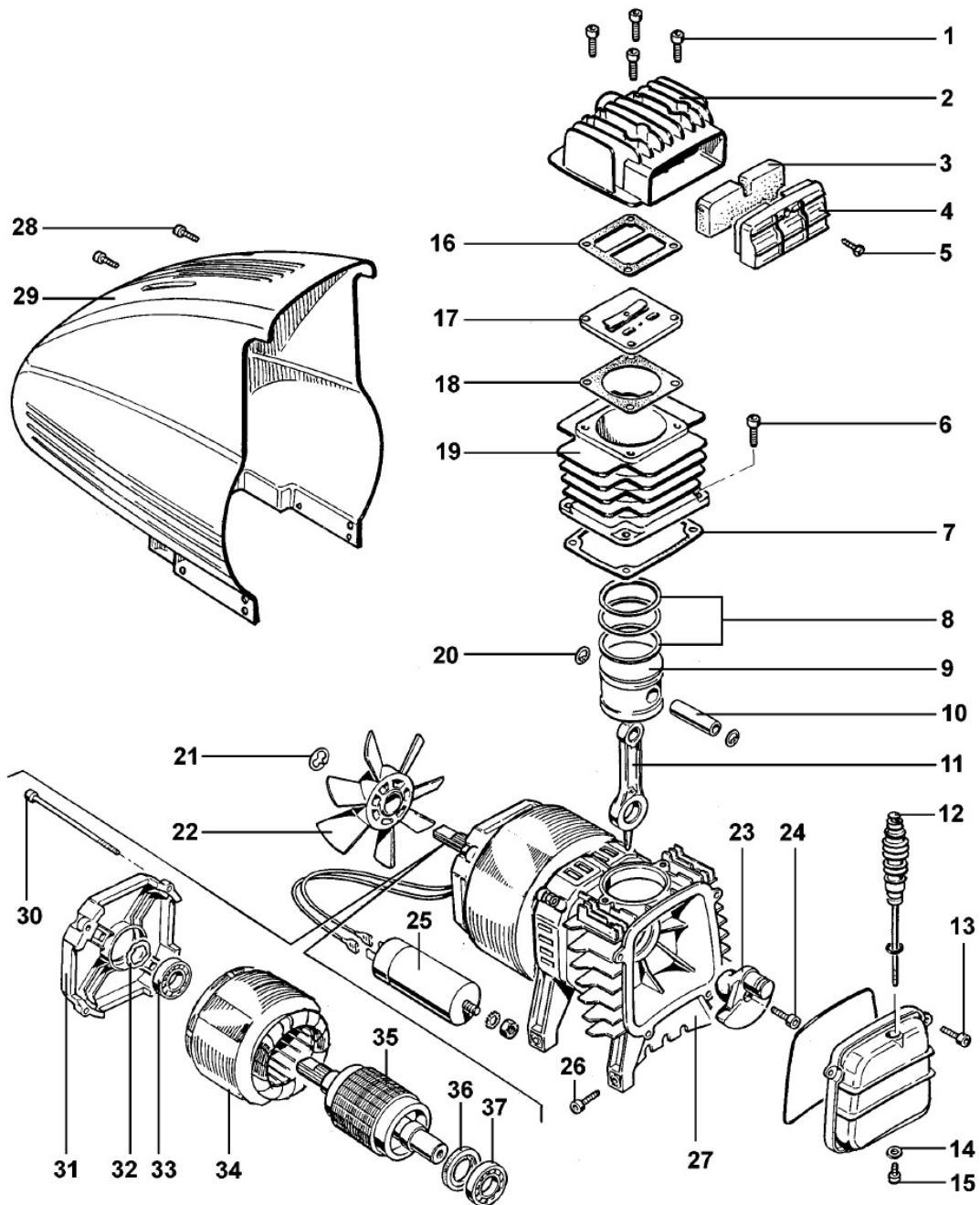
Item	Part No.	Description
1	SH16903380	Connection 3/8" d.8-10
2	SH14401420	Safety valve 1/2" 8 bar
3	SH35601020	Air filter cover
3A	SH35601030	Air filter
4	SH10001510	Pump group 2.5hp
5	CS 2.5M3CBLK	Cord set 2.5m 3 core blk
6	SH16901890	Plug, tank 1/2"bsp
7	SH13200160	Wheel bolt
8	SH12507270	Accessory pack
9	SH15300320	Drain cock 3/8
10	SH16500310	Rubber foot

Item	Part No.	Description
11	SH11903140	Tank, 25ltr
12	SH14304400	Air inlet pipe 25 litre
13	SH14400920	Non-return valve
14	SH16500350	Plug,handle
15	SH14300980	Air pipe plastic(42cm)rilsan
16	SH13000340	Regulator c/w tap
17	SA1/1414	Double Male Union 1/4"BSPT to 1/4"BSPT
18	SAC9052014	Gauge d:50mm 240psi back fitting
19	SH12801100	New pressure switch 3/8"connect
--	SAC9063048	Pressure switch (240v/20a max 6-8bar 175psi) (NOT SHOWN)
--	SAC9050544	Plug 1/4" (NOT SHOWN)

**NOTE:** It is our policy to continually improve products and as such we reserve the right to alter data, specifications and component parts without prior notice.

**IMPORTANT:** No liability is accepted for incorrect use of product.

**WARRANTY:** Guarantee is 12 months from purchase date, proof of which will be required for any claim.



**NOTE:** It is our policy to continually improve products and as such we reserve the right to alter data, specifications and component parts without prior notice.

**IMPORTANT:** No liability is accepted for incorrect use of product.

**WARRANTY:** Guarantee is 12 months from purchase date, proof of which will be required for any claim.



Parts Information:  
**Compressor 25ltr Direct Drive 2.5hp**  
**Model No: SA9925/2.5.V3**

Item	Part No.	Description
1	SH17300580	Skt. hd bolt m6x30 / Skt. hd bolt m6x30
2	SH31301000	Head
3	SH35601030	Air filter / Air filter
4	SH35601020	Air filter cover / Air filter cover
5	SH17300630	Screw / Screw
6	SH17300570	Screw / Screw
7	SH10500120	Gasket cylinder base / Gasket cylinder base
8	SH12500660	Piston rings kit 2.5hp / Piston rings kit 2.5hp
9	SH11200080	Piston, 2.5hp (so) ( / Piston, 2.5hp
10	SH31206520	Gudgeon pin / Gudgeon pin
11	SH11100030	Connecting rod / Connecting rod
12	SH16500490	Dipstick / Dipstick
13	SH17300170	Screw pump cover / Screw pump cover
14	FWM8.S	Flat washer m8 single / Flat washer m8 single
15	SCB610.S	Socket cap bolt m6x10 / Socket cap bolt m6x10
16	SH10500100	Head gasket / Head gasket
17	SH12700200	Valve plate / Valve plate
18	SH10500170	Gasket,cylinder/valve / Gasket,cylinder/valve
19	SH11600300	Cylinder 2.5hp / Cylinder 2.5hp
20	SH17600040	Circlip(so)( / Circlip

Item	Part No.	Description
21	SH17600050	Circlip / Circlip
22	SH31504000	Fan / Fan
23	SH1020013A	Crank / Crank
24	SH17300040	Screw left/hd / Screw left/hd
25	SH19201220	Condenser 31.5uf (40x92mm) / Condenser 31.5uf (40x92mm)
26	SH17300170	Screw pump cover / Screw pump cover
27	SH1310017A	Crank case / Crank case
28	SH17300170	Screw pump cover / Screw pump cover
29	SH13600160	Pump cover 2.0hp and 2.5hp / Pump cover 2.0hp and 2.5hp
30	SH17300810	Motor tension bolt, 2hp / Motor tension bolt, 2hp
31	SH1040005A	Rear casing / Rear casing
32	SH13300050	Compensation ring / Compensation ring
33	B/6202	Bearing 6202 / Bearing 6202
34	SH13300920	Field coil / Field coil
35	SH13300940	Armature / Armature
36	SH10300110	Oil seal / Oil seal
37	B/6204	Bearing 6204 / Bearing 6204

**NOTE:** It is our policy to continually improve products and as such we reserve the right to alter data, specifications and component parts without prior notice.

**IMPORTANT:** No liability is accepted for incorrect use of product.

**WARRANTY:** Guarantee is 12 months from purchase date, proof of which will be required for any claim.

**Sealey Group**, Kempson Way, Suffolk Business Park, Bury St Edmunds, Suffolk. IP32 7AR



01284 757500



01284 703534



sales@sealey.co.uk



www.sealey.co.uk