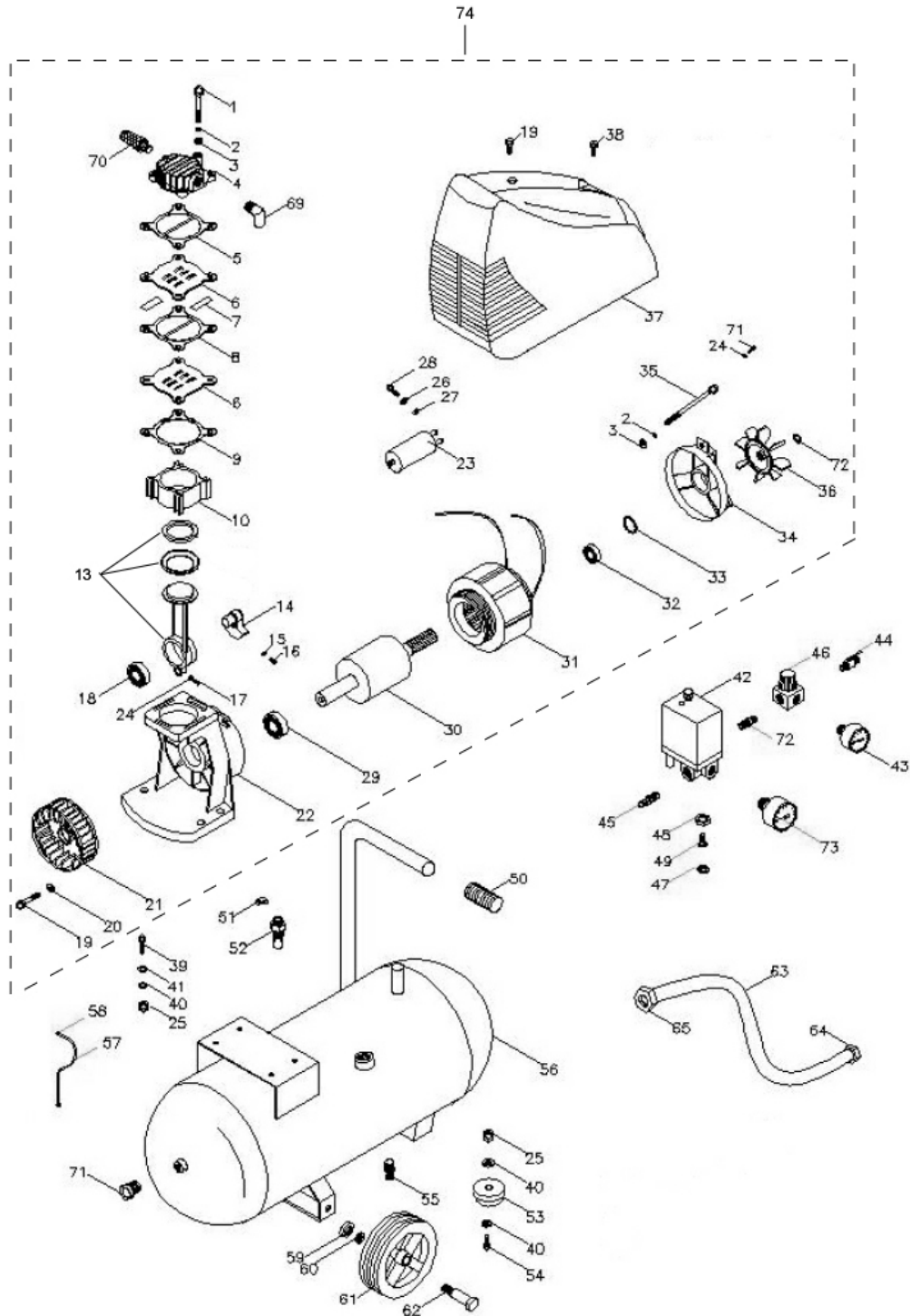




Parts Information:
Compressor 25ltr Direct Drive Oil Free
1.5hp
Model No: SA9525



NOTE: It is our policy to continually improve products and as such we reserve the right to alter data, specifications and component parts without prior notice.

IMPORTANT: No liability is accepted for incorrect use of product.

WARRANTY: Guarantee is 12 months from purchase date, proof of which will be required for any claim.

Sealey Group, Kempson Way, Suffolk Business Park, Bury St Edmunds, Suffolk. IP32 7AR



01284 757500



01284 703534



sales@sealey.co.uk



www.sealey.co.uk



Parts Information:
**Compressor 25ltr Direct Drive Oil Free
1.5hp
Model No: SA9525**

Item	Part No.	Description
1	SA9525.01	Bolt (m6x70)
2	SA9525.02	Spring washer
3	SA9525.03	Washer
4	SA9525.04	Cylinder head
5	SA9525.05	Gasket
6	SA9525.06	Valve plate
7	SA9525.07	Valve plate
8	SA9525.08	Gasket
9	SA9525.09	Gasket
10	SA9525.10	Cylinder
13	SA9525.13	Connecting rod c/w ring & piston ring
14	SA9525.14	Crank
15	SN6.S	Steel nut m6 zinc din934 (single)
16	SCB620.SB	Socket head cap screw m6x20 black
17	B/6005Z	Bearing 6005z
18	SA9525.38	Bolt (m6x16)
19	FWM6.S	Flat washer m6 single
20	SA9525.21	Fan, pump
21	SA9525.22	Crankcase
22	SA2225.07	Capacitor 35uf 450ac 50/60hz cbb60
23	FWM6.S	Flat washer m6 single
24	FN8.S	Flange nut serrated m8 zinc (single)
25	SA9525.26	Washer
26	SA9525.27	Spring washer
27	SA9525.28	Bolt (m3x6)
28	SA9525.29	Bearing (use b/6204-2rs)
29	B/6204-2RS	Bearing 6204-2rs
30	SA9525.30	Rotor (230v/50hz)
31	SA9525.31	Stator (230v/50hz)
--	SA9525.31A	Stator (230v/50hz)(127mm long) (NOT SHOWN)
32	B/6202-2RS	Bearing 6202-2rs
33	SA9525.33	Spring washer
34	SA9525.34	End cover
35	SA9525.35	Bolt (m6x105)
36	SA9525.36	Fan, motor
37	SA9525.37	Pump cover

Item	Part No.	Description
38	SA9525.38	Bolt (m6x16)
39	SS830.S	Hex head set screw m8x30mm single
40	SA9525.40	Washer
41	SA9525.41	Spring washer
42	SA2225-V3.58	Pressure switch 15amp 12 bar 175psi
43	SAC5020E.61	Gauge 200psi, 40mm od, rear mounting
44	SA9525.44	Air valve 1/4"
45	SA9525.45	Safety valve 12bar 1/4"bsp male
46	SA9525.46	Regulator
47	SA9525.47	Gasket
48	SA9525.48	Nut
49	SA9525.49	Connector
50	SA9525.50	Handle cover
51	SA9525.51	Elbow (10mm m x 10mm m)
52	SA9525.52	Check valve
53	SA9525.53	Foot
54	SA9525.54	Bolt (m8x20)
55	SA9525.55	Drain valve
56	SA9525.56	Tank 24ltr
57	SA9525.57	Unloading nut m10x1
58	SA9525.58	Unloading pipe
59	SN12.S	Steel nut m12 zinc din934(single)
60	SWM10.SB	Spring washer m10 black(single)
61	SAC5030VE.73	Wheel, fixed (150x13x34)
62	SA9525.62	Axle
63	SA9525.63	Exhaust pipe
64	SA9525.64	Nut
65	SA9525.65	Nut
69	SA9525.69	Elbow (3/8"m x 3/8"m)
70	SA9525.70	Air filter
71	SA9525.71	Casing cap
72	SAC5030VE.82	Union 1/4"bsp male x2 l;28mm
73	SA9525.73	Gauge 200psi 50mm od rear fitting
74	SA9525.HEAD	Pump assembly
--	SA9525.74	Fan cover (NOT SHOWN)
--	SA9525.75	Fan / Fan (NOT SHOWN)

NOTE: It is our policy to continually improve products and as such we reserve the right to alter data, specifications and component parts without prior notice.

IMPORTANT: No liability is accepted for incorrect use of product.

WARRANTY: Guarantee is 12 months from purchase date, proof of which will be required for any claim.

Sealey Group, Kempson Way, Suffolk Business Park, Bury St Edmunds, Suffolk. IP32 7AR



01284 757500



01284 703534



sales@sealey.co.uk



www.sealey.co.uk