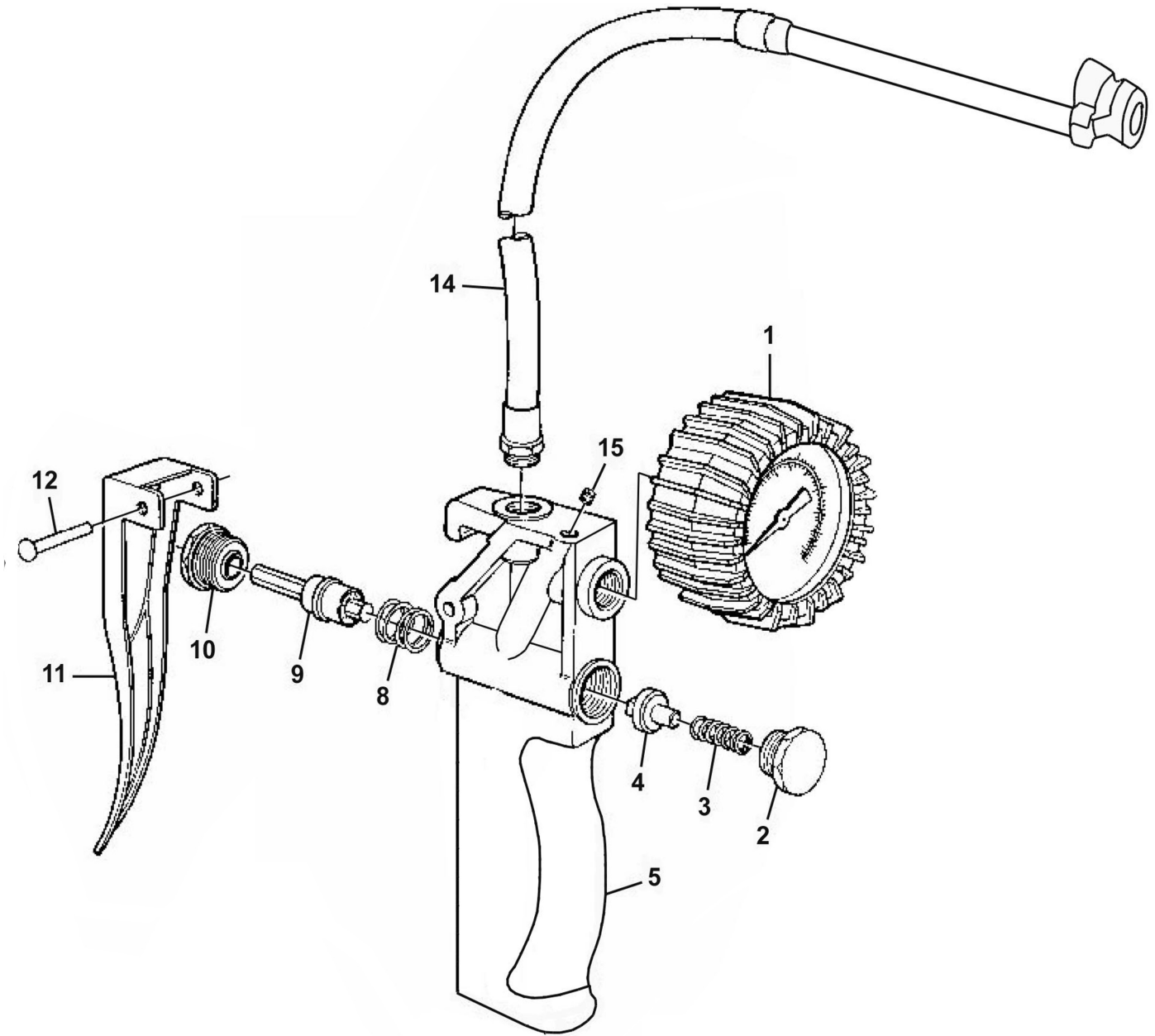


Parts Information:
Professional Tyre Inflator with Twin Push-On Connector
Model No: SA931.V2



Item	Part No.	Description
1	SA931.01	Gauge
2	SA931.02	Screw Cap
3	SA931.03	Spring
4	SA931.04	Valve
5	SA931.V2-05	Body
8	SA931.08	Trigger Spring

Item	Part No.	Description
9	SA931.09	Trigger Valve
10	SA931.10	Trigger Cap
11	SA931.11	Trigger
12	SA931.12	Pin
14	SA931.14	Air Hose
15	GSM55.S	Grub Screw M5 x 5mm

NOTE: It is our policy to continually improve products and as such we reserve the right to alter data, specifications and component parts without prior notice. There may be alternative versions of this product, please contact us should you require this information.

IMPORTANT: No liability is accepted for incorrect use of product. Spare parts must be fitted by a competent person

WARRANTY: Guarantee is 12 months from purchase date, proof of which will be required for any claim.