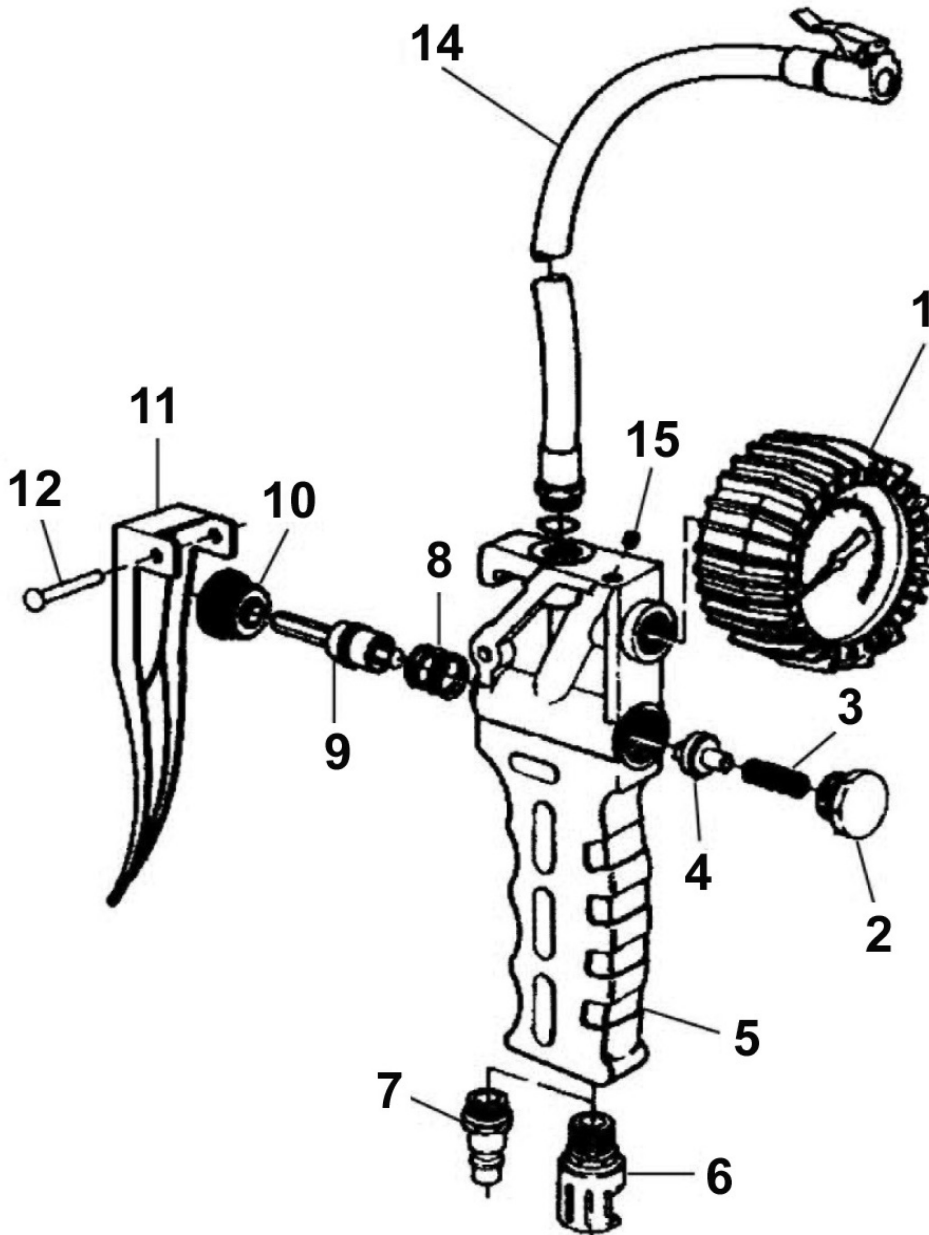


Parts Information:  
**Professional Tyre Inflator with Clip-On Connector**  
**Model No: SA930.V2**



Item	Part No.	Description
1	SA930.01A	Gauge 170psi
2	SA930.02	Screw Cap
3	SA930.03	Spring
4	SA930.04	Valve
5	SA930.05	Handle
6	SA930.06	Connection
7	SA930.07	Inlet
8	SA930.08	Trigger Spring

Item	Part No.	Description
9	SA930.09	Trigger Valve
10	SA930.10	Trigger Cap
11	SA930.11	Trigger
12	SA930.12	Pin
14	SA930.14	Air hose (c/w Connector)
15	SA930.15	Grub Screw
--	SA930.01B	Gauge 174psi (Not Shown)

**NOTE:** It is our policy to continually improve products and as such we reserve the right to alter data, specifications and component parts without prior notice. There may be alternative versions of this product, please contact us should you require this information.

**IMPORTANT:** No liability is accepted for incorrect use of product. Spare parts must be fitted by a competent person

**WARRANTY:** Guarantee is 12 months from purchase date, proof of which will be required for any claim.