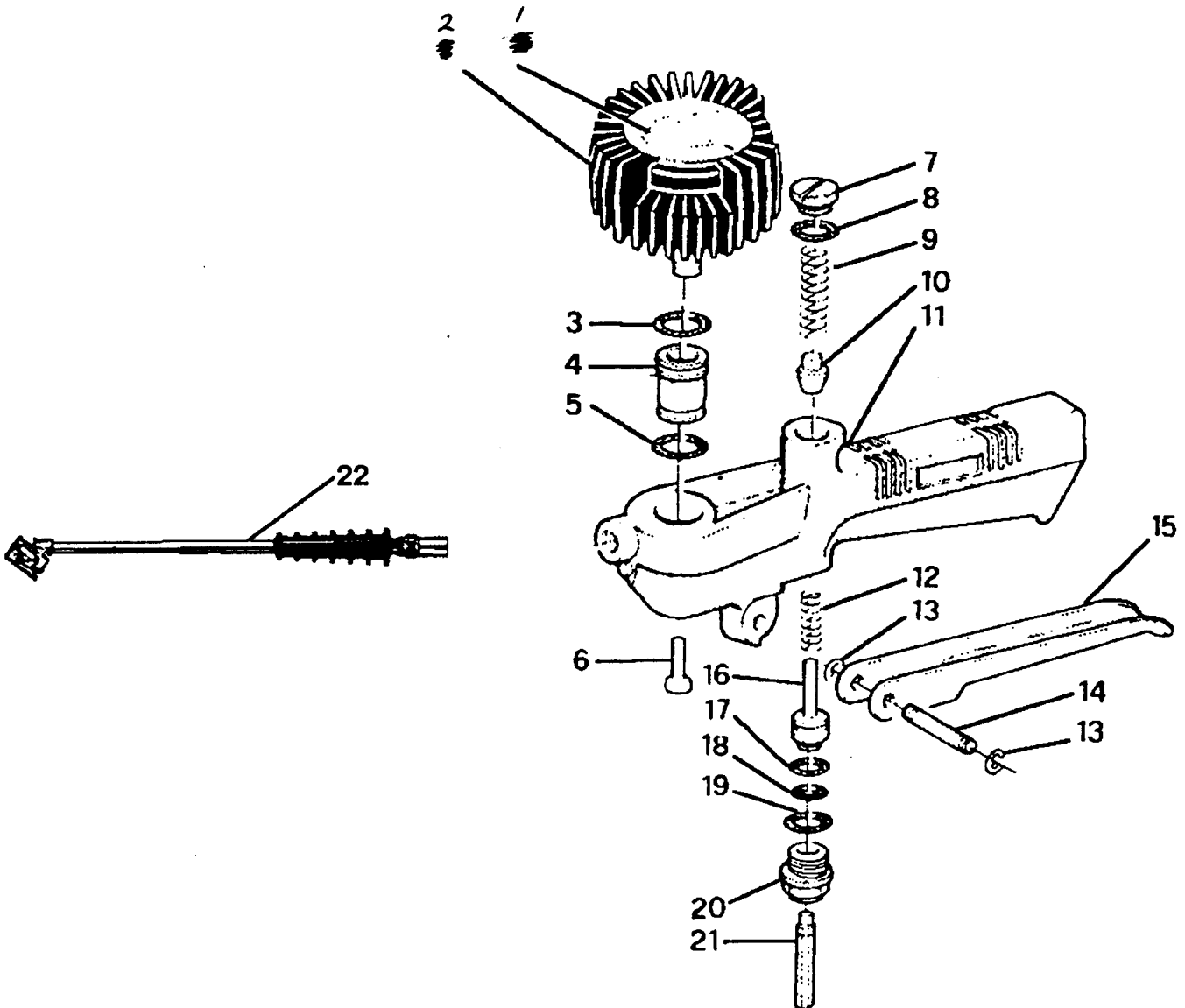


SA926 DELUXE TYRE INFLATOR C/W RIGID LANCE



- | | | | | | |
|----|--------------|--------------|----|--------------|--------------|
| 1 | 142/BM068012 | GAUGE Ø60 | 12 | 142/BA068197 | SPRING |
| 2 | 142/BE068013 | COVER, GAUGE | 13 | 142/BF068207 | CIRCLIP |
| 3 | 142/BD058028 | O-RING | 14 | 142/BS068201 | SHAFT |
| 4 | 142/BS068195 | SUPPORT | 15 | 142/BL068017 | TRIGGER |
| 5 | 142/BD078091 | O-RING | 16 | 142/BS068198 | VALVE, LOWER |
| 6 | 142/BF068208 | SCREW | 17 | 142/BD078021 | O-RING |
| 7 | 142/AS031302 | PLUG, UPPER | 18 | 142/BD108094 | O-RING |
| 8 | 142/BD118199 | O-RING | 19 | 142/BD078091 | O-RING |
| 9 | 142/BA068196 | SPRING | 20 | 142/BS068200 | PLUG, LOWER |
| 10 | 142/BH058013 | VALVE, UPPER | 21 | 142/BS068199 | ROD |
| 11 | 142/BU068125 | PISTOL BODY | 22 | 142/AH061102 | LANCE |
- 142/AH061303
- HOSE WITH LANCE