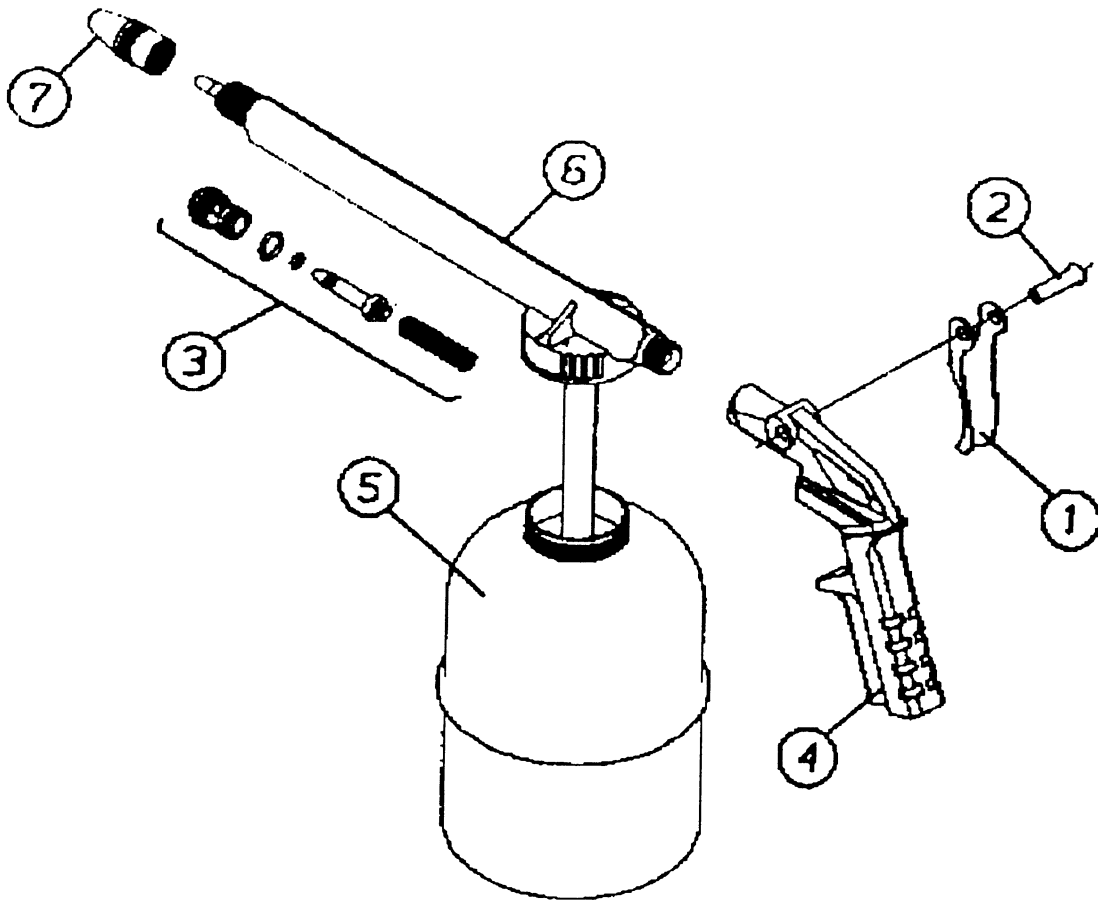


SA922 OIL SPRAY GUN



- | | | |
|----|--------------|------------------------------------|
| 1. | 142/BL058067 | TRIGGER |
| 2. | 142/BF088243 | RIVET, TRIGGER |
| 3. | 142/BH058042 | AIR VALVE COMPLETE |
| 4. | 142/BU058069 | BODY |
| 5. | 142/BE078183 | TANK, NYLON |
| 6. | 142/BE078185 | TUBE, PLASTIC C/W LID AND DIP TUBE |
| 7. | 142/BE078184 | NOZZLE |

S



Original Date:	26-5-92
Issue Date:	27-5-92
Version Number:	2
Date Modified:	26-5-92