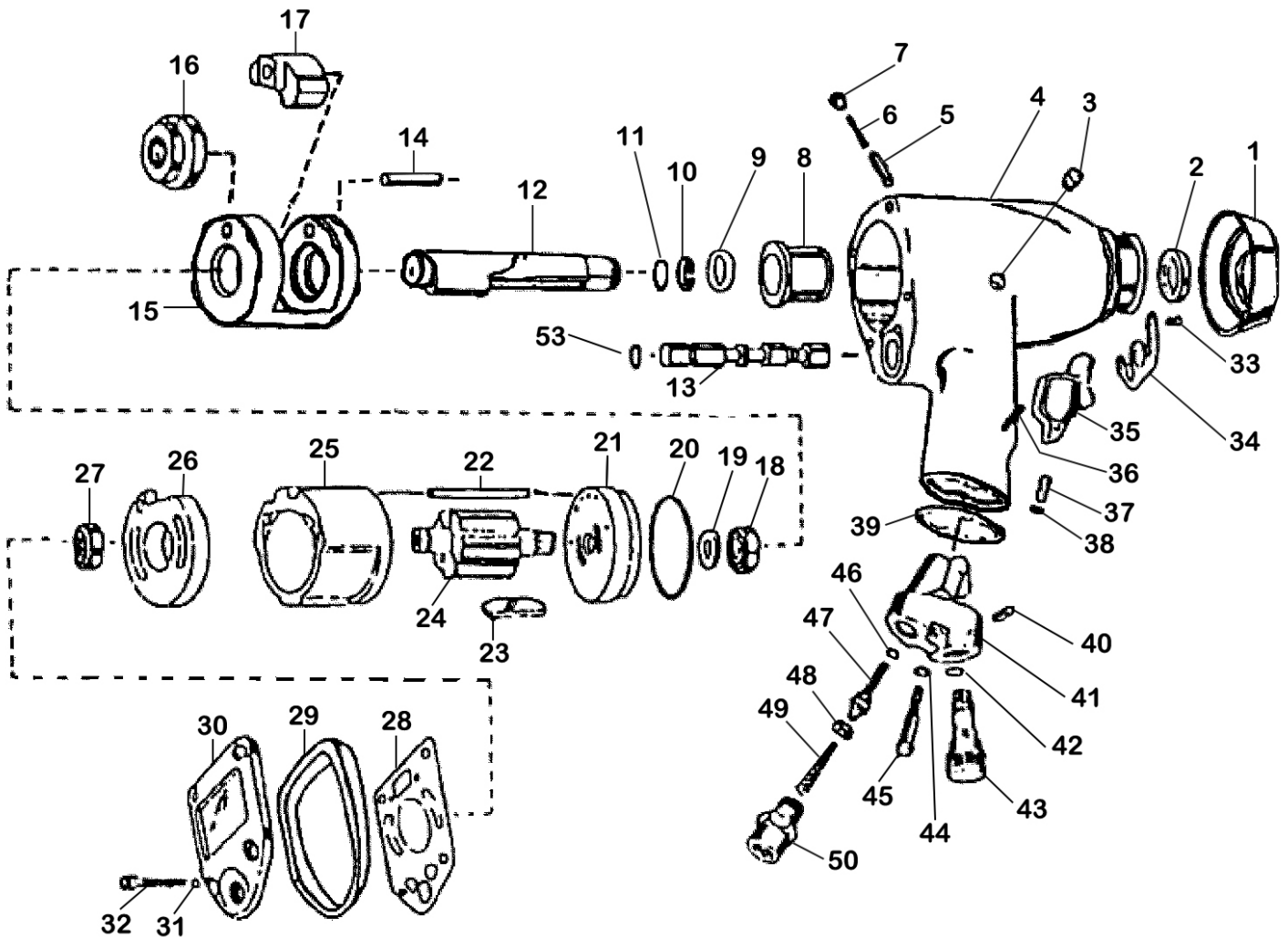




Parts Information:  
Air Impact Wrench 3/8" Sq Drive Heavy-Duty  
Model No: SA912



**NOTE:** It is our policy to continually improve products and as such we reserve the right to alter data, specifications and component parts without prior notice.

**IMPORTANT:** No liability is accepted for incorrect use of product.

**WARRANTY:** Guarantee is 12 months from purchase date, proof of which will be required for any claim.

Sealey Group, Kempson Way, Suffolk Business Park, Bury St Edmunds, Suffolk. IP32 7AR



01284 757500



01284 703534



sales@sealey.co.uk



www.sealey.co.uk



Parts Information:  
**Air Impact Wrench 3/8" Sq Drive Heavy-Duty**  
**Model No: SA912**

Item	Part No.	Description
1	SA912/01	Nose Guard, Rubber
2	SA912/02	Seal
3	SA912/03	Screw
4	SA912/04	Housing
5	SA912/05	Pin, Reverse Valve
6	SA912/06	Spring, Reverse Valve
7	SA912/07	Set Screw
8	SA912/08	Bushing
9	SA912/09	Bushing, Hammer Cage
10	SA912.V2-03	Anvil collar 3/8" x 1.5mm
11	SA912/11	O-Ring
12	SA912/12	Anvil
13	SA912/13	Valve, Reverse
14	SA912/14	Housing
15	SA912/15	Cage
16	SA912/16	Cam
17	SA912/17	Dog
18	B/EE3	Bearing
19	SA912/19	Seal
20	SA912/20	O-Ring
21	SA912/21	Plate, Front End
22	SA912/22	Pin
23	SA912/23	Blade, Rotor
24	SA912/24	Rotor
25	SA912/25	Cylinder
26	SA912/26	Plate Rear End

Item	Part No.	Description
27	B/626ZZ	Bearing 626zz
28	SA912/28	Gasket
29	SA912/29	Band
30	SA912/30	Cap, Rear End
31	SA912/31	Washer, Spring
32	SA912/32	Set Screw
33	SA912/33	Screw
34	SA912/34	Cover
35	SA2/04	Trigger
36	SA912/36	Pin
37	SA912/37	Pin, Push
38	SA912/38	O-Ring
39	SA912/39	Gasket
40	SA912/40	Pin
41	SA912/41	Block, Valve
42	SA912/42	O-Ring
43	SA912/43	Valve Regulator
44	SA912/44	Washer, Spring
45	SA912/45	Set Screw
46	SA912/46	O-Ring
47	SA912/47	Valve Throttle
48	SA912/48	Retainer, O-Ring
49	SA912/49	Spring, Throttle Valve
50	SA912/50	Adaptor, Hose
53	SA912/53	O-Ring

**NOTE:** It is our policy to continually improve products and as such we reserve the right to alter data, specifications and component parts without prior notice.

**IMPORTANT:** No liability is accepted for incorrect use of product.

**WARRANTY:** Guarantee is 12 months from purchase date, proof of which will be required for any claim.

**Sealey Group**, Kempson Way, Suffolk Business Park, Bury St Edmunds, Suffolk. IP32 7AR



01284 757500



01284 703534



sales@sealey.co.uk



www.sealey.co.uk