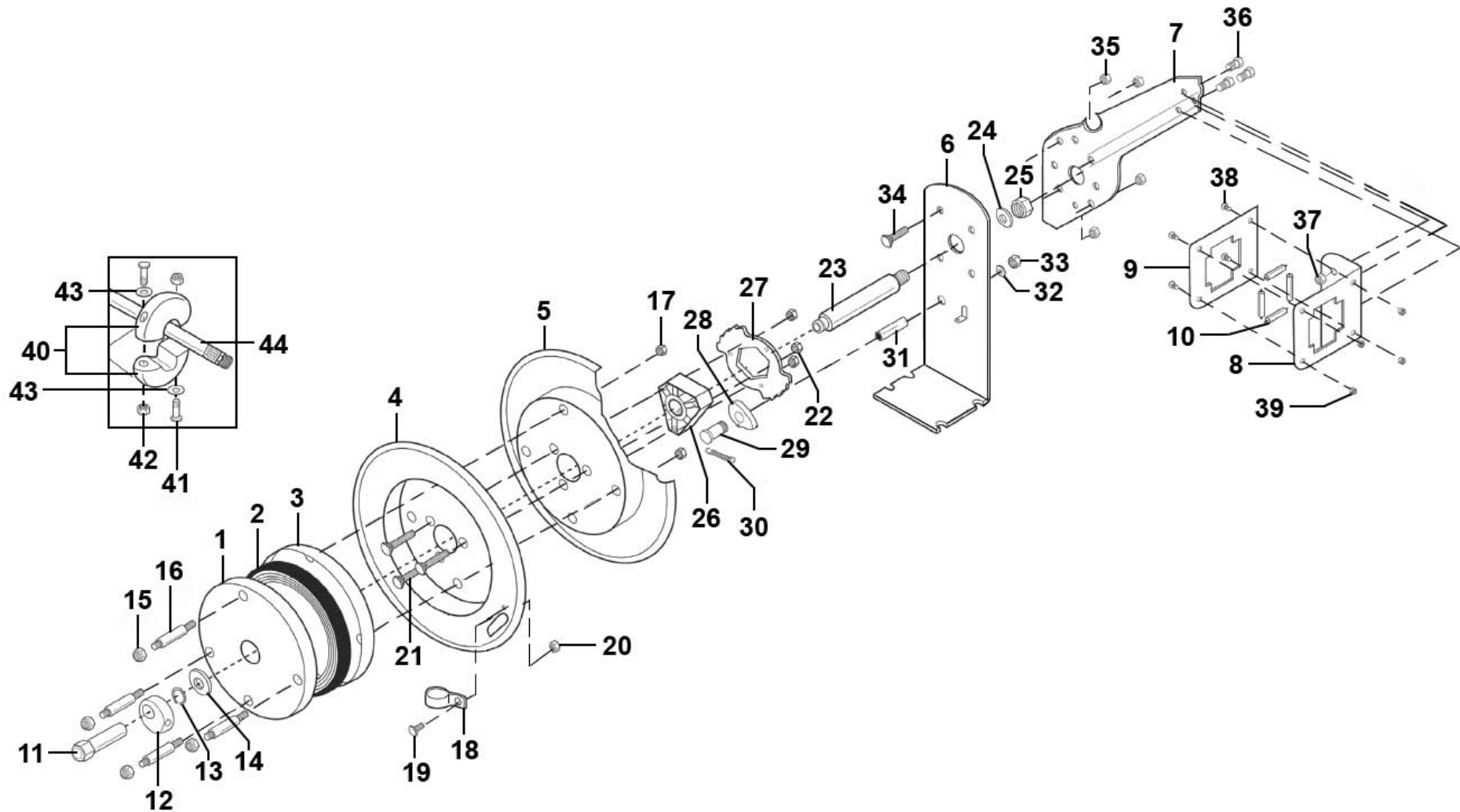




Parts Information:  
Retractable Air Hose Steel Reel 20m Ø10mm ID Rubber Hose  
Model No: SA85.V4



**NOTE:** It is our policy to continually improve products and as such we reserve the right to alter data, specifications and component parts without prior notice.

There may be alternative versions of this product, please contact us should you require this information.

**IMPORTANT:** No liability is accepted for incorrect use of product. Spare parts must be fitted by a competent person

**WARRANTY:** Guarantee is 12 months from purchase date, proof of which will be required for any claim.

Sealey Group, Kempson Way, Suffolk Business Park, Bury St Edmunds, Suffolk. IP32 7AR



01284 757500



sales@sealey.co.uk



www.sealey.co.uk



Parts Information:  
**Retractable Air Hose Steel Reel 20m**  
**Ø10mm ID Rubber Hose**  
**Model No: SA85.V4**

Item	Part No.	Description
1	SA85.V3-01	Main Spring Cover - Outside
2	SA85.V3-02	Main Spring
3	SA85.V3-03	Main Spring Cover - Inside
4	SA85.V3-04	Drum (Outside)
5	SA85.V3-05	Drum (Inside)
6	SA85.V3-06	Support Leg And Base
7	SA85.V3-07	Guide Arm
8	SA85.V3-08	Hose Guide Collar
9	SA85.V3-09	Back Plate
10	SA85.V3-10	Rollers & Pins
--	SA85-V3-10A	Roller (47.5 x 18.2)
12	SA85.V3-12	Swivel Connector (c/w Part 11)
13	MC4500.P5	External Circlip 14.5mm ID
14	SA85.V3-14	Washer
15	SA85.V3-15	Nut
16	SA85.V3-16	Double Ended Bolt
17	SA85.V3-17	Nut
18	SA85.V3-18	Hose Clamp
19	SA85.V3-19	Bolt
20	SA85.V3-20	Nut
21	SA85.V3-21	Carriage Bolt
22	SA85.V3-22	Nut
23	SA85.V3-23	Axle
24	SA85.V3-24	Washer

Item	Part No.	Description
25	SA85.V3-25	Nut
26	SA85.V3-26	Locking Gear Hub
27	SA85.V3-27	Locking Gear
28	SA85.V3-28	Locking Pawl
29	SA85.V3-29	Locking Pawl Axle
30	SA85.V3-30	Locking Pawl Spring
31	SA85.V3-31	Spacer
32	SA85.V3-32	Washer
33	SA85.V3-33	Nut
34	SA85.V3-34	Carriage Bolt
35	SA85.V3-35	Nut
36	SA85.V3-36	Bolt
37	SS816.S	Hex Head Set Screw M8 X 16 Zinc
38	MSP510.S	Machine Screw Pan Head Phillips M5 x 10mm
39	NLN5.S	Nyloc Nut M5 Zinc
40	SA85.V3-40	Hose Stopper
41	MSP630.S	Machine Screw Pan Head Phillips M6 X 30mm
42	SN6.S	Steel Nut M6 Zinc
43	FWM6.S	Flat Washer M6 Zinc
44	SA85.V3-44	Air Hose
--	SA93.12	Feed Hose - 2m x 3/8" (Not Shown)
--	SA841.V2-IH	Air Inlet Hose 3/8" BSPT (Short) (Not Shown)
--	SA85.V3-03A	Complete Spring System (Not Shown)

**NOTE:** It is our policy to continually improve products and as such we reserve the right to alter data, specifications and component parts without prior notice. There may be alternative versions of this product, please contact us should you require this information.

**IMPORTANT:** No liability is accepted for incorrect use of product. Spare parts must be fitted by a competent person

**WARRANTY:** Guarantee is 12 months from purchase date, proof of which will be required for any claim.

Sealey Group, Kempson Way, Suffolk Business Park, Bury St Edmunds, Suffolk. IP32 7AR



01284 757500



sales@sealey.co.uk



www.sealey.co.uk