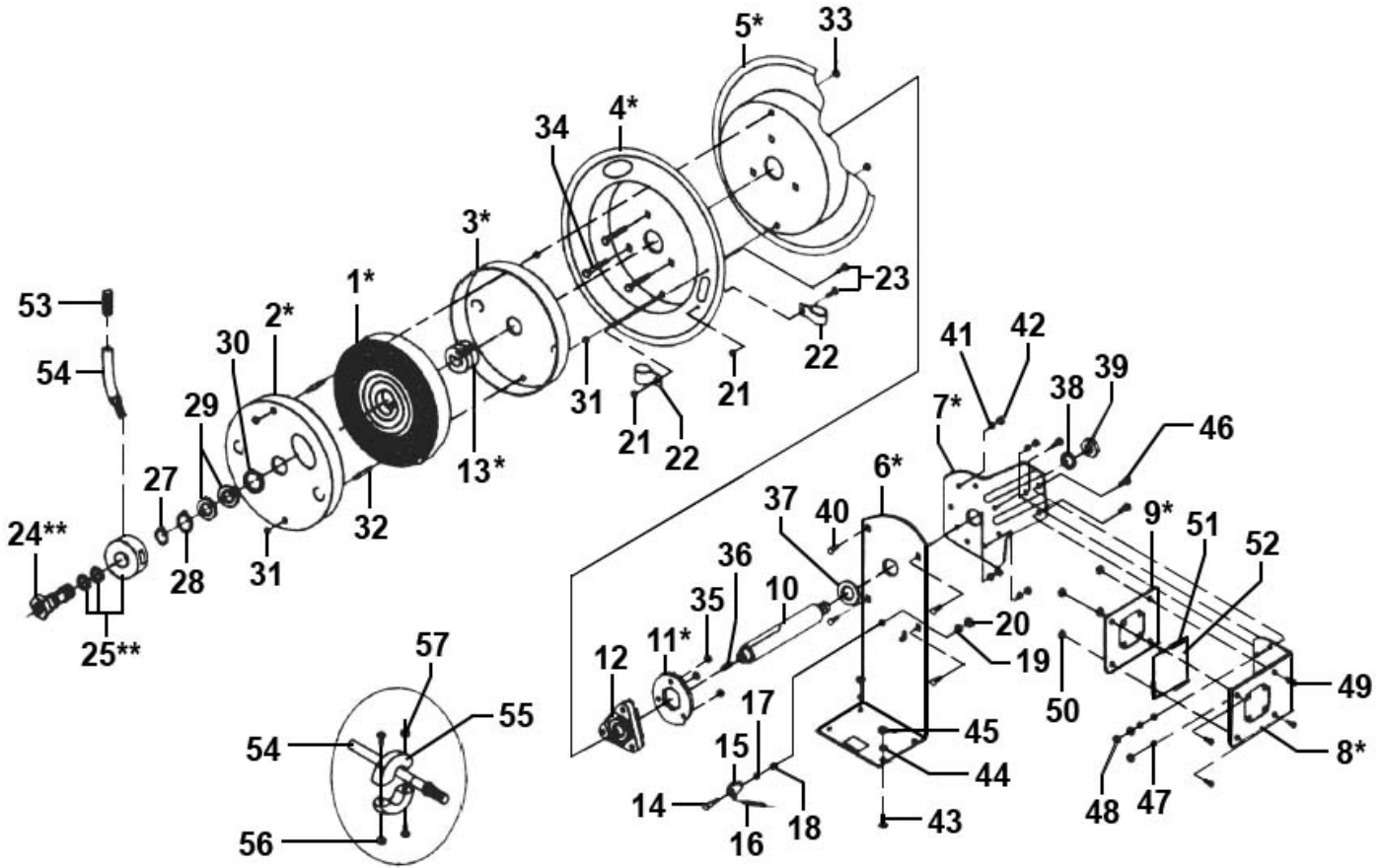




Parts Information:
Retractable Air Hose Metal Reel 15mtr
Ø10mm ID Rubber Hose/ID Hi-Vis TPR
Hose
Model No: SA841 & SA841.V2



Item	Part No.	Description
1	SA841.01	Complete Spring System (Parts 1,2,3,13)
2	SA841.02	Drum Assembly (Parts 2,3,4,5)
6	SA841.06	Base,Arm,Plate & Ring Asm (Parts 6,7,8,9,11)
10	SA841.10	Axle
12	SA841.12	Hub Bearing Assembly
13	SA841.13	Core of Spring
14	SA841.14	Bolt M10x80
15	SA841.15	Cam,Locking
16	SA841.16	Spring Dia 8mm
17	SA841.17	Washer, Spacer (13.5x1.6mm)
18	SA841.18	Washer, Spacer (13.5x6.6mm)
19	SWM10.S	Spring Washer M10 Zinc
20	SN10.S	Steel Nut M10 Zinc
21	SA841.33	Serrated Nuts, Keps 5mm
22	SA841.22	Clamp
23	MSP510.S	Machine Screw Pan Head Phillips M5 x10mm
24	SA84.24-26	Valve Assy

Item	Part No.	Description
27	SA841.27	Retaining Ring (18.5x1mm)
28	3290CX.28	External Circlip 17.4mm ID.
29	FWM18.S	Flat Washer M18 Zinc
30	FWM24.S	Flat Washer M24 Zinc
31	SA841.31	Nut
32	SA841.32	Axle, Threaded, (5x53mm)
33	SA841.33	Serrated Nuts, Keps 5mm
34	SA841.34	Cup Head Square Neck Bolt M6x38
35	SA841.35	Nut,Keps 6mm
36	SA841.36	Set Screw (10x30mm)
37	SA841.37	Sealing ring (25.5x2.5mm)
38	SWM16.S	Spring Washer M16 Zinc
39	SN16.S	Steel Nut M16 Zinc
40	SA841.40	Coach Bolt 5/16 x 3/4 UNC
41	FWM8.S	Flat Washer M8 Zinc
42	NLN8.S	Nyloc Nut M8 Zinc
43	SS1025.S	Hex Head Set Screw M10 X 25 Zinc

NOTE: It is our policy to continually improve products and as such we reserve the right to alter data, specifications and component parts without prior notice. There may be alternative versions of this product, please contact us should you require this information.

IMPORTANT: No liability is accepted for incorrect use of product. Spare parts must be fitted by a competent person

WARRANTY: Guarantee is 12 months from purchase date, proof of which will be required for any claim.

Sealey Group, Kempson Way, Suffolk Business Park, Bury St Edmunds, Suffolk. IP32 7AR



01284 757500



01284 703534



sales@sealey.co.uk



www.sealey.co.uk



Parts Information:
**Retractable Air Hose Metal Reel 15mtr
Ø10mm ID Rubber Hose/ID Hi-Vis TPR
Hose
Model No: SA841 & SA841.V2**

Item	Part No.	Description
44	FWM10.S	Flat Washer M10 Zinc
45	NLN38.UNC	Nyloc Nut 3/8" UNC
46	SA841.46	Hex Head Set Screw 5/16"UNC x 3/4"
47	FWM8.S	Flat Washer M8 Zinc
48	NLN8.S	Nyloc Nut M8 Zinc
49	SA841.49	Bolt M5x9.5
50	SA5.S	Steel Nut M5 Zinc
51	SA841.51	Roller (18.5x36mm) Single
52	SA841.52	Roller Axles(2 @ 6 x 50mm, 2 @ 6 x 85mm)

Item	Part No.	Description
53	SA841.53	Hose Guard
54	SA841.V2-54	Hose-RED (SA841 ONLY)
54	AHFC1538	Hose High-Visibility (SA841HV ONLY)
55	SA841.55	Rubber Bumper Block (Consists Of 2 Halves)
56	MSP625.S	Machine Screw Pan Head Phillips M6 X 25mm
57	SN6.S	Steel Nut M6 Zinc
--	SA841.58	Air Inlet Hose 16.7mm x 970mm (Not Shown)
--	SA841.59	Spacer For Axle (Not Shown)

NOTE: It is our policy to continually improve products and as such we reserve the right to alter data, specifications and component parts without prior notice. There may be alternative versions of this product, please contact us should you require this information.

IMPORTANT: No liability is accepted for incorrect use of product. Spare parts must be fitted by a competent person

WARRANTY: Guarantee is 12 months from purchase date, proof of which will be required for any claim.

Sealey Group, Kempson Way, Suffolk Business Park, Bury St Edmunds, Suffolk. IP32 7AR



01284 757500



01284 703534



sales@sealey.co.uk



www.sealey.co.uk