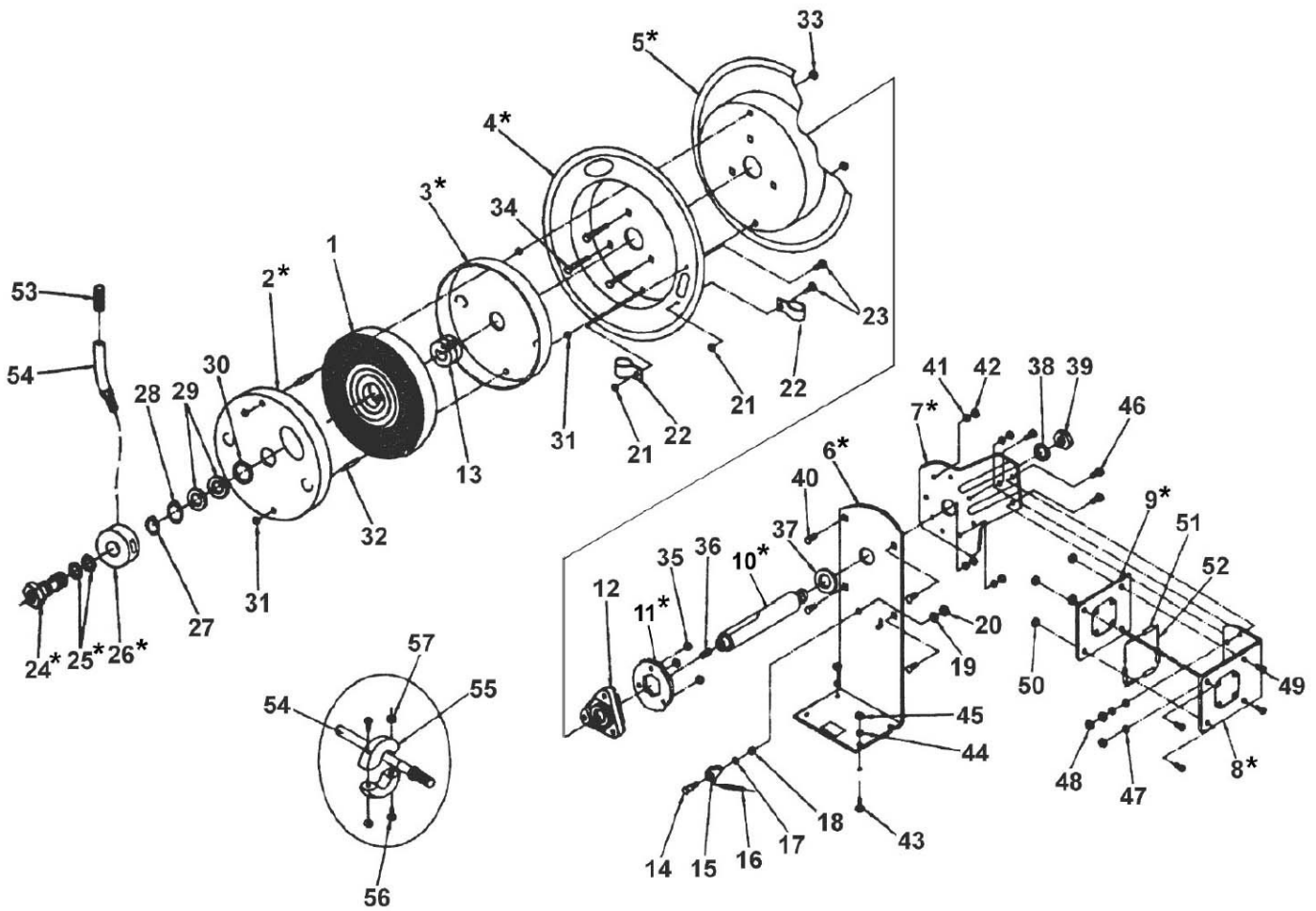


Parts Information:  
**Retractable Air Hose Steel Reel 8m Ø10mm  
 ID Rubber Hose  
 Model No: SA84**



Item	Part No.	Description
1	SA84.01	Complete Spring System
2*	SA84.02-05	Drum Assy
3*	SA84.02-05	Drum Assy
4*	SA84.02-05	Drum Assy
5*	SA84.02-05	Drum Assy
6*	SA84.06-11	Base, Arm, Axle, Plate And Ring Assy
7*	SA84.06-11	Base, Arm, Axle, Plate And Ring Assy
8*	SA84.06-11	Base, Arm, Axle, Plate And Ring Assy
9*	SA84.06-11	Base, Arm, Axle, Plate And Ring Assy
10*	SA84.06-11	Base, Arm, Axle, Plate And Ring Assy
11*	SA84.06-11	Base, Arm, Axle, Plate And Ring Assy
12	SA84.12	Hub Bearing Assy
13	SA84.13	Core Of Spring
14	SA84.14	Bolt
15	SA84.15	Cam, Locking
16	SA84.16	Spring Dia 8.3mm

Item	Part No.	Description
17	SWM8.S	Spring Washer M8 Zinc
18	SA84.18	Washer, Spacer
19	SA84.19	Washer, Lock
20	SN10.S	Steel Nut M10 Zinc
21	SA84.21	Nut
22	SA84.22	Clamp
23	MSP510.S	Machine Screw Pan Head Phillips M5 x10mm
24*	SA84.24-26	Valve Assy
25*	SA84.24-26	Valve Assy
26*	SA84.24-26	Valve Assy
27	HPT150.V2-37	External Circlip 14.5mm ID
28	SA84.28	Spacer Washer Od32.3mm x id19.6mm
29	3290CX.28)	External Circlip 17.4mm ID
30	FWM20.S	Flat Washer M20
31	SA84.31	Nut
32	SA84.32	Double End Thread Axle

**NOTE:** It is our policy to continually improve products and as such we reserve the right to alter data, specifications and component parts without prior notice. There may be alternative versions of this product, please contact us should you require this information.

**IMPORTANT:** No liability is accepted for incorrect use of product. Spare parts must be fitted by a competent person

**WARRANTY:** Guarantee is 12 months from purchase date, proof of which will be required for any claim.



Parts Information:  
Retractable Air Hose Steel Reel 8m Ø10mm  
ID Rubber Hose  
Model No: SA84

Item	Part No.	Description
33	SA84.33	Nut
34	CBN635.S	Coach Bolt M6 x 35mm
35	SA84.35	Nut
36	SA84.36	Set Screw
37	SA84.37	Washer Spacer
38	SWM16.S	Spring Washer M16 Zinc
39	SN16.S	Steel Nut M16 Zinc
40	SA84.40	Cup Head Bolt Square Neck M8x40
41	SA84.41	Washer, Lock
42	NLN8.S	Nyloc Nut M8 Zinc
43	SA84.43	Bolt
44	SA84.44	Washer Spacer
45	SA84.45	Nut
46	SS816.S	Hex Head Set Screw M8 X 16 Zinc
47	FWM8.S	Flat Washer M8 Zinc
48	NLN8.S	Nyloc Nut M8 Zinc
49	MSP510.S	Machine Screw Pan Head Phillips M5 x10mm
50	SN5.S	Steel Nut M5 Zinc

Item	Part No.	Description
51	SA841.51	Roller (18.5x36mm) Single
52	SA84.52	Axle For Roller
53	SA84.53	Guard hose 20mm x 80mm
54	SA84.V2-44	Hose red 10mm x 3/8 bspt m x 1/4 bspt x 8m
55	SA841.55	Rubber Bumper Block (Consists Of 2 Halves)
56	MSP825.S	Machine Screw Pan Head Phillips M8 X 25mm
57	SA84.57	Nut
--	SA85PB	Pivot Base (Not Shown)
--	SA85SP	Swivel Plate (Not Shown)
--	SA84.58	Air Inlet Hose (Not Shown)
--	SA84.06	Base (Not Shown)
--	SA84.07	Arm (Not Shown)
--	SA84.08	Front Plate (Not Shown)
--	SA84.09	Rear Plate (Not Shown)
--	SA84.10	Axle (Not Shown)
--	SA84.11	Ring Assembly (Not Shown)
--	SA84.01A	Spring (Not Shown)

**NOTE:** It is our policy to continually improve products and as such we reserve the right to alter data, specifications and component parts without prior notice. There may be alternative versions of this product, please contact us should you require this information.

**IMPORTANT:** No liability is accepted for incorrect use of product. Spare parts must be fitted by a competent person

**WARRANTY:** Guarantee is 12 months from purchase date, proof of which will be required for any claim.

Sealey Group, Kempson Way, Suffolk Business Park, Bury St Edmunds, Suffolk. IP32 7AR



01284 757500



01284 703534



sales@sealey.co.uk



www.sealey.co.uk