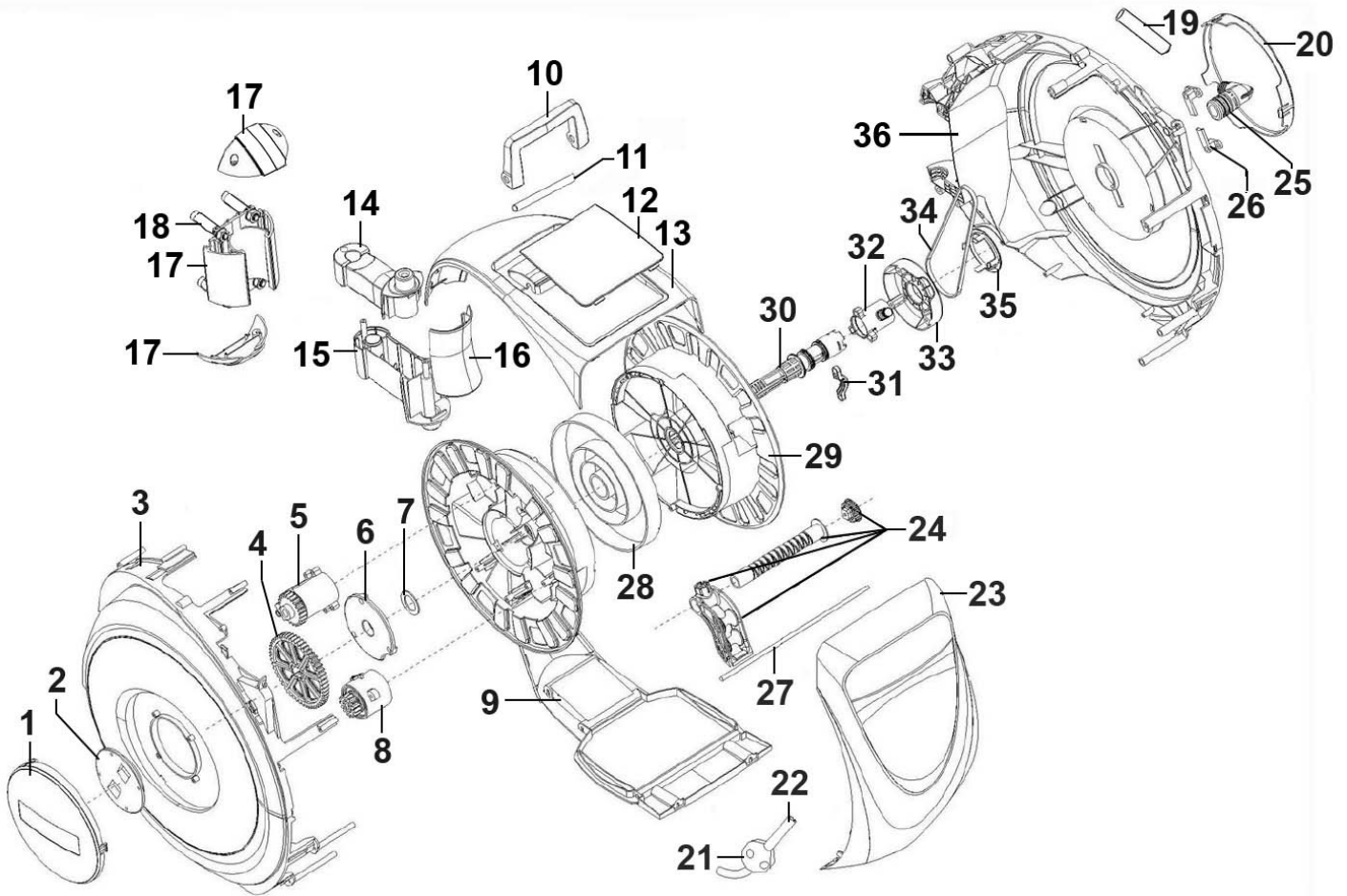


Parts Information:  
**Auto Rewind Control Air Hose Reel 20mtr**  
**Ø10mm ID - Rubber Hose**  
**Model No: SA823**



| Item | Part No. | Description            |
|------|----------|------------------------|
| 1    | SA823.01 | Side Cover (Left)      |
| 2    | SA823.02 | Tension Cover          |
| 3    | SA823.03 | Left Side Casing       |
| 4    | SA823.04 | Gear                   |
| 5    | SA823.05 | Retracting Ass'y       |
| 6    | SA823.06 | Support Cover          |
| 7    | SA823.07 | Gasket                 |
| 8    | SA823.08 | Lockable Device        |
| 9    | SA823.09 | Bottom Casing          |
| 10   | SA823.10 | Handle                 |
| 11   | SA823.11 | Handle Shaft           |
| 12   | SA823.12 | Top Cover              |
| 13   | SA823.13 | Top Casing             |
| 14   | SA823.14 | Upper Swivel Cover     |
| 15   | SA823.15 | Lower Swivel Cover     |
| 16   | SA823.16 | Cover For Swivel       |
| 17   | SA823.17 | Wall Mount (C/w Cover) |
| 18   | SA823.18 | Bolt                   |

| Item | Part No. | Description               |
|------|----------|---------------------------|
| 19   | SA823.19 | Air Input Hose            |
| 20   | SA823.20 | Side Cover (Right)        |
| 21   | SA823.21 | Stop Ball                 |
| 22   | SA823.22 | Air Output Hose 20m (4kg) |
| 23   | SA823.23 | Front Cover               |
| 24   | SA823.24 | Racking Ass'y             |
| 25   | SA823.25 | Inlet Connector           |
| 26   | SA823.26 | Shaft Lock                |
| 27   | SA823.27 | Shaft For Racking Ass'y   |
| 28   | SA823.28 | Main Spring               |
| 29   | SA823.29 | Drum                      |
| 30   | SA823.30 | Main Shaft                |
| 31   | SA823.31 | Clamp                     |
| 32   | SA823.32 | Outlet Connector          |
| 33   | SA823.33 | Gear Wheel                |
| 34   | SA823.34 | Belt, Rubber Toothed      |
| 35   | SA823.35 | Fixed Guard               |
| 36   | SA823.36 | Right Side Casing         |

**NOTE:** It is our policy to continually improve products and as such we reserve the right to alter data, specifications and component parts without prior notice. There may be alternative versions of this product, please contact us should you require this information.

**IMPORTANT:** No liability is accepted for incorrect use of product. Spare parts must be fitted by a competent person

**WARRANTY:** Guarantee is 12 months from purchase date, proof of which will be required for any claim.