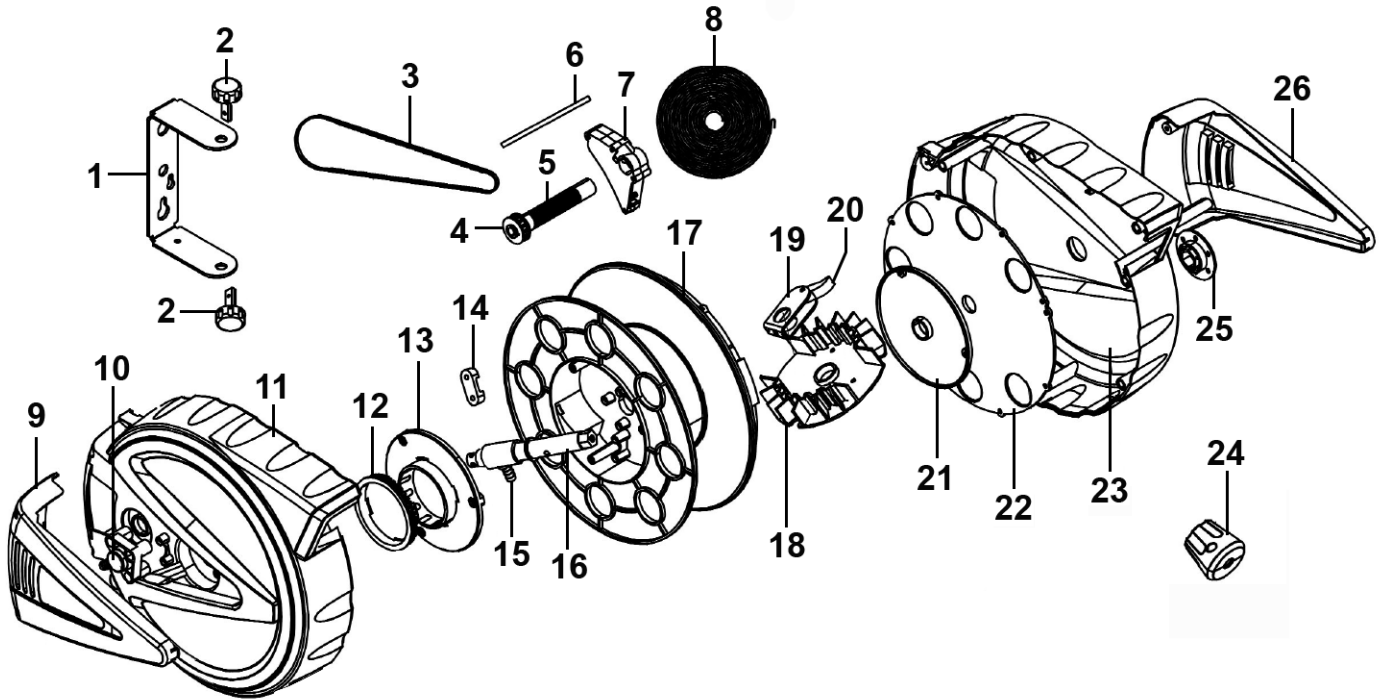


Parts Information:
**Retractable Air Hose Reel 10mtr 8mm ID
 PU Hose
 Model No: SA813.V2**



Item	Part No.	Description
1	SA814.V2-01	Wall Bracket
2	SA814.V2-02	Wall Bracket Pin
3	SA814.V2-03	Belt
4	SA814.V2-04	Small Gear
5	SA814.V2-05	Shaft
6	SA814.V2-06	Axle
7	SA813.V2-07	Rack Ass'y
8	SA814.V2-08	Spring
9	SA814.V2-09	Left Hand Case Cover
10	SA814.V2-10	Inlet Hose Connector
11	SA814.V2-11	Left Hand Case
12	SA813.V2-12	Gear
13	SA813.V2-13	Gear Return Plate
14	SA814.V2-13	Clip
15	SA814.V2-14	Inner Hose Connector
16	SA813.V2-16	Main Shaft

Item	Part No.	Description
17	SA814.V2-16	Drum
18	SA814.V2-17	Ratchet
19	SA814.V2-18	Ratchet Bracket
20	SA814.V2-19	Ratchet Pawl
21	SA814.V2-20	Spring Inner Cover
22	SA814.V2-21	Spring Outer Cover
23	SA814.V2-22	Right Hand Case
24	SA814.V2-25	Stop Ball
25	SA814.V2-23	Tension Cover
26	SA814.V2-24	Right Hand Cover
--	SA813.V2-H	Hose 10mtr (Not Shown)
--	SA813.V2-H2	Air inlet Hose 12mm x 110mm (Not Shown)
--	SA813.V2-HCF	Hose Connector Female (Not Shown)
--	SA813.V2-HC	Hose Connector Male (Not Shown)
--	SA812.V2-HC2	Hose Clamp (x 2 In Pack) (Not Shown)

NOTE: It is our policy to continually improve products and as such we reserve the right to alter data, specifications and component parts without prior notice. There may be alternative versions of this product, please contact us should you require this information.

IMPORTANT: No liability is accepted for incorrect use of product. Spare parts must be fitted by a competent person

WARRANTY: Guarantee is 12 months from purchase date, proof of which will be required for any claim.