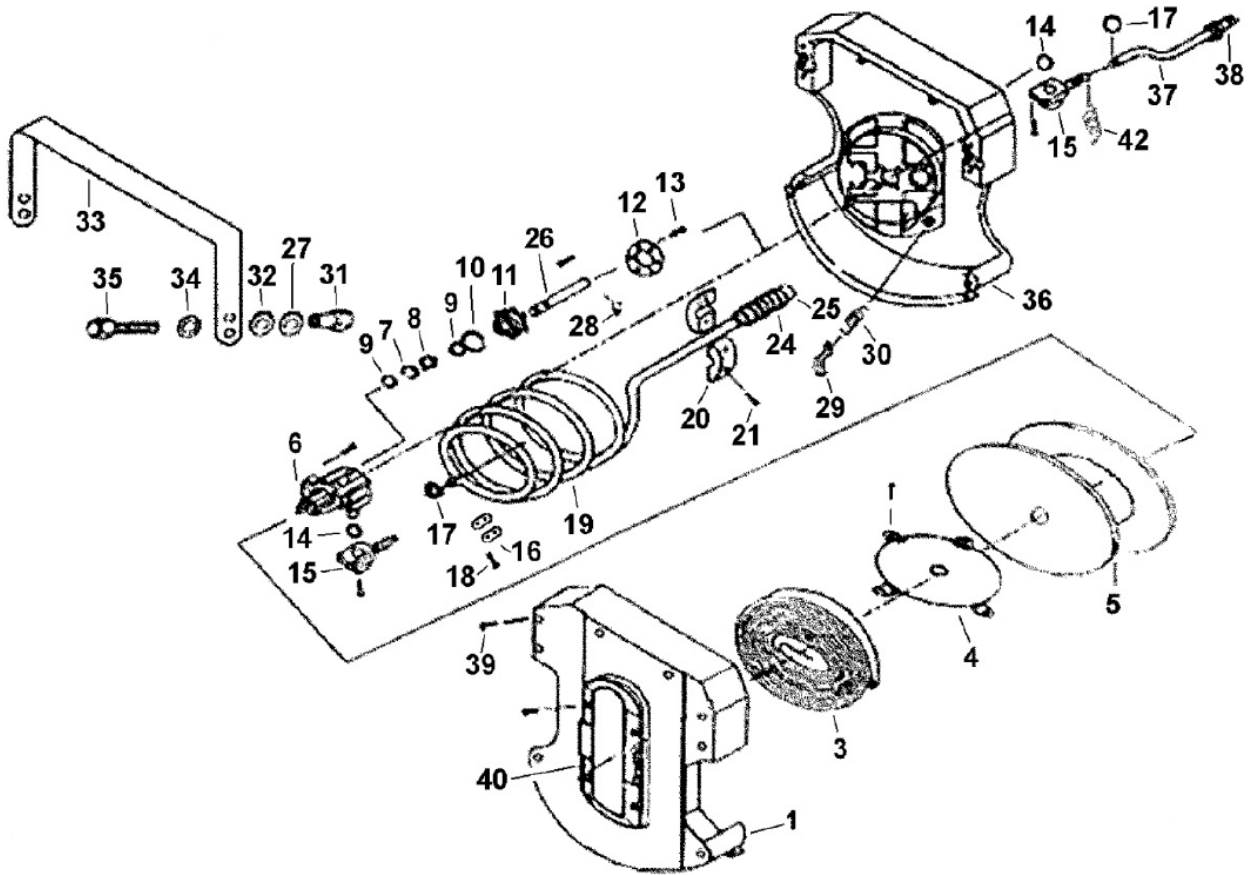


Parts Information:  
**Retractable Air Hose Reel 8mtr Ø8mm ID**  
**Polyurethane Hose**  
**Model No: SA813**



Item	Part No.	Description
1	SA810.01	Left Cover
3	SA810.03	Spring
4	SA810.04	Spring Cover
5	SA810.05	Seat
6	SA810.06	Axle
7	SA810.07	Spacer
8	SA810.08	Collar
9	SA810.09	O-Ring
10	SA810.10	O-Ring, (Ex: 28.28 In: 23.74 Cs: 2.27)
11	SA810.11	Cover
12	SA810.12	Spacer
13	SA810.13	Screw
14	SA810.14	O-Ring, (Ex: 12.38 In: 7.98 Cs: 2.20)
15	SA810.15	Connector
16	SA810.16	Clip
17	SA810.17	Hose Clamp
18	SA810.18	Screw
19	SA813.19	Air Hose 8m x 8mm
20	SA810.20	Clip (C/w Screw)

Item	Part No.	Description
21	SA810.21	Screw
24	SA810.24	Rubber Sleeve
26	SA810.26	Axle
27	SWM14.S	Spring Washer M14 Zinc
28	SA810.28	Collar
29	SA810.29	Pawl
30	SA810.30	Spring Dia 5.9mm
31	SA810.31	Collared Nut
32	SA810.32	Plastic Spacer, Thin.
33	SA810.33	Shelf
34	SA810.34	Plastic Spacer, Thick
35	SA810.35	Screw
36	SA810.36	Right Cover
37	SA810.37	Inlet Hose 11mm x 15mm x 800mm
39	SA810.39	Screw
40	SA810.40	Cover
42	SA810.42	Spring
--	SA813.25	Connector (Not Shown)
--	SA813.38	Connector (Not Shown)

**NOTE:** It is our policy to continually improve products and as such we reserve the right to alter data, specifications and component parts without prior notice. There may be alternative versions of this product, please contact us should you require this information.

**IMPORTANT:** No liability is accepted for incorrect use of product. Spare parts must be fitted by a competent person

**WARRANTY:** Guarantee is 12 months from purchase date, proof of which will be required for any claim.