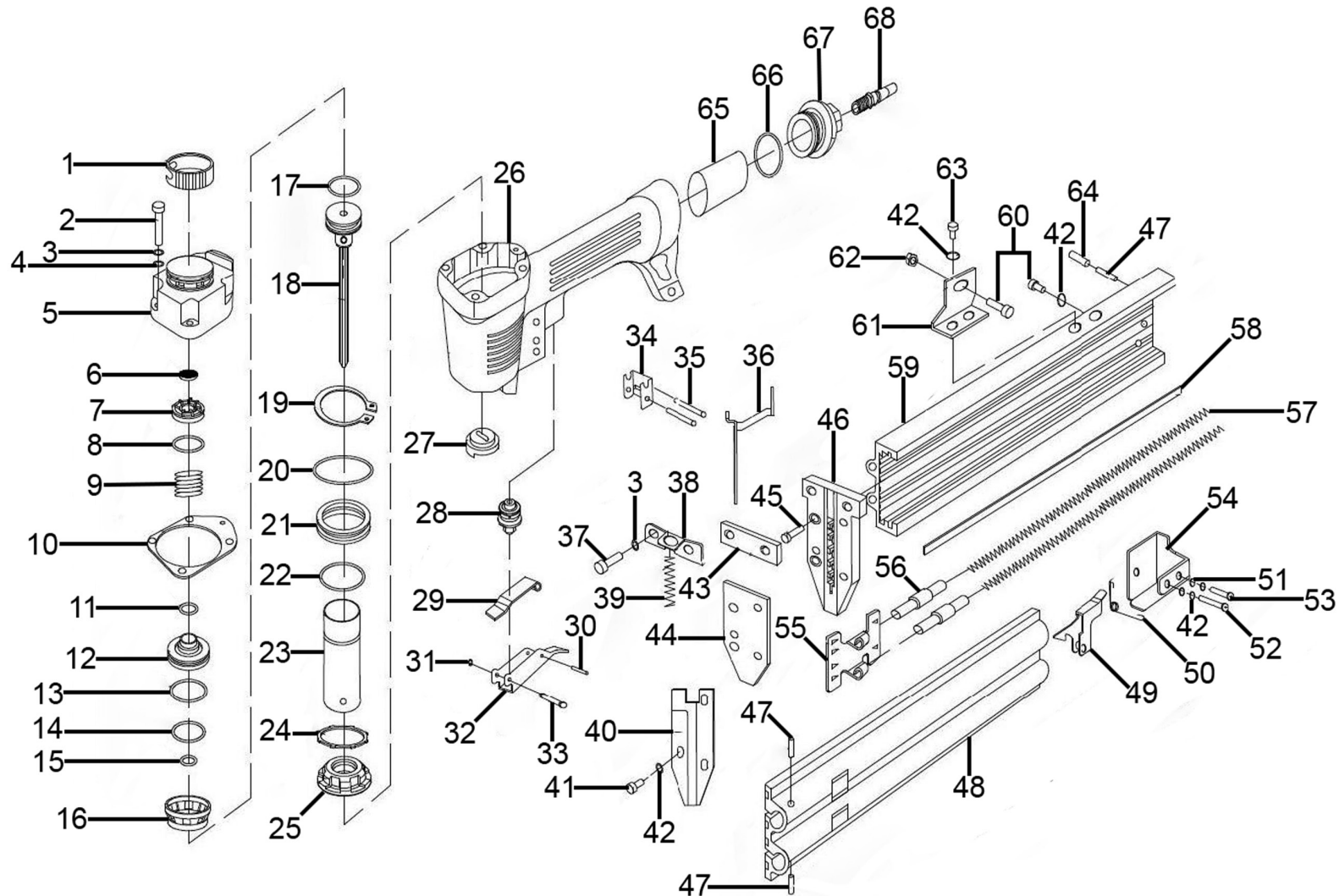




Parts Information:  
**Air Nail Gun 15-50mm Capacity**  
**Model No: SA791.V2**



**NOTE:** It is our policy to continually improve products and as such we reserve the right to alter data, specifications and component parts without prior notice.

There may be alternative versions of this product, please contact us should you require this information.

**IMPORTANT:** No liability is accepted for incorrect use of product. Spare parts must be fitted by a competent person

**WARRANTY:** Guarantee is 12 months from purchase date, proof of which will be required for any claim.

Sealey Group, Kempson Way, Suffolk Business Park, Bury St Edmunds, Suffolk. IP32 7AR



01284 757500



01284 703534



sales@sealey.co.uk



www.sealey.co.uk



Parts Information:  
**Air Nail Gun 15-50mm Capacity**  
**Model No: SA791.V2**

Item	Part No.	Description
1	SA792.V3-01	Exhaust Cover
2	SA792.V3-02	Hex Bolt M5 x 25mm
3	SA792.V3-03	Spring Washer M5
4	SA792.V3-04	Flat Washer M5
5	SA792.V3-05	Air Cap
6	SA792.V3-06	Cap Seal
7	SA792.V3-07	Seal
8	SA792.V3-08	O-Ring
9	SA792.V3-09	Compressed Spring
10	SA792.V3-10	Cylinder Cap Gasket
11	WK025.V2-31	O-Ring
12	SA792.V3-12	Head Valve Piston
13	SA792.V3-13	O-Ring
14	SA51/13	O-Ring
15	AVR2500A.P22	O-Ring
16	SA792.V3-16	Collar
17	SA792.V3-17	O-Ring
18	SA791.V2-18	Driver Blade Unit
19	SA792.V3-19	Circlip
20	SA792.V3-22	O-Ring
21	SA792.V3-21	Seal
22	SA789.V2-22	O-Ring
23	SA792.V3-23	Cylinder
24	SA792.V3-24	Gasket
25	SA792.V3-25	Bumper
26	SA792.V3-26	Body
27	SA792.V3-27	Bung
28	SA792.V3-28	Air Switch Valve Unit
29	SA792.V3-29	Trigger Lever
30	SA791.V2-30	Pin
31	SA791.V2-31	O-Ring
32	SA791.V2-32	Trigger
33	SA791.V2-33	Pin
34	SA791.V2-34	Safety Guide
35	SA791.V2-35	Spring Pin

Item	Part No.	Description
36	SA791.V2-36	Safety
37	SA791.V2-37	Hex. Bolt M5 x 22mm
38	SA791.V2-38	Spring Seat
39	SA791.V2-39	Spring
40	SA791.V2-40	Safety Cover
41	SA791.V2-41	Hex. Bolt M4 x 8mm
42	SA791.V2-42	Washer M4
43	SA791.V2-43	Lock Plate
44	SA791.V2-44	Driver Guide Cover
45	SA791.V2-45	Hex. Bolt M4 x 14mm
46	SA791.V2-46	Driver Guide
47	SA791.V2-47	Spring Pin
48	SA791.V2-48	Side Cover
49	SA791.V2-49	Magazine Latch
50	SA791.V2-50	Torsion Spring
51	SA791.V2-51	Seal
52	MSP430.SB	Machine Screw Pan Head Phillips M4 x 30mm Black
53	MSP416.SB	Machine Screw Pan Head Phillips M4 x 16mm Black
54	SA791.V2-54	Tail Cover
55	SA791.V2-55	Pusher
56	SA791.V2-56	Pusher Holder
57	SA791.V2-57	Spring
58	SA791.V2-58	Nail Guide
59	SA791.V2-59	Magazine
60	SA791.V2-60	Hex. Bolt M5 x 18mm
61	SA791.V2-61	Tail Hanger
62	NLN5.S	Nyloc Nut M5
63	SA791.V2-63	Hex. Bolt M4 x 8mm
64	SA791.V2-64	Spring Pin
65	SA791.V2-65	Head Grip
66	SA791.V2-66	O-Ring
67	SA791.V2-67	End Cap
68	SA791.V2-68	Air Plug

**NOTE:** It is our policy to continually improve products and as such we reserve the right to alter data, specifications and component parts without prior notice. There may be alternative versions of this product, please contact us should you require this information.

**IMPORTANT:** No liability is accepted for incorrect use of product. Spare parts must be fitted by a competent person

**WARRANTY:** Guarantee is 12 months from purchase date, proof of which will be required for any claim.

**Sealey Group**, Kempson Way, Suffolk Business Park, Bury St Edmunds, Suffolk. IP32 7AR



01284 757500



01284 703534



sales@sealey.co.uk



www.sealey.co.uk