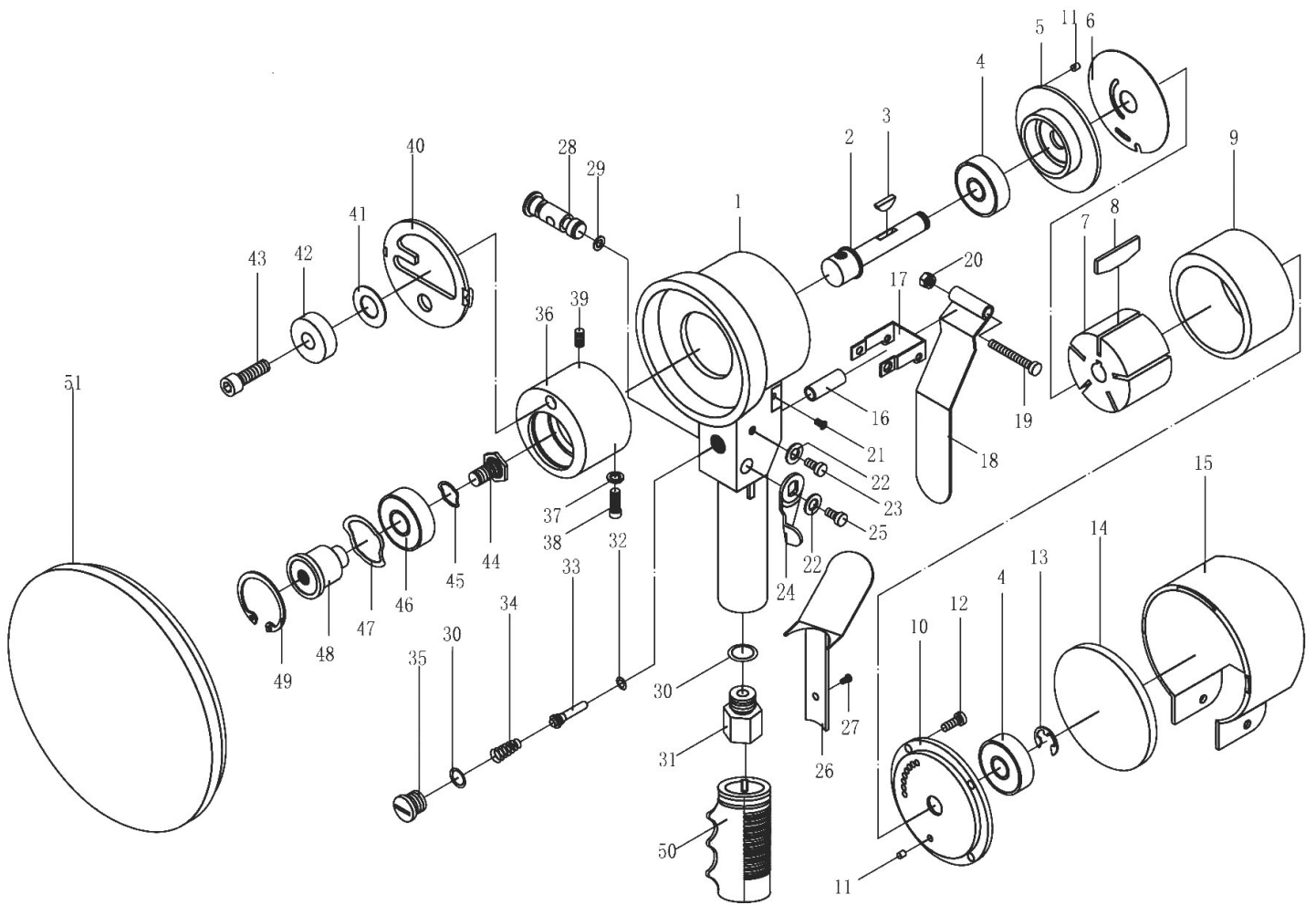




Parts Information:
Air Sander 150mm Random Orbital
Model No: SA77.V3



NOTE: It is our policy to continually improve products and as such we reserve the right to alter data, specifications and component parts without prior notice.

IMPORTANT: No liability is accepted for incorrect use of product.

WARRANTY: Guarantee is 12 months from purchase date, proof of which will be required for any claim.

Sealey Group, Kempson Way, Suffolk Business Park, Bury St Edmunds, Suffolk. IP32 7AR



01284 757500



01284 703534



sales@sealey.co.uk



www.sealey.co.uk



Parts Information:
Air Sander 150mm Random Orbital
Model No: SA77.V3

Item	Part No.	Description
1	SA77S.V3-01	HOUSING
2	SA77S.V3-02	WORK SPINDLE
3	SA77S.V3-03	WOODRUFF KEY
4	B/6200ZZ	BEARING 6200ZZ
5	SA77S.V3-05	FRONT PLATE
6	SA77S.V3-06	FLAT DISC WITH CUT-OUTS
7	SA77S.V3-07	ROTOR
8	SA77S.V3-08	ROTOR BLADE
9	SA77S.V3-09	CYLINDER
10	SA77S.V3-10	END PLATE
11	SA77S.V3-11	PIN
12	SA77S.V3-12	SCREW
13	SA77S.V3-13	RETAINING RING
14	SA77S.V3-14	MUFFLER
15	SA77S.V3-15	END COVER
16	SA77S.V3-16	BUSHING
17	SA77S.V3-17	BRACKET
18	SA77S.V3-18	TRIGGER
19	SA77S.V3-19	TRIGGER SCREW
20	NLN4.S	NYLOC NUT M4 ZINC DIN 985 (SINGLE)
21	MSC48.S	CSK PHILLIPS MACHINE SCREW M4x8 (SINGLE)
22	FWM4.S	FLAT WASHER M4 SINGLE
23	SA77S.V3-23	SCREW
24	SA77S.V3-24	LEVER
25	SA77S.V3-25	SCREW
26	SA77S.V3-26	SPRING-BACK PLATE
27	SA77S.V3-27	RIVET
28	SA77S.V3-28	AIR REGULATOR

Item	Part No.	Description
29	SA77S.V3-29	O-RING
30	SA77S.V3-30	O-RING
31	SA77S.V3-31	AIR INLET
32	SA77S.V3-32	O-RING
33	SA77S.V3-33	VALVE STEM
34	SA77S.V3-34	SPRING
35	SA77S.V3-35	SCREW CAP
36	SA77S.V3-36	BALANCER
37	SWM5.S	SPRING WASHER M5 ZINC (SINGLE)
38	SCB525.SB	SOCKET HEAD CAP SCREW M5x25 BLACK
39	GSM616.S	GRUB SCREW M6x16 (SINGLE)
40	SA77S.V3-40	RETAINER PLATE
41	SA77S.V3-41	WAVY WASHER
42	SA77S.V3-42	SPINDLE LOCK
43	SA77S.V3-43	CAP SCREW
44	SA77S.V3-44	SCREW
45	SA77S.V3-45	WAVE WASHER
46	B/6201ZZ	BEARING 6201ZZ
47	SA77S.V3-47	WAVE WASHER
48	SA77S.V3-48	DRIVE SPINDLE
49	SA77S.V3-49	RETAINING RING
50	SA77S.V3-50	RUBBER GRIP
51	SA77S.V3-51	PAD
--	PTC/150VA	DA PAD for HOOK & LOOP DISCS 145mm 5/16" (NOT SHOWN)
--	PTC/150A	DA PAD for STICK-ON DISCS 148mm 5/16"UNF (NOT SHOWN)
--	PTC/150SA	DA PAD for STICK-ON DISCS 145mm 5/16"UNF (NOT SHOWN)

NOTE: It is our policy to continually improve products and as such we reserve the right to alter data, specifications and component parts without prior notice.

IMPORTANT: No liability is accepted for incorrect use of product.

WARRANTY: Guarantee is 12 months from purchase date, proof of which will be required for any claim.

Sealey Group, Kempson Way, Suffolk Business Park, Bury St Edmunds, Suffolk. IP32 7AR



01284 757500



01284 703534



sales@sealey.co.uk



www.sealey.co.uk