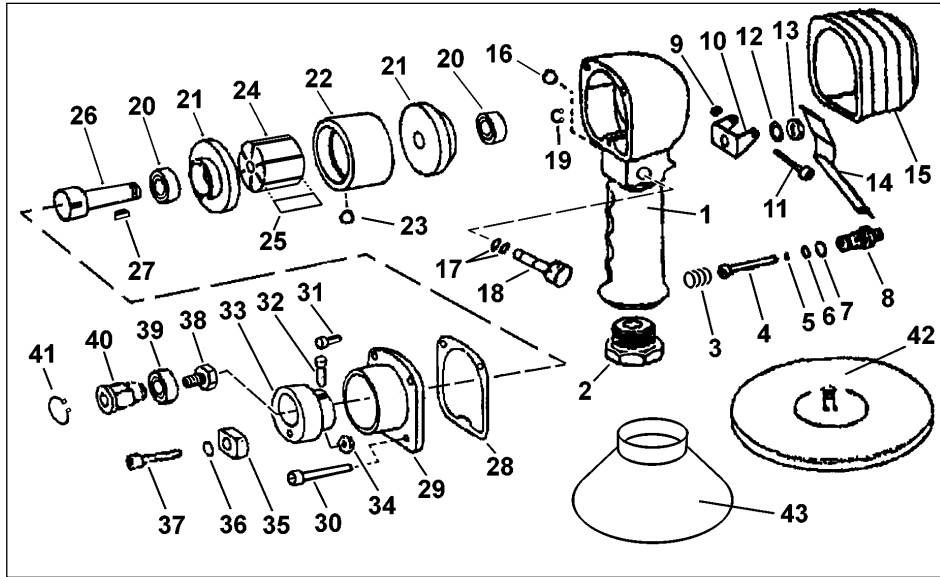


PARTS LIST FOR: RANDOM ORBITAL SANDER

Model: **SA7SY**



Item	Part No.	Description	Item	Part No.	Description
1	SA7SY/01	Motor Housing with Grip Handle	22	SA7SY/22	Cylinder
2	SA7SY/02	Hose Adaptor	23	SA7SY/23	Ball
3	SA7SY/03	Throttle Valve Spring	24	SA7SY/24	Rotor
4	SA7SY/04	Throttle Valve Shaft	25	SA7SY/25	Rotor Blade
5	SA7SY/05	O-Ring	26	SA7SY/26	Rotor Shaft
6	SA7SY/06	O-Ring	27	SA7SY/27	Key
7	SA7SY/07	O-Ring	28	SA7SY/28	Gasket
8	SA7SY/08	Valve Body	29	SA7SY/29	Drive Housing
9	SA7SY/09	Hex Nut	30	SA7SY/30	Cap Screw
10	SA7SY/10	Bracket	31	SA7SY/31	Cap Screw
11	SA7SY/11	Screw	32	SA7SY/32	Cap Screw
12	SA7SY/12	Lock Washer	33	SA7SY/33	Orbital Hub
13	SA7SY/13	Hex Nut	34	SA7SY/34	Hex Nut
14	SA7SY/14	Throttle Lever	35	SA7SY/35	Spindle Lock
15	SA7SY/15	Housing Cover	36	SA7SY/36	Spring Washer
16	SA7SY/16	Retaining Ring	37	SA7SY/37	Cap Screw of Spindle Lock
17	SA7SY/17	O-ring	38	SA7SY/38	Hex Screw
18	SA7SY/18	Regulator Valve	39	SA7SY/39	Ball Bearing
19	SA7SY/19	Retaining Ring	40	SA7SY/40	Drive Spindle
20	SA7SY/20	Bearing	41	SA7SY/41	Retaining Ring
21	SA7SY/21	End Plate	42	SA7SY/42	Pad
			43	SA7SY/43	Finger Guard

Original Date: 141200
Issue Date: 291200
Version No: 2
Date Modified: 020101

NOTE: It is our policy to continually improve products and as such we reserve the right to alter data, specifications and component parts without prior notice. **IMPORTANT:** No liability is accepted for incorrect use of this equipment. **WARRANTY:** Guarantee is 12 months from purchase date, proof of which will be required for any claim. **INFORMATION:** For a copy of our latest catalogue and promotions call us on 01284 757525 and leave your full name and address, including postcode.



INSTRUCTIONS FOR:

RANDOM ORBITAL SANDER

Model: **SA7SY**

Thank you for purchasing a Sealey Product. Manufactured to a high standard this product will, if used according to these instructions and properly maintained, give you years of trouble free performance.

IMPORTANT: PLEASE READ THESE INSTRUCTIONS CAREFULLY. NOTE THE SAFE OPERATIONAL REQUIREMENTS, WARNINGS AND CAUTIONS. USE THIS PRODUCT CORRECTLY AND WITH CARE FOR THE PURPOSE FOR WHICH IT IS INTENDED. FAILURE TO DO SO MAY CAUSE DAMAGE AND/OR PERSONAL INJURY AND WILL INVALIDATE THE WARRANTY. PLEASE KEEP INSTRUCTIONS SAFE FOR FUTURE USE.

1. SAFETY INSTRUCTIONS

- ⚠ **WARNING!** Ensure Health & Safety, local authority, and general workshop practice regulations are adhered to when using this equipment.
- ⚠ **WARNING!** Disconnect from air supply before changing accessories or servicing.
- 3 Maintain the sander in good condition (use an authorised service agent).
- 3 Replace or repair damaged parts. Use genuine parts only. Unauthorised parts may be dangerous and will invalidate the warranty.
- 3 Use in a suitable, clean and tidy work area, free from unrelated materials. Ensure there is adequate lighting.
- 3 Before each use check abrasive pads for condition. If worn or damaged replace immediately.
- 3 Ensure the abrasive pad RPM rating is the same as, or greater than, the RPM rating of the sander.
- 3 Ensure there are no flammable or combustible materials near the work area.
- ⚠ **WARNING!** Always wear approved eye or face and hand protection when operating the sander.
- 3 Use face, dust, or respiratory protection in accordance with COSHH regulations.
- 3 Depending on the task, sander noise level may exceed 85dB in which case wear safety ear defenders.
- 3 Remove ill fitting clothing. Remove ties, watches, rings, other loose jewellery and contain and/or tie back long hair.
- 3 Wear appropriate protective clothing and keep hands and body clear of working parts.
- 3 Maintain correct balance and footing. Ensure the floor is not slippery and wear non-slip shoes.
- 3 Keep children and unauthorised persons away from the working area.
- 3 Check moving parts alignment on a regular basis.
- 3 Ensure workpiece is secure before operating the sander. Never hold a workpiece by hand.
- 3 Avoid unintentional starting.
- ⚠ **WARNING!** Ensure correct air pressure is maintained and not exceeded. Recommended pressure 70-90psi
- 3 Keep air hose away from heat, oil and sharp edges. Check air hose for wear before each use and ensure that all connections are secure.
- 3 Prolonged exposure to vibration from this sander poses a health risk. It is the owner's responsibility to correctly assess the potential hazard and issue guidelines for safe periods of use and offer suitable protective equipment.
- 7 **DO NOT** use the sander for a task it is not designed to perform.
- 7 **DO NOT** operate sander if any parts are damaged or missing as this may cause failure and/or personal injury.
- 7 **DO NOT** use cloth backed sanding pads. Use only appropriate paper adhesive pads, following pad instructions.
- ⚠ **WARNING!** **DO NOT** sand any materials containing asbestos.
- 7 **DO NOT** carry the sander by the hose, or yank the hose from the air supply.
- 7 **DO NOT** force, or apply heavy pressure to the sander, let the sander do the work.
- 7 **DO NOT** place air line attachments close to your face and do not point the air line at other persons or animals.
- 7 **DO NOT** operate sander when you are tired, under the influence of alcohol, drugs or intoxicating medication.
- 7 **DO NOT** use sander where there are flammable liquids, solids or gases, such as paint solvents and including waste wiping or cleaning rags etc.
- 7 **DO NOT** carry the sander with your finger on the power lever.
- 7 **DO NOT** direct air from the air hose at yourself or others.
- 3 When not in use disconnect from air supply and store in a safe, dry, childproof location.

SEALEY POWER TOOLS Sole UK Distributor, Sealey Group, Bury St. Edmunds, Suffolk.
01284 757500 01284 703534 E-mail: sales@sealey.co.uk

1.2. LEAD PAINT WARNING!

Paint once contained lead as a traditional ingredient. Contact with the dust from the removal of such paint is toxic and must therefore be avoided. The following action must be taken before using the sander on a surface that you suspect may contain lead paint.

1. User must determine potential hazard relating to age of paint to be removed (modern paints do not have lead content).
2. **DANGER!** Keep all persons and pets away from the working area. The following are particularly vulnerable to the effects of lead paint dust: *Expectant women, babies and children.*
3. We recommend personal protection by using the following safety items:
 - a) Paint Spray Respirator (Our ref SSP16EN)
 - b) PE Coated Hooded Coverall (Our ref SSP266).
 - c) Latex Gloves (Our ref SSP24).
4. Take adequate measures to contain the paint dust, flakes and scrapings.
5. Continue to wear safety equipment as in (3) above and thoroughly clean all areas when task is complete. Ensure paint waste is disposed of in sealed bags or containers.

2. INTRODUCTION & SPECIFICATION

The SA7T has an internally chromed cylinder and precision bearings for super-smooth operation. The sander is fitted with an air-flow control valve and housing insulation to prevent hand-chill.

Pad Size150mm
Thread Size5/16"UNF
Free Speed10000rpm
Operating Pressure90psi

Air Consumption4cfm
Air Inlet1/4"BSP
Weight2kg
Vibration3.06M/s²

3. PREPARING SANDER FOR USE

3.1. Air Supply

- 3.1.1. Ensure the sander air valve (or throttle) is in the "off" position before connecting to the air supply.
- 3.1.2. You will require an air pressure between 70-90psi, and an air flow according to the specification above.
- 3.1.3. **WARNING!** Ensure the air supply is clean and does not exceed 90psi while operating the sander. Too high an air pressure and unclean air will shorten the product life due to excessive wear, and may be dangerous, causing damage and/or personal injury.
- 3.1.4. Drain the air tank daily. Water in the air line will damage the sander **and will invalidate your warranty.**
- 3.1.5. Clean air inlet filter weekly. Recommended hook-up is shown in fig. 1.
- 3.1.6. Line pressure should be increased to compensate for unusually long air hoses (over 8 metres). The minimum hose diameter should be 1/4" I.D. and fittings must have the same bore dimension.
- 3.1.7. Keep hose away from heat, oil and sharp edges. Check hoses for wear, and make certain that all connections are secure.

3.2. Couplings

Vibration may cause failure if a quick change coupling is connected directly to the air sander. To overcome this, connect a leader hose to the sander. A quick change coupling may then be used to connect the leader hose to the air line recoil hose. See figs. 1 & 2.

fig. 1

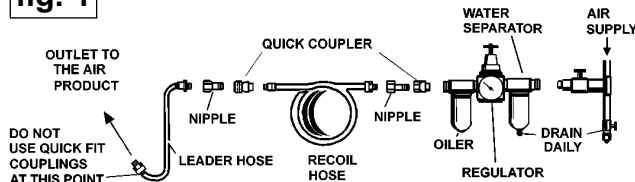
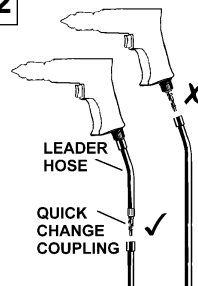


fig. 2



4. OPERATING INSTRUCTIONS

WARNING! Ensure you read, understand and apply safety instructions.
Note: Numbers in brackets refer to item numbers on the parts diagram.

4.1. Assembly

- 4.1.1. Stretch-fit finger guard (43) over drive housing (29 & fig.3.C), **not** onto orbital hub (33). Engage ridge on finger cover with groove in motor cover.
- 4.1.2. Remove protective sleeve from sanding pad (42) thread and screw pad into pad mounting shaft (fig. 3. B)
- 4.1.3. Apply appropriate sanding pad to the backing disc. Use only pads with speed ratings equal to, or higher than, the speed rating of the sander. **DO NOT** use cloth backed sanding pads.
- 4.1.4. Connect air supply to sander and press the control valve lever to check that the sander is working correctly.
- 4.1.5. The air flow may be regulated by turning the control knob on the side at the head of the handle.

4.2. Operation

The sander is designed to provide a combined "rotary" and "random orbit" action.

Always use a grit pad grade appropriate to the job. Work progressively from coarse grades to finer grades. **DO NOT** go from coarse to fine in one step as it may be difficult to remove swirl marks left by the coarser grit. **DO NOT** apply excessive pressure, let the sander do the work for you. Start the sander and bring the sanding disc to the the work surface smoothly and slowly. Move the sander back and forth in overlapping areas. Remove the sanding disc from the work surface before stopping the sander. Regularly check the sanding pad for wear, always changed a cracked or damaged pad.

DO NOT allow sander to run "free" for an extended period of time as this will shorten bearing life.

5. MAINTENANCE

WARNING! Disconnect sander from air supply before changing accessories, servicing or performing maintenance. Replace or repair damaged parts. *Use genuine parts only. Unauthorised parts may be dangerous and will invalidate the warranty.*

- 5.1. If air supply does not have an oiler, lubricate the air sander daily (before and after use), with a few drops of good quality air tool oil, Sealey ATO/500 or ATO1000, dripped into the air inlet, to prolong life of bearings.
- 5.2. Clean the sander after use and change pads when required.
- 5.3. Loss of power or erratic action may be due to the following:
 - a) Excessive drain on the air supply. Moisture or restriction in the air pipe. Incorrect size or type of hose connectors. To remedy check the air supply and follow instructions in Section 3.
 - b) Grit or gum deposits in the sander may also reduce performance. If your model has an air strainer (located in the area of the air inlet), remove the strainer and clean it. Flush the sander out with gum solvent oil or an equal mixture of SAE 10 oil and kerosene. Allow to dry before use.If you continue to experience problems, contact your local Sealey service agent.
- 5.4. For a full service contact your local Sealey service agent.
- 5.5. When not in use, disconnect from air supply, clean sander and store in a safe, dry, childproof location.

Declaration of Conformity



We, the sole importer into the UK, declare that the product listed here is in conformity with the following standards and directives. The construction file for this product is held by the Manufacturer and may be inspected, by a national authority, upon request to Jack Sealey Ltd.

Random Orbital Sander

Model: SA7SY

98/37/EC Machinery Directive
93/68/EEC Marking Directive

Signed by Mark Sweetman

14th December 2000

For Jack Sealey Ltd. Sole importer into the UK of Sealey Power Tools.