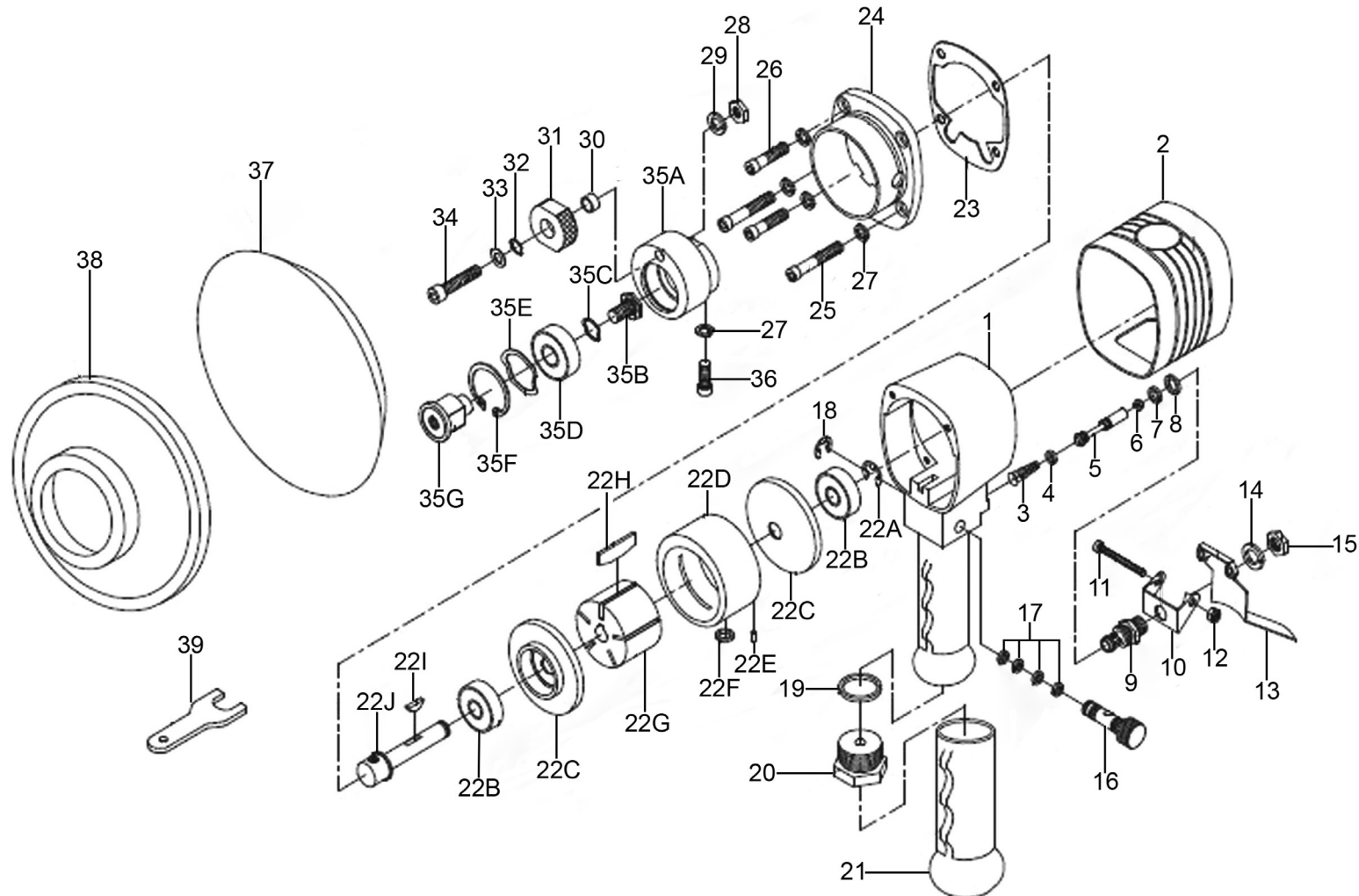




Parts Information:
Air Sander Ø150mm Random Orbital
Model No: SA7/S.V3



NOTE: It is our policy to continually improve products and as such we reserve the right to alter data, specifications and component parts without prior notice.

There may be alternative versions of this product, please contact us should you require this information.

IMPORTANT: No liability is accepted for incorrect use of product. Spare parts must be fitted by a competent person

WARRANTY: Guarantee is 12 months from purchase date, proof of which will be required for any claim.

Sealey Group, Kempson Way, Suffolk Business Park, Bury St Edmunds, Suffolk. IP32 7AR



01284 757500



01284 703534



sales@sealey.co.uk



www.sealey.co.uk



Parts Information:
Air Sander Ø150mm Random Orbital
Model No: SA7/S.V3

Item	Part No.	Description
1	SA7S.V2-01	Housing
2	SA7S.V2-02	Housing Cover
3	SA7S.V2-03	Valve Spring, Conical
4	SA912.V2-04	O-Ring
5	SA7S.V2-05	Valve Stem
6	SA7S.V2-06	O-Ring
7	SA7S.V2-07	Seal Washer
8	SA57.32	O-Ring
9	SA7S.V2-09	Valve Bushing
10	SA7S.V2-10	Lever Seat
11	SA7S.V2-11	Lever Screw
12	SA7S.V2-12	Nyloc Nut M3
13	SA7S.V2-13	Throttle Lever
14	SA7S.V2-14	Spring Washer M10
15	NC15A/18	Half Nut 3/8" UNF
16	SA7S.V2-16	Air Regulator
17	SA77S.V4-19	O-Ring
18	SA7S.V2-18	E-Clip
19	SA7S.V2-19	O-Ring
20	SA7S.V2-20	Bushing, Air Inlet
21	SA7S.V2-21	Handle Grip
22A	SA7S.V2-22A	E-Clip
22B	B/6200ZZ	Bearing
22C	SA7S.V2-22C	Front End Plate
22D	SA7S.V2-22D	Cylinder
22E	SA31T/41	Spring Pin
22F	SA7S.V2-22F	O-Ring

Item	Part No.	Description
22G	SA7S.V2-22G	Rotor
22H	SA7S.V2-22H	Rotor Blade
22I	SA7S.V2-22I	Woodruff Key
22J	SA7S.V2-22J	Work Spindle
23	SA7S.V2-23	Gasket
24	SA7S.V2-24	Housing, Front Cover
25	SCB540.SB	Socket Cap Screw M5 x 40mm Black
26	SCB514.SB	Socket Cap Bolt M5 x 14mm Black
27	SWM5.S	Spring Washer M5
28	SN14.UNC	Nut 1/4"UNC
29	SWM6.S	Spring Washer M6
30	SA7S.V2-30	Spacer
31	SA7S.V2-31	Lever
32	SA7S.V2-32	Crinkle Washer
33	FWM6.SB	Flat Washer M6 Black
34	SA7S.V2-34	Socket Head Cap Screw 1/4"UNC x 1-1/4" Black
35A	SA7S.V2-35A	Orbital Hub
35B	SA7S.V2-35B	Set Screw
35C	SA7S.V2-35C	Crinkle Washer M12
35D	B/6201ZZ	Bearing
35E	SA7S.V2-35E	Crinkle Washer M24
35F	SA7S.V2-35F	Circlip
35G	SA7S.V2-35G	Bearing Seat
36	SCB525.SB	Socket Cap Bolt M5 x 25mm Black
37	PTC/150VA	Backing Pad
38	SA7S.V2-38	Fender, Grinding Wheel
39	SA7S.V2-39	Wrench

NOTE: It is our policy to continually improve products and as such we reserve the right to alter data, specifications and component parts without prior notice. There may be alternative versions of this product, please contact us should you require this information.

IMPORTANT: No liability is accepted for incorrect use of product. Spare parts must be fitted by a competent person

WARRANTY: Guarantee is 12 months from purchase date, proof of which will be required for any claim.

Sealey Group, Kempson Way, Suffolk Business Park, Bury St Edmunds, Suffolk. IP32 7AR



01284 757500



01284 703534



sales@sealey.co.uk



www.sealey.co.uk