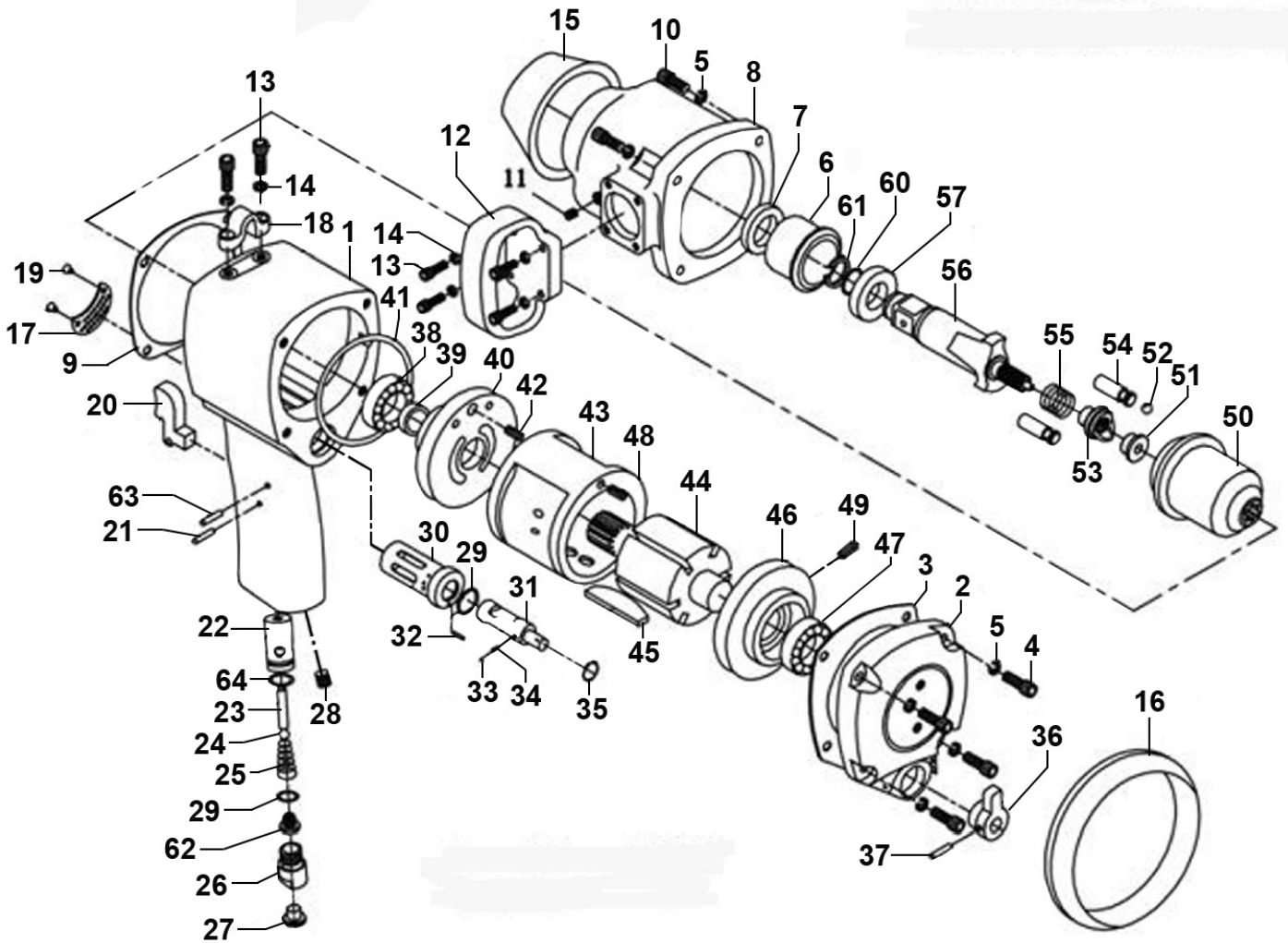


Parts Information:
**Air Impact Wrench 1" Sq Drive Pin Clutch
 Pistol/Standard Anvil
 Model No: SA682.V3**



| Item | Part No. | Description |
|------|-------------|---------------------------------|
| 1 | SA682.V2-01 | Motor Housing |
| 2 | SA682.V2-02 | End Cap |
| 3 | SA682.V2-03 | End Cap Gasket |
| 4 | SCB825.SB | Socket Cap Bolt M8 x 25mm Black |
| 5 | SWM8.SB | Spring Washer M8 Black |
| 6 | SA682.V2-06 | Anvil Bushing |
| 7 | SA680/09 | Oil Seal |
| 8 | SA682.V2-08 | Clutch Housing |
| 9 | SA682.V2-09 | Front Gasket |
| 10 | SCB830.SB | Socket Cap Bolt M8 x 30mm Black |
| 11 | SA682.V2-11 | Oil Plug |
| 12 | SA682.V2-12 | Handle Dead |
| 13 | SCB616.SB | Socket Cap Bolt M6 x 16mm Black |
| 14 | SWM6.SB | Spring Washer M6 Black |

| Item | Part No. | Description |
|------|--------------|--------------------------------|
| 15 | SA682.V2-15 | Protecting Rubber |
| 16 | SA682.V2-16 | Protecting Rubber |
| 17 | SA682.V2-17 | Muffle Plate |
| 18 | SA682.V2-18 | Hanger |
| 19 | ER1700PV2-49 | Rd Head S/T Screw M3 X 8 Black |
| 20 | SA682.V2-20 | Trigger |
| 21 | SA354.30 | Spring Pin M3 X 22 |
| 22 | SA682.V2-22 | Throttle Bushing |
| 23 | SA682.V2-23 | Throttle Pin |
| 24 | SA682.V2-24 | Plastic Ball 12.6mm |
| 25 | SA682.V2-25 | Spring Tapered |
| 26 | SA682.V2-26 | Hose Fitting |
| 27 | SA682.V2-27 | Dust Cover |
| 28 | SA682.V2-28 | Oil Plug |

NOTE: It is our policy to continually improve products and as such we reserve the right to alter data, specifications and component parts without prior notice. There may be alternative versions of this product, please contact us should you require this information.

IMPORTANT: No liability is accepted for incorrect use of product. Spare parts must be fitted by a competent person

WARRANTY: Guarantee is 12 months from purchase date, proof of which will be required for any claim.



Parts Information:
**Air Impact Wrench 1" Sq Drive Pin Clutch
Pistol/Standard Anvil
Model No: SA682.V3**

| Item | Part No. | Description |
|------|-------------|--|
| 29 | SA682.V2-29 | O-Ring, (Ex: 20.51 In: 15.87 Cs: 2.32) |
| 30 | SA682.V2-30 | Valve Sleeve |
| 31 | SA682.V2-31 | Reverse Valve |
| 32 | SA682.V2-32 | Pin |
| 33 | SB-3.0 | Steel Ball 3.0mm |
| 34 | SA682.V2-34 | Spring Dia 3.2mm |
| 35 | SA631.V3-12 | Internal Circlip 23.5mm OD |
| 36 | SA682.V2-36 | Lever Reverse |
| 37 | SA314.V4-27 | Spring Pin M3 X 25 |
| 38 | B/6005 | Bearing 6005 |
| 39 | SA682.V2-39 | Oil Seal |
| 40 | SA682.V2-40 | Front End Plate |
| 41 | SA682.V2-41 | O-Ring, (Ex: 76.50 In: 69.44 Cs: 3.53) |
| 42 | SA682.V2-42 | Spring Pin M6 X 16 |
| 43 | SA682.V2-43 | Cylinder |
| 44 | SA682.V2-44 | Rotor |
| 45 | SA682.V2-45 | Rotor Blade |

| Item | Part No. | Description |
|------|--------------|--|
| 46 | SA682.V2-46 | Rear end Plate |
| 47 | B/6204Z | Bearing 6204z |
| 48 | SA291.V3-21 | Spring Pin M6 X 18 |
| 49 | SA31T/41 | Spring Pin M3 X 6 |
| 50 | SA682.V2-50 | Hammer Cage |
| 51 | SA682.V2-51 | Drive Cam Base |
| 52 | SB-13.0 | Steel ball 13.0mm |
| 53 | SA682.V2-53 | Drive Cam |
| 54 | SA682.V2-54 | Hammer Bar |
| 55 | SA682.V2-55 | Spring Dia 37.04mm |
| 56 | SA682.V2-56 | Anvil (2") |
| 57 | SA682.V2-57 | Thick Spacer |
| 60 | SA682.V2-60 | O-Ring, (Ex: 23.96 In: 18.72 Cs: 2.62) |
| 61 | SA291/07 | Anvil collar 1" x 3.1mm |
| 62 | SA682.V2-62 | Screen |
| 63 | SA6002.V3-32 | Spring Pin M3 X 18 |
| 64 | SA682.V3-64 | O-Ring, (Ex: 13.59 In: 10.69 Cs: 1.45) |

NOTE: It is our policy to continually improve products and as such we reserve the right to alter data, specifications and component parts without prior notice. There may be alternative versions of this product, please contact us should you require this information.

IMPORTANT: No liability is accepted for incorrect use of product. Spare parts must be fitted by a competent person

WARRANTY: Guarantee is 12 months from purchase date, proof of which will be required for any claim.

Sealey Group, Kempson Way, Suffolk Business Park, Bury St Edmunds, Suffolk. IP32 7AR



01284 757500



01284 703534



sales@sealey.co.uk



www.sealey.co.uk