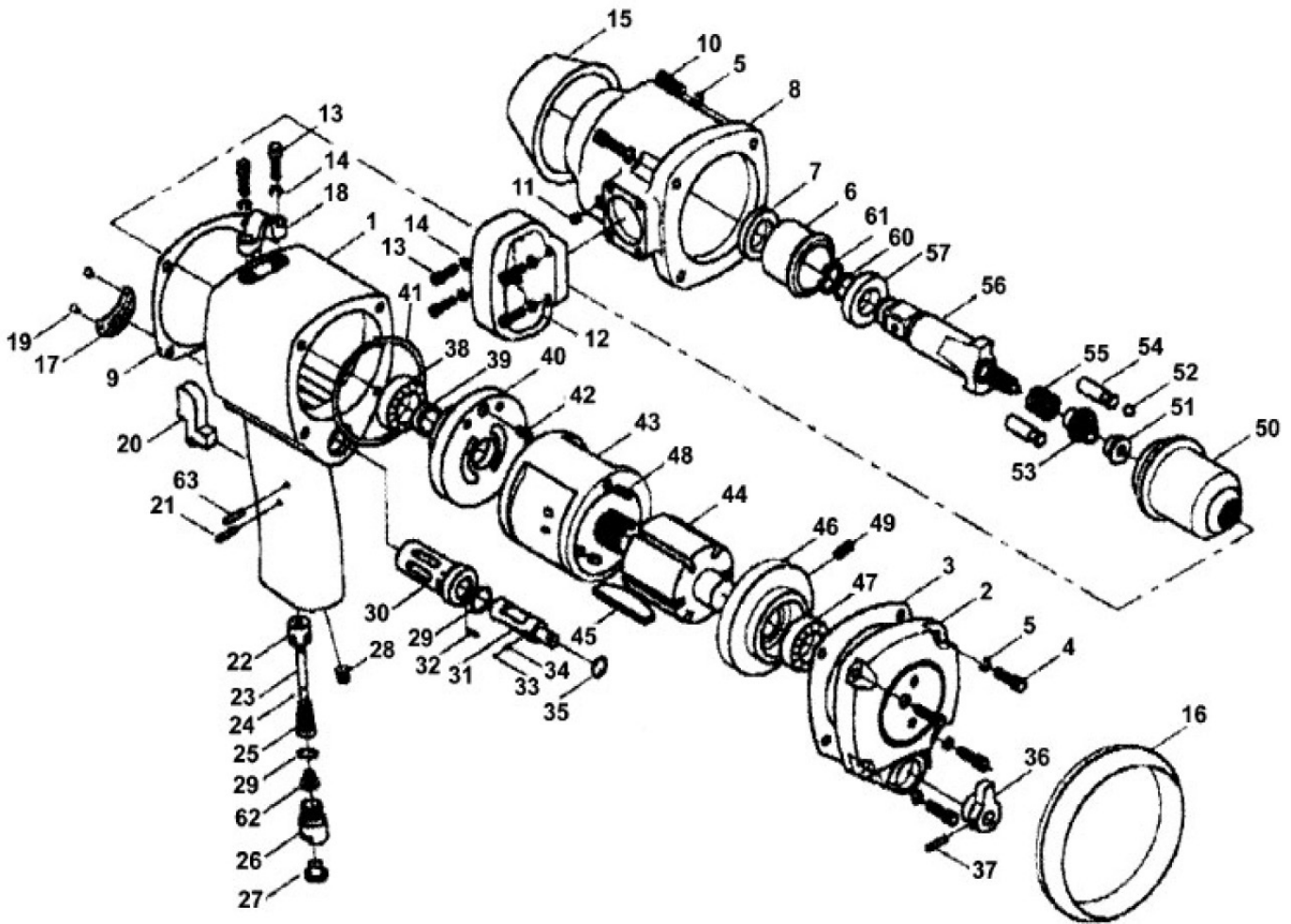


Parts Information:
**Air Impact Wrench 1" Sq Drive Pin Clutch
 Pistol/Standard Anvil Super-Duty 1800lb.ft
 Model No: SA682.V2**



Item	Part No.	Description
1	SA682.V2-01	Motor Housing
2	SA682.V2-02	End Cap
3	SA682.V2-03	End Cap Gasket
4	SCB825.SB	Socket Cap Bolt M8 x 25mm Black
5	SWM8.SB	Spring Washer M8 Black
6	SA682.V2-06	Anvil Bushing
7	SA680/09	Oil Seal
8	SA682.V2-08	Clutch Housing
9	SA682.V2-09	Front Gasket
10	SCB830.SB	Socket Cap Bolt M8 x 30mm Black
11	SA682.V2-11	Oil Plug
12	SA682.V2-12	Handle-Dead
13	SCB616.SB	Socket Cap Bolt M6 x 16mm Black
14	SWM6.SB	Spring Washer M6 Black
15	SA682.V2-15	Protecting Rubber

Item	Part No.	Description
16	SA682.V2-16	Protecting Rubber
17	SA682.V2-17	Muffle Plate
18	SA682.V2-18	Hanger
19	ER1700PV2-49	Rd Head S/T Screw M3 X 8 Black
20	SA682.V2-20	Trigger
21	SA354.30	Spring Pin M3 X 22
22	SA682.V2-22	Throttle Bushing
23	SA682.V2-23	Throttle Pin
24	SA682.V2-24	Plastic Ball 12.6mm
25	SA682.V2-25	Spring Tapered
26	SA682.V2-26	Hose Fitting
27	SA682.V2-27	Dust Cover
28	SA682.V2-28	Oil Plug
29	SA682.V2-29	O-Ring, (Ex: 20.51 In: 15.87 Cs: 2.32)
30	SA682.V2-30	Valve Sleeve

NOTE: It is our policy to continually improve products and as such we reserve the right to alter data, specifications and component parts without prior notice. There may be alternative versions of this product, please contact us should you require this information.

IMPORTANT: No liability is accepted for incorrect use of product. Spare parts must be fitted by a competent person

WARRANTY: Guarantee is 12 months from purchase date, proof of which will be required for any claim.



Parts Information:
**Air Impact Wrench 1" Sq Drive Pin Clutch
Pistol/Standard Anvil Super-Duty 1800lb.ft
Model No: SA682.V2**

Item	Part No.	Description
31	SA682.V2-31	Reverse Valve
32	SA682.V2-32	Pin
33	SB-3.0	Steel Ball 3.0mm
34	SA682.V2-34	Spring Dia 3.2mm
35	SA631.V3-12	Internal Circlip 23.5 OD
36	SA682.V2-36	Lever Reverse
37	SA314.V4-27	Spring Pin M3 X 25
38	B/6005	Bearing 6005
39	SA682.V2-39	Oil Seal
40	SA682.V2-40	Front End Plate
41	SA682.V2-41	O-Ring, (Ex: 76.50 In: 69.44 Cs: 3.53)
42	SA682.V2-42	Spring Pin M6 X 16
43	SA682.V2-43	Cylinder
44	SA682.V2-44	Rotor
45	SA682.V2-45	Rotor Blade
46	SA682.V2-46	Rear End Plate

Item	Part No.	Description
47	B/6204Z	Bearing 6204z
48	SA291.V3-21	Spring Pin M6 X 18
49	SA31T/41	Spring Pin M3 X 6
50	SA682.V2-50	Hammer Cage
51	SA682.V2-51	Drive Cam Base
52	SB-13.0	Steel Ball 13.0mm
53	SA682.V2-53	Drive Cam
54	SA682.V2-54	Hammer Bar
55	SA682.V2-55	Spring Dia 37.04mm
56	SA682.V2-56	Anvil (2")
57	SA682.V2-57	Thick Spacer
58	SA682.V2-60	O-Ring, (Ex: 23.96 In: 18.72 Cs: 2.62)
59	SA291/07	Anvil collar 1" x 3.1mm
60	SA682.V2-62	Screen
61	SA6002.V3-32	Spring Pin M3 X 18 SA6002.V3-32

NOTE: It is our policy to continually improve products and as such we reserve the right to alter data, specifications and component parts without prior notice. There may be alternative versions of this product, please contact us should you require this information.

IMPORTANT: No liability is accepted for incorrect use of product. Spare parts must be fitted by a competent person

WARRANTY: Guarantee is 12 months from purchase date, proof of which will be required for any claim.

Sealey Group, Kempson Way, Suffolk Business Park, Bury St Edmunds, Suffolk. IP32 7AR



01284 757500



01284 703534



sales@sealey.co.uk



www.sealey.co.uk