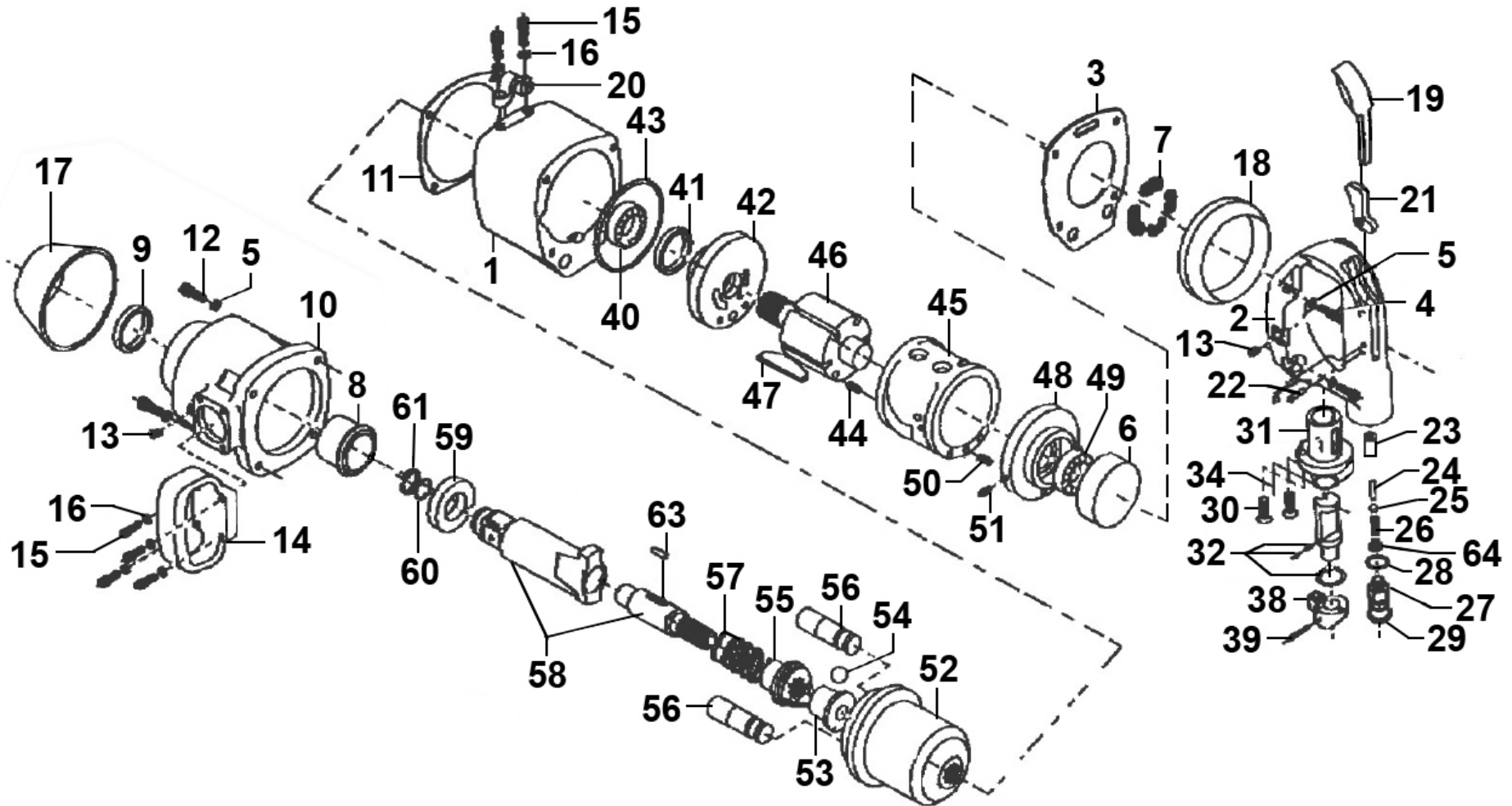




Parts Information:
Air Impact Wrench 1" Sq Drive Pin Clutch Straight/Long Anvil Super-Duty
1800lb.ft
Model No: SA681



NOTE: It is our policy to continually improve products and as such we reserve the right to alter data, specifications and component parts without prior notice.

There may be alternative versions of this product, please contact us should you require this information.

IMPORTANT: No liability is accepted for incorrect use of product. Spare parts must be fitted by a competent person

WARRANTY: Guarantee is 12 months from purchase date, proof of which will be required for any claim.

Sealey Group, Kempson Way, Suffolk Business Park, Bury St Edmunds, Suffolk. IP32 7AR



01284 757500



01284 703534



sales@sealey.co.uk



www.sealey.co.uk



Parts Information:
**Air Impact Wrench 1" Sq Drive Pin Clutch
Straight/Long Anvil Super-Duty 1800lb.ft
Model No: SA681**

Item	Part No.	Description
1	SA680/01	Motor Housing
2	SA680/02	Rear Cover
3	SA680/03	Rear Gasket
4	SCB825.SB	Socket Cap Bolt M8 x 25mm Black
5	SWM8.SB	Spring Washer M8 Black
6	SA680/06	Blind Cap
7	SA680/07	Oil Packing
8	SA680/08	Anvil Bushing
9	SA680/09	Oil Seal
10	SA680/10	Clutch Housing
11	SA682.V2-09	Front Gasket
12	SCB830.SB	Socket Cap Bolt M8 x 30mm Black
13	SA680/13	Screw (1/8npt x 5/16 Grub Screw)
14	SA682.V2-12)	Handle-Dead
15	SCB616.SB	Socket Cap Bolt M6 x 16mm Black
16	SWM6.SB	Spring Washer M6 Black
17	SA680/17	Protecting Rubber
18	SA682.V2-16	Protecting Rubber
19	SA680/19	Handle Cover
20	SA682.V2-18	Hanger
21	SA680/21	Trigger
22	SA680/22	Trigger Pin
23	SA680/23	Bushing
24	SA680/24	Throttle Pin
25	SA682.V2-24	Plastic ball 12.6mm
26	SA680/26	Spring-Conical
27	SA680/27	Hose Fitting
28	SA680/28	O-Ring, (Ex: 26.24 In: 21.84 Cs: 2.20)
29	SA682.V2-27	Dust Cover
30	SA680/30	Screw (M4x16 Ph Pan Hd Screw)

Item	Part No.	Description
31	SA680/31	Valve Sleeve
32	SA680/32	Reverse Valve Assy
34	SA680/34	Pin
38	SA680/38	Lever Reverse
39	SA680/39	Pin
40	B/6005	Bearing 6005
41	SA682.V2-39	Oil Seal
42	SA682.V2-40	Front End Plate
43	SA682.V2-41	O-Ring, (Ex: 76.50 In: 69.44 Cs: 3.53)
44	SA682.V2-42	Spring Pin M6 X 16
45	SA682.V2-43	Cylinder
46	SA682.V2-44	Rotor
47	SA680/47	Rotor Blade
48	SA682.V2-46	Rear End Plate
49	B/6204	Bearing 6204
50	SA291.V3-21	Spring Pin M6 X 18
51	SA31T/41	Spring Pin M3 X 6
52	SA682.V2-50	Hammer cage
53	SA682.V2-51	Drive Cam Base
54	SB-13.0	Steel Ball 13.0mm
55	SA682.V2-53	Drive Cam
56	SA682.V2-54	Hammer Bar
57	SA680/57	Spring Dia 37.1mm
58	SA681/58	Anvil 6" And Drive Shaft
59	SA682.V2-57	Thick Spacer
60	SA680/60	O-Ring
61	SA291/07	Anvil Collar 1" x 3.1mm
63	SA680/63	Pin
64	SA682.V2-62	Screen

NOTE: It is our policy to continually improve products and as such we reserve the right to alter data, specifications and component parts without prior notice. There may be alternative versions of this product, please contact us should you require this information.

IMPORTANT: No liability is accepted for incorrect use of product. Spare parts must be fitted by a competent person

WARRANTY: Guarantee is 12 months from purchase date, proof of which will be required for any claim.

Sealey Group, Kempson Way, Suffolk Business Park, Bury St Edmunds, Suffolk. IP32 7AR



01284 757500



01284 703534



sales@sealey.co.uk



www.sealey.co.uk