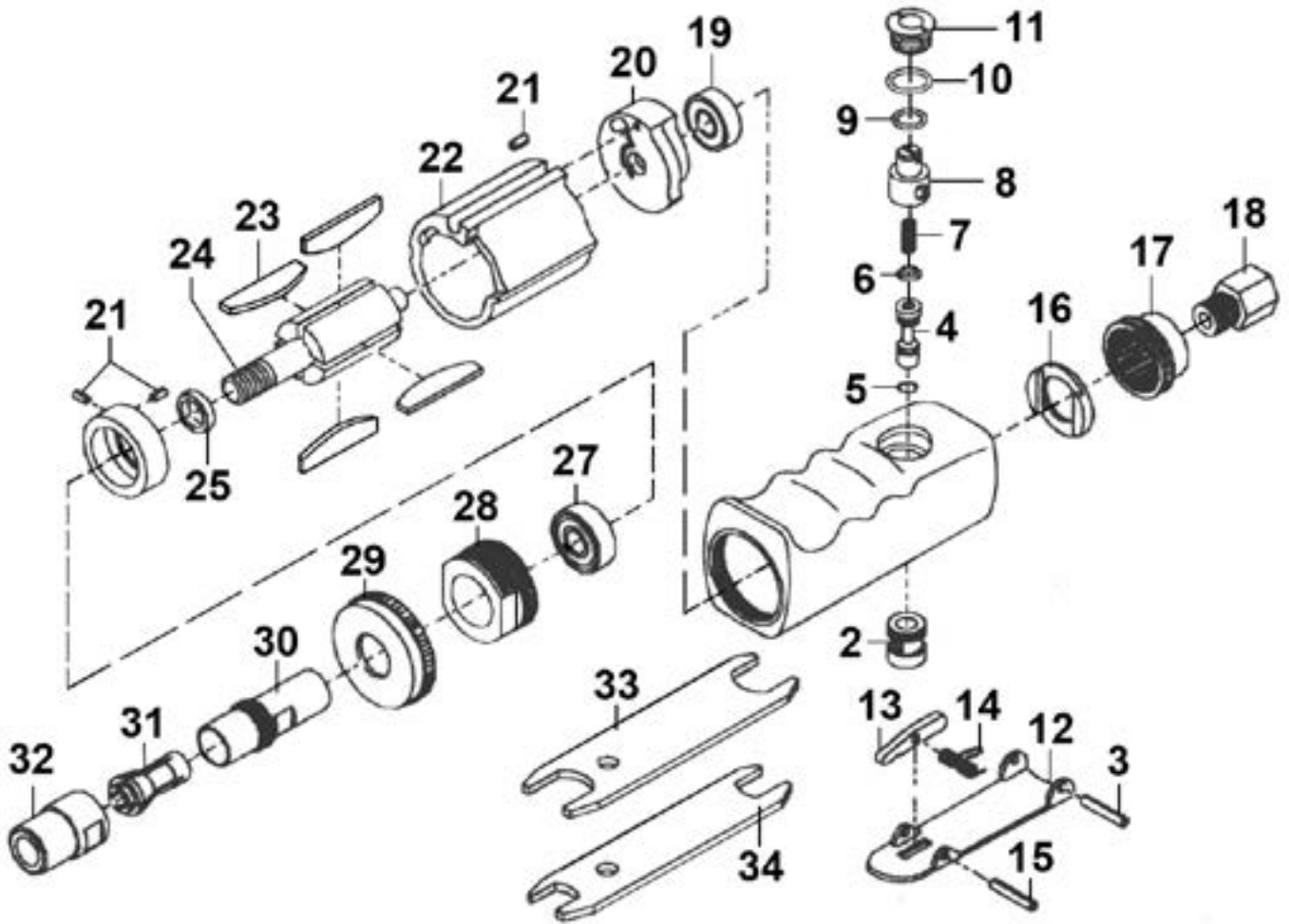




Parts Information:
Air Die Grinder Maxi Size Straight Super-Duty
Model No: SA654



Item	Part No.	Description
1	SA650/01	Motor Housing
2	SA650/02	Valve Bushing
3	SA650/03	Lever Pin
4	SA654/04	Valve Stem
5	SA652/16	O-Ring
6	SA650/06	O-Ring
7	SA650/07	Spring
8	SA650/08	Regulator
9	SA650/09	O-Ring
10	SA650/10	O-Ring
11	SA650/11	Valve Screw
12	SA652/09	Throttle Lever
13	SA652/12	Stop Rod
14	SA652/11	Spring
15	SA652/10	Spring Pin
16	SA650/16	Silencer
17	SA650/17	Deflector

Item	Part No.	Description
18	SA650/18	Air Inlet
19	B/626ZZ	Bearing 626zz
20	SA650/20	Rear End Plate
21	SA652/35	Pin
22	SA650/22	Cylinder
23	SA650/23	Rotor Blade
24	SA650/24	Rotor
25	SA650/25	Rotor Spacer
26	SA650/26	Front End Plate
27	B/6000ZZ	Bearing 6000zz
28	SA650/28	Lock Nut
29	SA654/29	Housing Cap
30	SA654/30	Spindle
31	SA654/31	Collet
32	SA652/32	Collet Nut
33	SA654/33	Spanner Wrench (17mm)
34	SA650/35	Spanner Wrench

NOTE: It is our policy to continually improve products and as such we reserve the right to alter data, specifications and component parts without prior notice. There may be alternative versions of this product, please contact us should you require this information.

IMPORTANT: No liability is accepted for incorrect use of product. Spare parts must be fitted by a competent person

WARRANTY: Guarantee is 12 months from purchase date, proof of which will be required for any claim.

Sealey Group, Kempson Way, Suffolk Business Park, Bury St Edmunds, Suffolk. IP32 7AR



01284 757500



01284 703534



sales@sealey.co.uk



www.sealey.co.uk