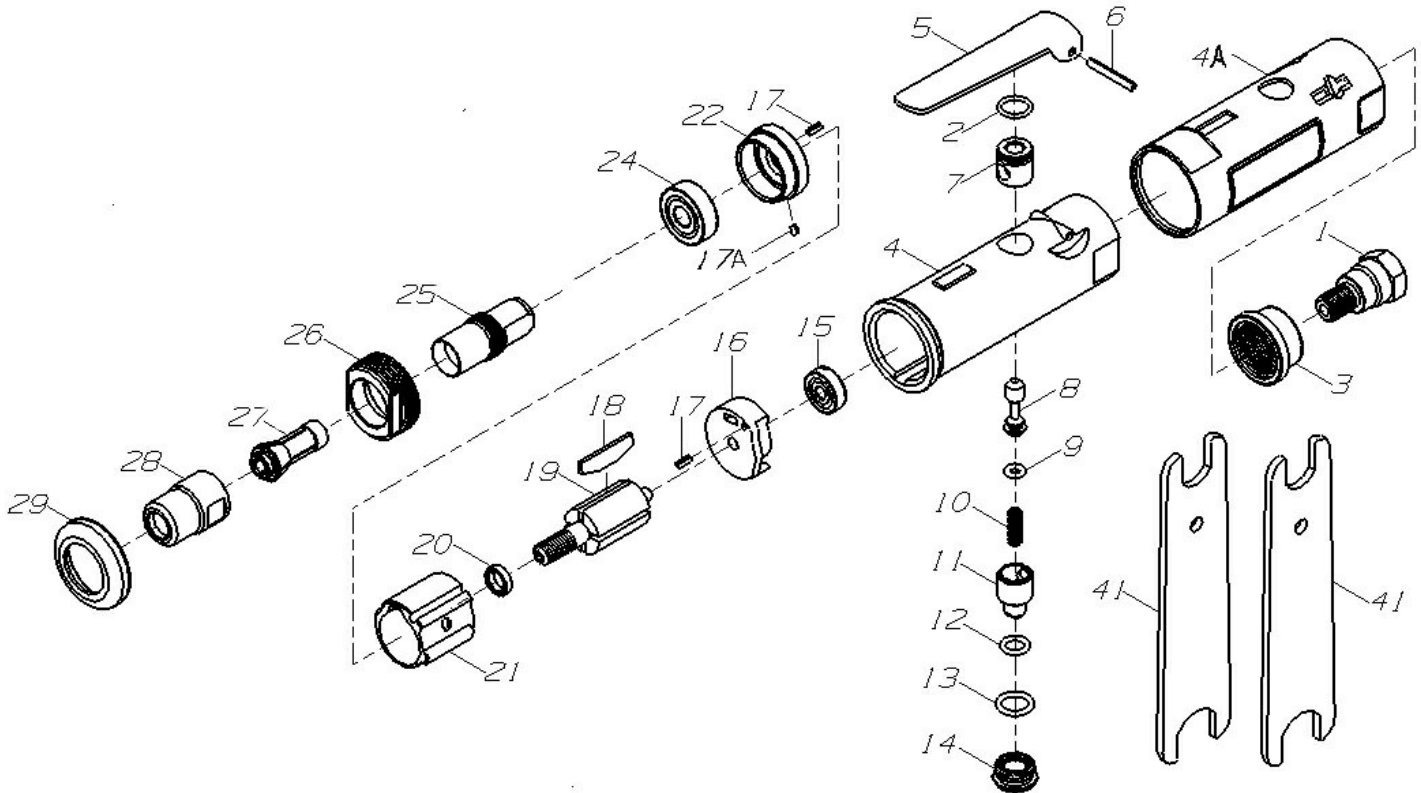


Parts Information:
Air Die Grinder Midi Size Straight Super-Duty
Model No: SA652.V2



Item	Part No.	Description
1	SA653.V2-01	Inlet Bushing
2	SA653.V2-02	O-Ring
3	SA653.V2-03	Exhaust Sleeve
4	SA653.V2-04	Motor Housing
4A	SA653.V2-04A	Rubber Housing Sleeve
5	SA653.V2-05	Throttle Lever
6	SA650.V2-15	Pin
7	SA653.V2-07	Valve Bushing
8	SA653.V2-08	Throttle Valve
9	SA653.V2-09	O-Ring
10	SA653.V2-10	Spring
11	SA653.V2-11	Air Regulator
12	SA650.V2-07	O-Ring
13	SA653.V2-13	O-Ring
14	SA653.V2-14	Valve Screw
15	B/625ZZ	Bearing 625ZZ

Item	Part No.	Description
16	SA653.V2-16	Rear End Plate
17	SA650.V2-18	Pin
17A	SA650.V2-18P	Pin
18	SA653.V2-18	Rotor Blade
19	SA653.V2-19	Rotor
20	SA653.V2-20	Bearing Spacer
21	SA631/17	Cylinder
22	SA653.V2-22	Front End Plate
24	B/608ZZ	Bearing 608ZZ
--	SA652.V2-24A	Washer (NOT SHOWN)
25	SA652.V2-25	Collet Spindle
26	SA652.V2-26	Clamp Adaptor
27	SA653.V2-27	Collet 6mm (Standard)
28	SA653.V2-28	Collet Nut
29	SA652.V2-29	End Cap
41	SA653.V2-41	Double Ended Spanner

NOTE: It is our policy to continually improve products and as such we reserve the right to alter data, specifications and component parts without prior notice.

IMPORTANT: No liability is accepted for incorrect use of product.

WARRANTY: Guarantee is 12 months from purchase date, proof of which will be required for any claim.