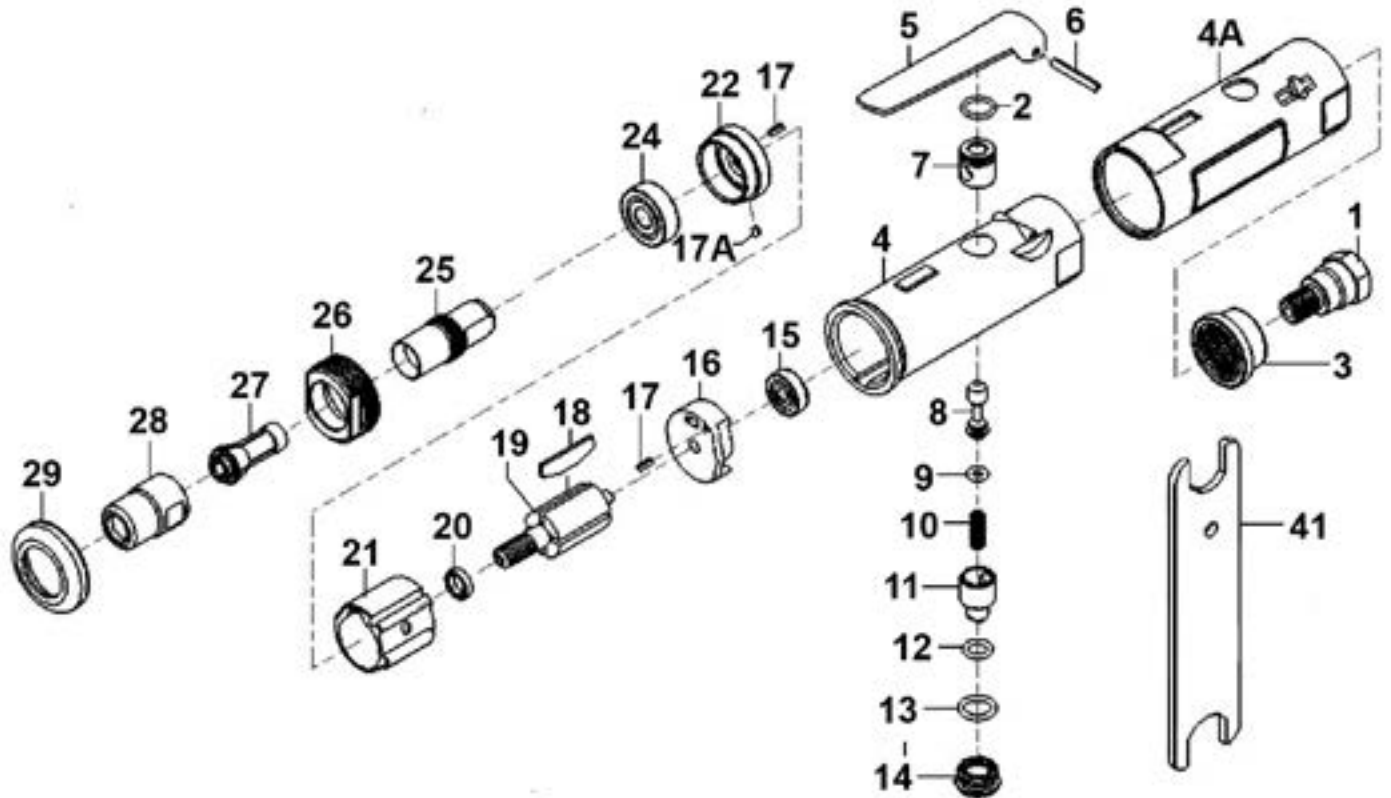


Parts Information:
Air Die Grinder Midi Size Straight Super-Duty
Model No: SA652.V2



Item	Part No.	Description
1	SA653.V2-01	Inlet Bushing
2	SA653.V2-02	O-Ring
3	SA653.V2-03	Exhaust Sleeve
4	SA653.V2-04	Motor Housing
4A	SA653.V2-04A	Rubber Housing Sleeve
5	SA653.V2-05	Throttle Lever
6	SA650.V2-15	Pin
7	SA653.V2-07	Valve Bushing
8	SA653.V2-08	Throttle Valve
9	SA653.V2-09	O-Ring
10	SA653.V2-10	Spring
11	SA653.V2-11	Air Regulator
12	SA650.V2-07	O-Ring
13	SA653.V2-13	O-Ring
14	SA653.V2-14	Valve Screw
15	B/625ZZ	Bearing 625zz

Item	Part No.	Description
16	SA653.V2-16	Rear End Plate
17	SA650.V2-18	Spring Pin 2.4 x 6mm
17A	SA650.V2-18P	Pin
18	SA653.V2-18	Rotor Blade
19	SA653.V2-19	Rotor
20	SA653.V2-20	Bearing Spacer
21	SA631/17	Cylinder
22	SA653.V2-22	Front End Plate
24	B/608ZZ	Bearing 608zz
25	SA652.V2-25	Collet Spindle
26	SA652.V2-26	Clamp Adaptor
27	SA653.V2-27	Collet 6mm (Standard)
28	SA653.V2-28	Collet Nut
29	SA652.V2-29	End Cap
41	SA653.V2-41	Double Ended Spanner
--	SA652.V2-24A	Washer (Not Shown)

NOTE: It is our policy to continually improve products and as such we reserve the right to alter data, specifications and component parts without prior notice. There may be alternative versions of this product, please contact us should you require this information.

IMPORTANT: No liability is accepted for incorrect use of product. Spare parts must be fitted by a competent person

WARRANTY: Guarantee is 12 months from purchase date, proof of which will be required for any claim.