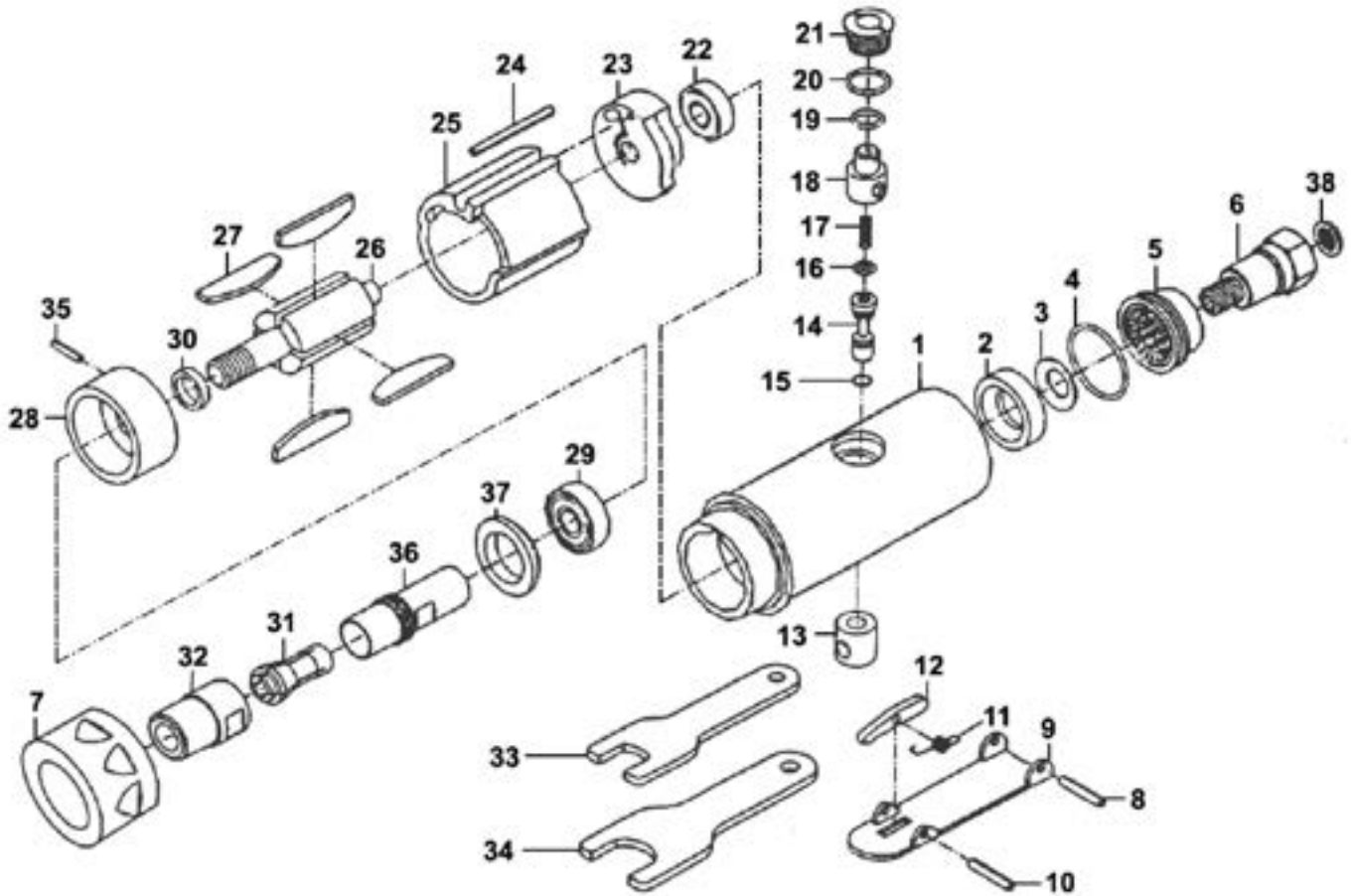




Parts Information:  
**Air Die Grinder Midi Size Straight Super-Duty**  
**Model No: SA652**



Item	Part No.	Description
1	SA652/01	Motor Housing
2	SA652/02	Silencer
3	SA652/03	Washer
4	SA652/04	O-Ring
5	SA652/05	Deflector
6	SA652/06	Air Inlet
7	SA652/07	Housing Lock Ring
8	SA652/08	Lever Pin
9	SA652/09	Throttle Lever
10	SA652/10	Spring Pin
11	SA652/11	Spring
12	SA652/12	Stop Rod
13	SA652/13	Valve Bushing
14	SA652/14	Valve Stem
15	SA652/15	O-Ring
16	SA652/16	O-Ring
17	SA652/17	Spring
18	SA652/18	Regulator
19	SA652/19	O-Ring

Item	Part No.	Description
20	SA652/20	O-Ring
21	SA652/21	Valve Screw
22	B/696ZZ	Bearing 696zz
23	SA652/23	Rear End Plate
24	SA652/24	Cylinder Pin
25	SA652/25	Cylinder
26	SA652/26	Rotor
27	SA652/27	Rotor Blade
28	SA652/28	Front End Plate
29	B/608ZZ	Bearing 608zz
30	SA652/30	Rotor Spacer
31	SA652/31	Collet
32	SA652/32	Collet Nut
33	SA652/33	Spanner Wrench(11mm)
34	SA652/34	Spanner Wrench (17mm)
35	SA652/35	Pin
36	SA652/36	Spindle
37	SA652/37	Rubber Gasket
38	SA652/38	Filter

**NOTE:** It is our policy to continually improve products and as such we reserve the right to alter data, specifications and component parts without prior notice. There may be alternative versions of this product, please contact us should you require this information.

**IMPORTANT:** No liability is accepted for incorrect use of product. Spare parts must be fitted by a competent person

**WARRANTY:** Guarantee is 12 months from purchase date, proof of which will be required for any claim.

Sealey Group, Kempson Way, Suffolk Business Park, Bury St Edmunds, Suffolk. IP32 7AR



01284 757500



01284 703534



sales@sealey.co.uk



www.sealey.co.uk