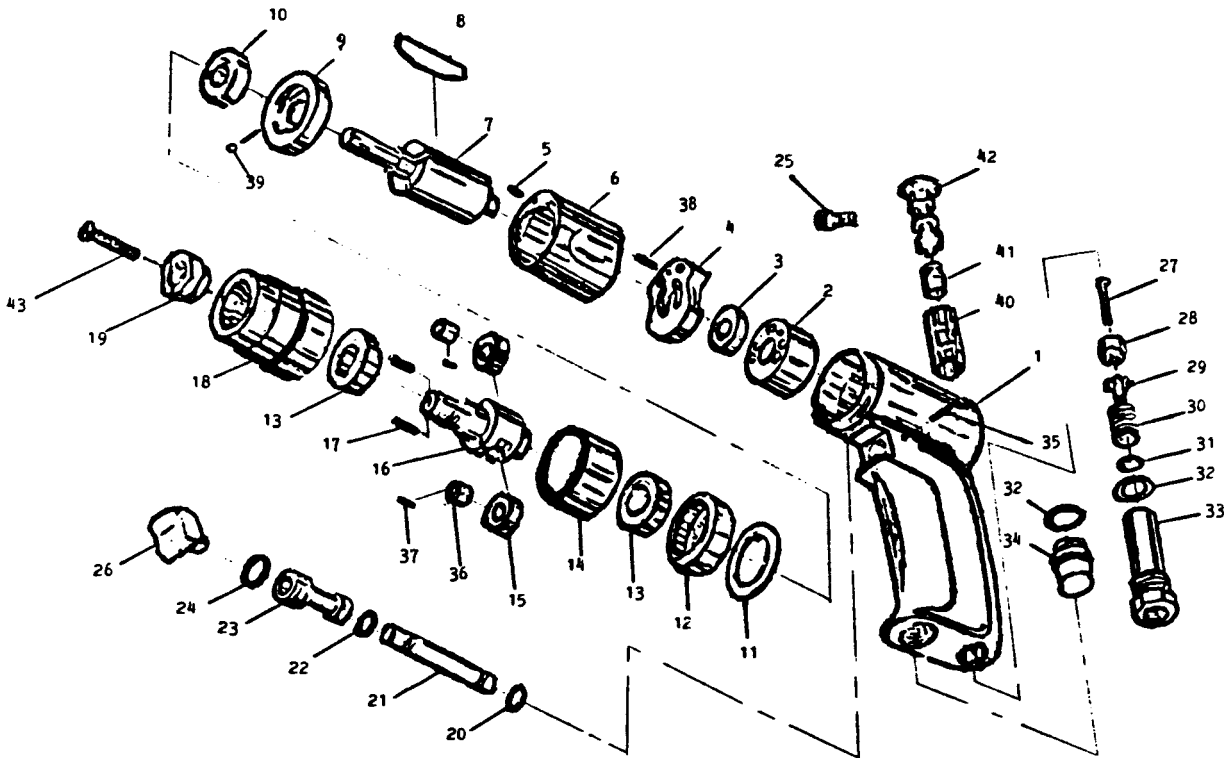


# 3/8" AIR DRILL

MODEL NO: SA64



Item No.	Part No.	Description	Q'ty	Item No.	Part No.	Description	Q'ty
1	JM-30901	Body with Bushing	1	23	LM-20123	Valve Body	1
2	LM-30902	Reverse Plate	1	24	SP-20124	O-Ring	1
3	SP-30903	Ball Bearing	1	25	LM-30925	Nut	1
4	PP-30904	Rear End Plate	1	26	IM-20126	Control Lever	1
5	SP-30905	Pin	1	27	SP-20127	Valve Pin	1
6	PP-30906	Cylinder	1	28	LM-20128	Valve Bushing	1
7	LM-30907	Rotor	1	29	IM-20129	Valve	1
8	IM-30908	Vanes	4	30	SP-20130	Spring	1
9	PP-30909	Front Plate	1	31	PM-20131	Filter	1
10	SP-10124	Ball Bearing	1	32	SP-20132	O-Ring	2
11	PM-30911	Washer	1	33	LM-30933	Air Inlet	1
12	PP-20112	Bearing Cap	1	34	PP-20134	End Cap	1
13	SP-20113	Ball Bearing	2	35	SP-20135	Spring Pin	1
14	TM-20114	Internal Gear	1	36	IM-20136	Bushing	2
15	TM-20115	Planet Wheel	2	37	SP-20137	Clutch Stop Pin	12
16	LM-20916	Planet Cage	1	38	SP-30938	Pin	
17	SP-20117	Planet Pin	1	39	SP-30939	C-Ring	1
18	LM-30918	Clamp Nut	1	40	LM-30940	Reverse Air Inlet	1
19	LM-20919N	Nut	1	41	SP-30941	Spring	1
20	SP-20120	C-Ring	1	42	LM-30942	Reverse Valve	1
21	LM-20121	Valve Spindle	1	43	SP-20942	Chuck Nut	1
22	SP-20122	O-Ring	1				