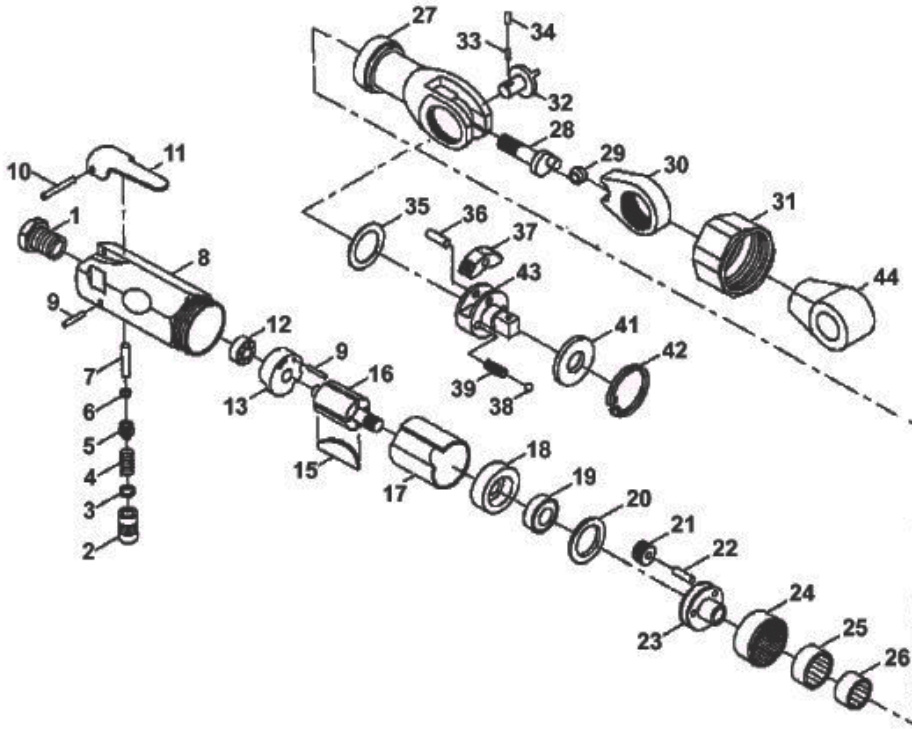


Parts Information:  
**Air Ratchet Wrench Mini 1/4" Sq Drive Premier**  
**Model No: SA630**



Item	Part No.	Description
1	SA631/01	Air inlet bushing
2	SA631/02	Regulator
3	SA631/03	O-ring
4	SA631/04	Valve spring
5	SA631/05	Throttle valve
6	SA631/06	O-ring
7	SA631/07	Valve plunger
8	SA631/08	Motor housing
9	SA631/09	Spring pin m2.7 x 22
10	SA631/10	Spring pin m3.2 x 25
11	SA631/11	Throttle lever
12	B/696ZZ	Bearing 696zz
13	SA631/13	Rear end plate
14	SA631/14	Pin
15	SA631/15	Rotor blade
16	SA631/16	Rotor
17	SA631/17	Cylinder
18	SA631/18	Front end plate
19	B/608ZZ	Bearing 608zz
20	SA631/20	Seal washer
21	SA631/21	Gear
21	SA631/22	Pin
23	SA631/23	Gear plate

Item	Part No.	Description
24	SA631/24	Ring gear
25	B/HK1212	Needle bearing hk1212
26	B/HK0810	Needle bearing hk0810
27	SA631/27	Ratchet housing
28	SA631/28	Crank shaft
29	SA631/29	Drive bushing
30	SA631/30	Yoke
31	SA631/31	Lock nut
32	SA630/32	Reverse button
33	SA631/33	Spring
34	SA631/34	Lock pin
35	SA631/35	Thin black seal washer
36	SA631/36	Pin
37	SA631/37	Ratchet pawl
38	SB-3.0	Steel ball 3.0mm
39	SA631/39	Spring
--	SA631/40	Wave washer (NOT SHOWN)
41	SA631/41	Thrust washer
42	SA631/42	Retaining ring
43	SA630/43	Ratchet anvil (old style)
--	SA630/43P	Washer (NOT SHOWN)
44	SA630/44	Boot

**NOTE:** It is our policy to continually improve products and as such we reserve the right to alter data, specifications and component parts without prior notice.

**IMPORTANT:** No liability is accepted for incorrect use of product.

**WARRANTY:** Guarantee is 12 months from purchase date, proof of which will be required for any claim.