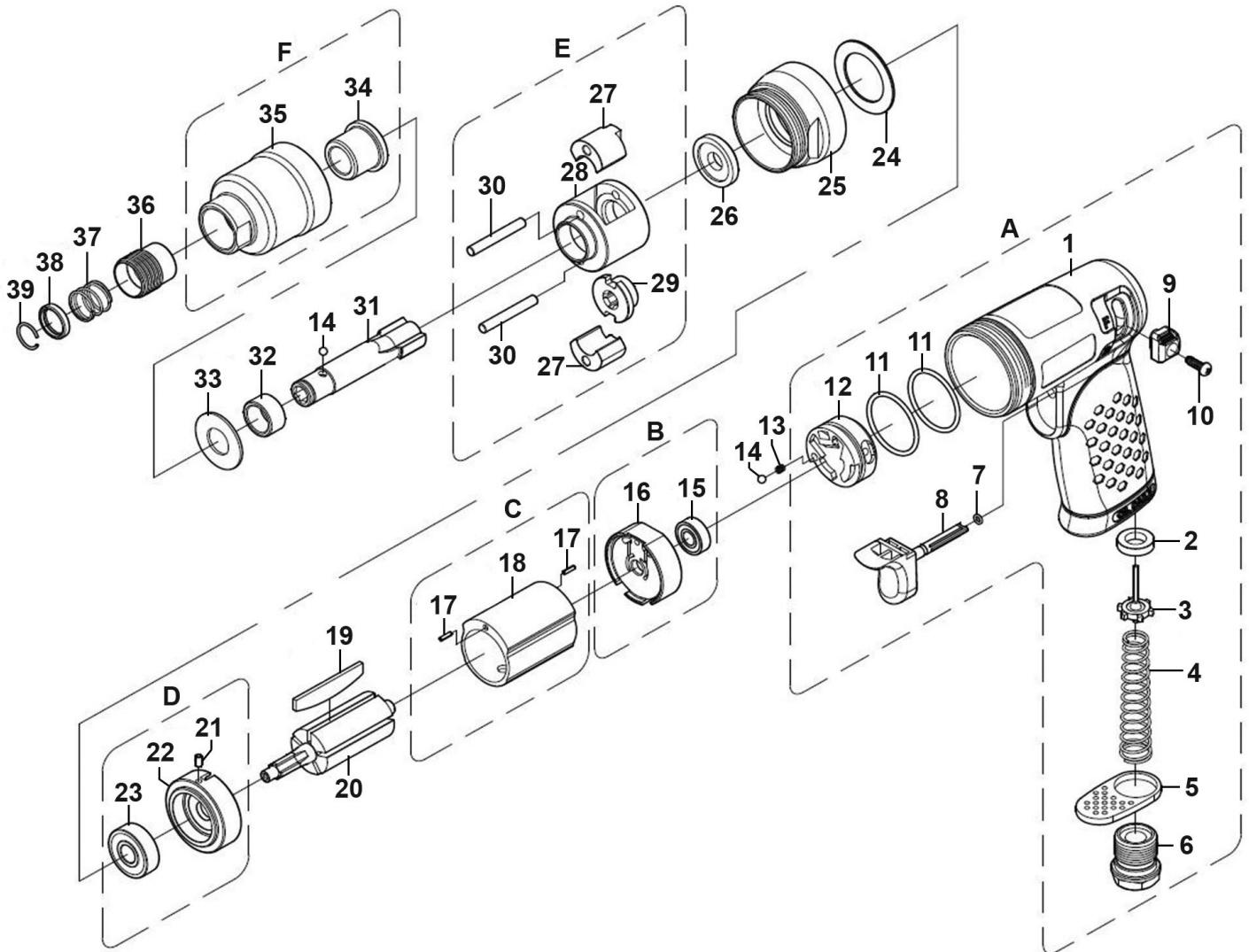


Parts Information:
Premier Composite Mini Air Pistol
Screwdriver 600lb.in(67Nm)
Model No: SA623.V3



Item	Part No.	Description
1	W-2-001105801	Motor Housing
2	W-2-927010	Oil Seal
3	W-2-010105801	Valve
4	W-2-002105802	Valve Spring Conical
5	W-2-004105801	Exhaust Deflector
6	W-2-005105801-03	Air Inlet
7	W-2-916002510	O-Ring, (Ex: 4.52 In: 2.41 Cs: 1.06)
8	W-2-030105801	Trigger
9	W-2-031105801	Reverse Lever
10	W-2-9263510-02	Rd Head S/T Screw M3.5 X 10 Black
11	W-2-916025118	O-Ring, (Ex: 26.73 In: 23.77 Cs: 1.43)
12	W-2-068105801	Rear Plate Spacer
13	W-2-007101002	Spring Dia 3mm

Item	Part No.	Description
14	SB-3.2	Steel Ball 3.2mm
15	B/696ZZ	Bearing 696zz
16	W-2-011105801	Rear Plate
17	W-2-9281506	Spring Pin M1.5 X 6
18	W-2-012105801	Cylinder
19	W-2-014106001	Rotor Blade
20	W-2-013105901	Rotor
21	W-2-9282505	Spring Pin
22	W-2-015105901	Front Plate
23	B/608ZZ	Bearing 608zz
24	W-2-016105901	Sealing Ring M20
25	W-2-017105901	Clamp Nut
26	W-2-019104001	Anvil Spacer (Rear)

NOTE: It is our policy to continually improve products and as such we reserve the right to alter data, specifications and component parts without prior notice. There may be alternative versions of this product, please contact us should you require this information.

IMPORTANT: No liability is accepted for incorrect use of product. Spare parts must be fitted by a competent person

WARRANTY: Guarantee is 12 months from purchase date, proof of which will be required for any claim.



Parts Information:
**Premier Composite Mini Air Pistol
Screwdriver 600lb.in(67Nm)
Model No: SA623.V3**

Item	Part No.	Description
27	W-2-022104001	Hammer
28	W-2-020104002	Hammer Cage
29	W-2-021104001-02	Hammer Cam
30	W-2-023104001	Hammer Pin
31	W-2-025104002-02	Anvil
32	W-2-018104001	Bushing

Item	Part No.	Description
33	W-2-024101301	Anvil Spacer (Front)
34	W-2-026101001	Bush for Front Casing
35	W-2-027105901	Front Casing
36	W-2-028101101	Retainer Sleeve
37	W-2-007101102	Spring Dia 13.3
38	W-2-018101102	Bushing
39	W-2-029101101	Snap Ring

NOTE: It is our policy to continually improve products and as such we reserve the right to alter data, specifications and component parts without prior notice. There may be alternative versions of this product, please contact us should you require this information.

IMPORTANT: No liability is accepted for incorrect use of product. Spare parts must be fitted by a competent person

WARRANTY: Guarantee is 12 months from purchase date, proof of which will be required for any claim.

Sealey Group, Kempson Way, Suffolk Business Park, Bury St Edmunds, Suffolk. IP32 7AR



01284 757500



01284 703534



sales@sealey.co.uk



www.sealey.co.uk