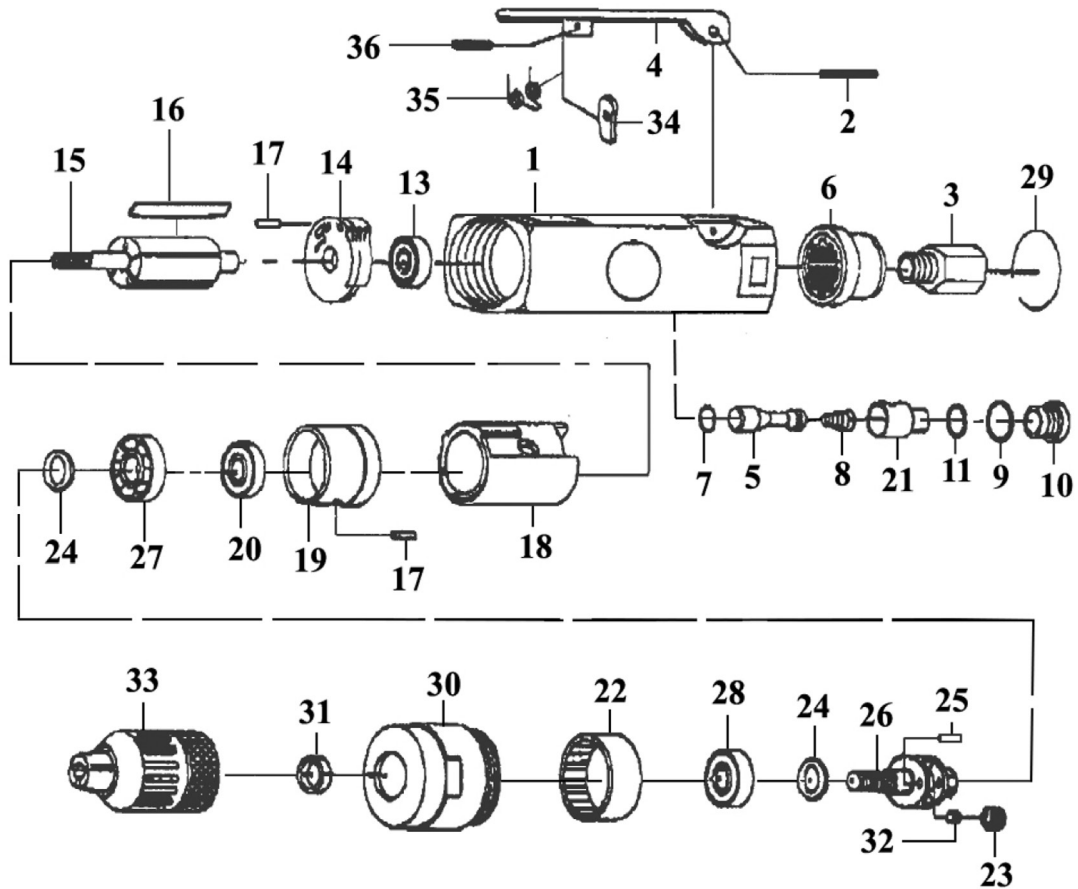




Parts Information:
**Air Drill Straight with 10mm Keyless Chuck
 Super-Duty
 Model No: SA622**



Item	Part No.	Description
1	SA622/01	Motor Housing
2	SA622/02	Spring Pin
3	SA622/03	Air Inlet
4	SA622/04	Throttle Lever
5	SA622/05	Valve Stem
6	SA622/06	Exhaust Diffuser
7	SA622/07	O-Ring
8	SA622/08	Valve spring
9	SA622/09	O-Ring
10	SA622/10	Throttle Valve Plug
11	SA622/11	O-Ring
13	B/626ZZ	Bearing
14	SA622/14	Rear End Plate
15	SA622/15	Rotor
16	SA622/16	Rotor Blades
17	SA622/17	Spring Pin
18	SA622/18	Cylinder
19	SA622/19	Front End Plate

Item	Part No.	Description
20	B/608ZZ	Bearing
21	SA622/21	Air Regulator
22	SA622/22	Internal Gear
23	SA622/23	Planet Gear
24	SA622/24	Spacer
25	SA622/25	Pin
26	SA622/26	Planet Cage
27	B/EE4	Bearing
28	B/6000ZZ	Bearing
29	SA622/29	Retainer Ring
30	SA622/30	Front Housing
31	SA622/31	Spacer
32	SA622/32	Needle Bearing
33	DC/J-38HC	Drill Chuck Keyless 3/8" x 24 UNF
34	SA622/34	Safety Bar
35	SA622/35	Spring
36	SA622/34	Spring Pin

NOTE: It is our policy to continually improve products and as such we reserve the right to alter data, specifications and component parts without prior notice. There may be alternative versions of this product, please contact us should you require this information.

IMPORTANT: No liability is accepted for incorrect use of product. Spare parts must be fitted by a competent person

WARRANTY: Guarantee is 12 months from purchase date, proof of which will be required for any claim.

Sealey Group, Kempson Way, Suffolk Business Park, Bury St Edmunds, Suffolk. IP32 7AR



01284 757500



01284 703534



sales@sealey.co.uk



www.sealey.co.uk