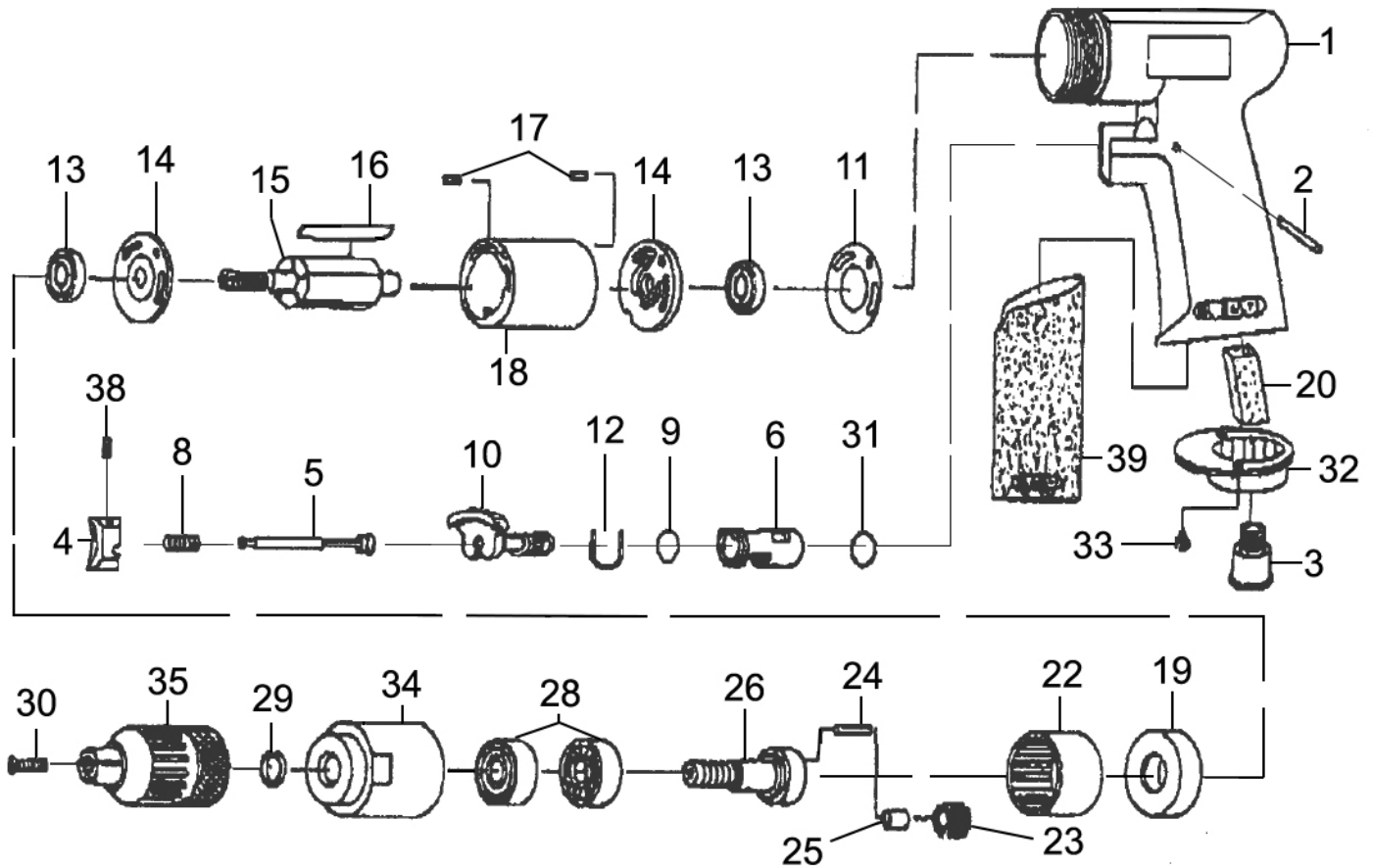


Parts Information:  
**Air Pistol Drill with 10mm Keyless Chuck  
 Super-Duty  
 Model No: SA620**



Item	Part No.	Description
1	SA620/01	Motor Housing
2	SA620/02	Pin
3	SA620/03	Air Inlet
4	SA620/04	Trigger
5	SA620/05	Valve Stem Set
6	SA620/06	Reverse Bushing
8	SA620/08	Valve Spring
9	SA620/09	O-Ring
10	SA620/10	Reverse Lever
11	SA620/11	Motor Gasket
12	SA620/12	Reverse Retainer
13	B/626ZZ	Bearing 626zz
14	SA620/14	End Plate
15	SA620/15	Rotor
16	SA620/16	Rotor Blade
17	SA620/17	Spring Pin
18	SA620/18	Cylinder

Item	Part No.	Description
19	SA620/19	Spacer
20	SA620/20	Damping Material
22	SA620/22	Internal Gear
23	SA620/23	Planet Gear
24	SA620/24	Pin
25	SA620/25	Bushing
26	SA620/26	Work Spindle
28	B/6201Z	Bearing 6201z
29	SA620/29	Chuck Spacer
30	SA620/30	Chuck Screw
31	SA620/31	O-Ring
32	SA620/32	Exhaust Diffuser
33	SA620/33	Screw
34	SA620/34	Clamp Nut
35	DC/J-38	Drill Chuck 3/8" x 24 UNF
38	GSM58.S	Grub Screw M5x8 (single)
39	SA620/39	Rubber Grip

**NOTE:** It is our policy to continually improve products and as such we reserve the right to alter data, specifications and component parts without prior notice. There may be alternative versions of this product, please contact us should you require this information.

**IMPORTANT:** No liability is accepted for incorrect use of product. Spare parts must be fitted by a competent person

**WARRANTY:** Guarantee is 12 months from purchase date, proof of which will be required for any claim.