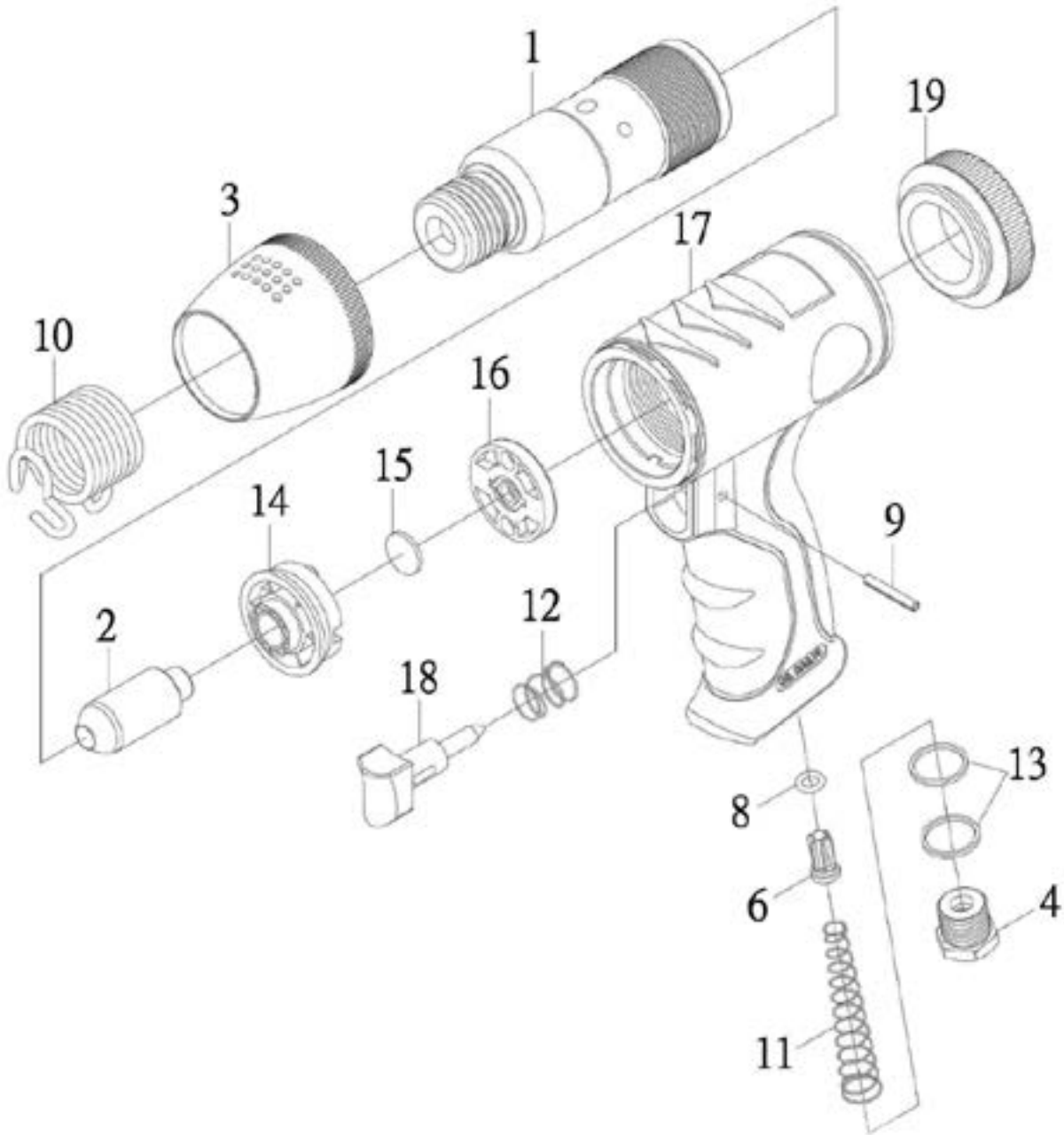


Parts Information:  
**Air Hammer Kit Composite Premier -  
 Medium Stroke**  
**Model No: SA613.V2**



Item	Part No.	Description
1	SA613.V2-01	Cylinder
2	SA613.V2-02	Piston
3	SA614.V2-03	Exhaust Deflector
4	SA614.V2-04	Air Inlet Bushing
6	SA614.V2-06	Valve Stem
8	SA614.V2-08	O-Ring
9	SA614.V2-09	Roll Pin
10	SA614.V2-10	Spring Retainer Dia 29.3
11	SA614.V2-11	Spring

Item	Part No.	Description
12	SA614.V2-12	Spring
13	SA614.V2-13	Shim Plate
14	SA614.V2-14	Valve Case
15	SA614.V2-15	Valve Disc
16	SA614.V2-16	Lid-Valve
17	SA614.V2-17	Housing
18	SA614.V2-18	Trigger
19	SA614.V2-19	Air Cushion
--	SA11R/17	Retaining Spring for Air Hammer (Not Shown)

**NOTE:** It is our policy to continually improve products and as such we reserve the right to alter data, specifications and component parts without prior notice. There may be alternative versions of this product, please contact us should you require this information.

**IMPORTANT:** No liability is accepted for incorrect use of product. Spare parts must be fitted by a competent person

**WARRANTY:** Guarantee is 12 months from purchase date, proof of which will be required for any claim.