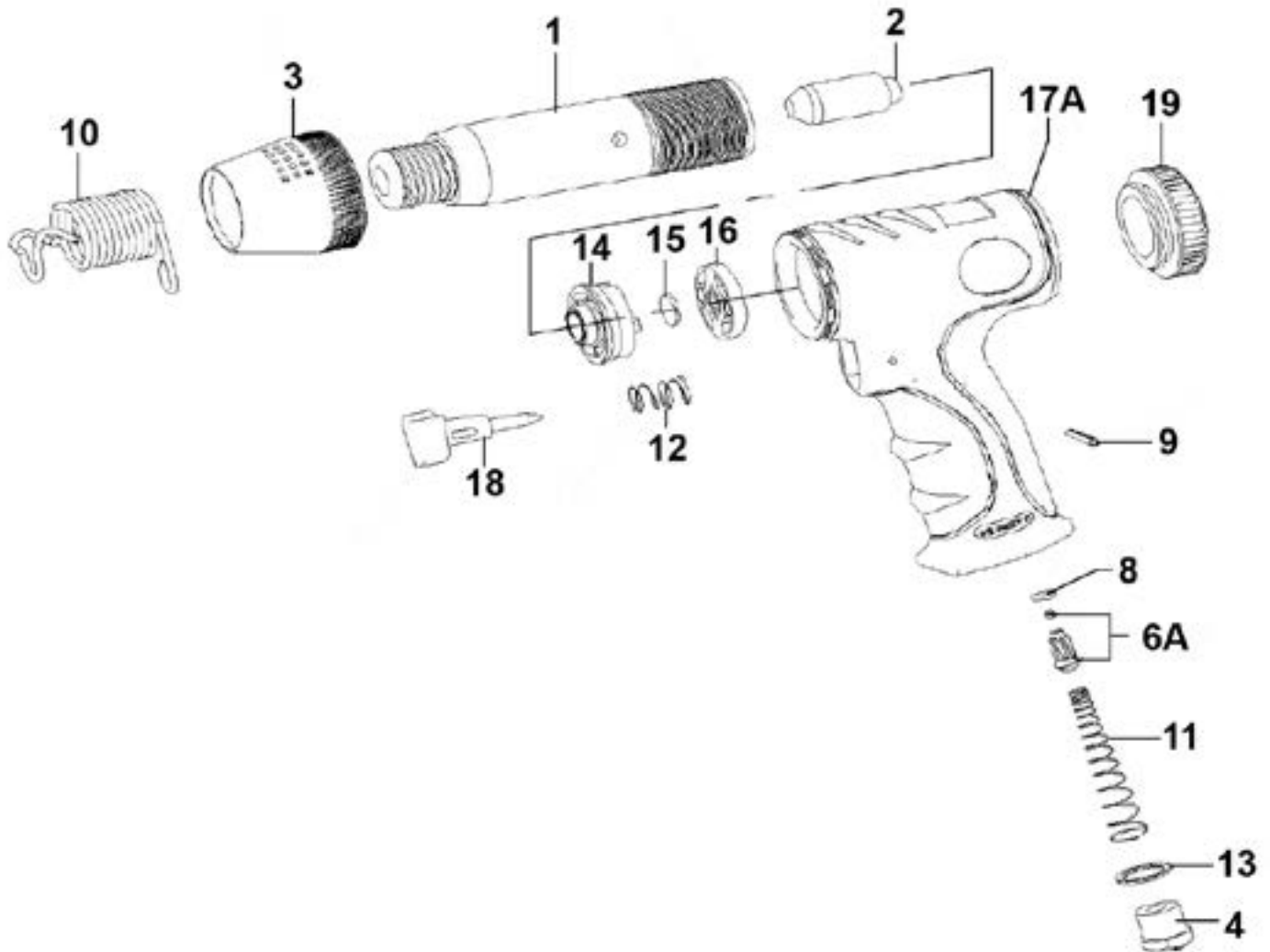




Parts Information:  
**Air Hammer Kit Composite Premier -  
 Medium Stroke**  
**Model No: SA613**



Item	Part No.	Description
1	SA613.01	Cylinder (120mm)
2	SA613.02	Piston (42mm)
3	SA613.03	Exhaust Deflector
4	SA613.04	Air Inlet
6A	SA613.06A	Valve Stem Ass'y
8	SA802.23	O-Ring, (Ex: 9.63 In: 6.07 Cs: 1.78)
9	SA613.09	Spring Pin M3.5 X 24
10	SA613.10	Spring Retainer Dia 34.8mm
11	SA613.11	Spring Conical
12	SA613.12	Spring Dia 14.2mm
13	SA613.13	Shim Plate

Item	Part No.	Description
14	SA613.14	Valve Case
15	SA613.15	Valve Disc
16	SA613.16	Lid-Valve
17A	SA613.17A	Housing Ass'y
18	SA613.18	Trigger
19	SA613.19	Air Cushion
--	SA613.05	Valve Sleeve (Not Shown)
--	SA613.06	Valve Stem (Not Shown)
--	SB-4.0	Steel Ball 4.0mm (Not Shown)
--	SA11R/17	Retaining Spring for Air Hammer (Not Shown)
--	SA613.17	Housing (Not Shown)

**NOTE:** It is our policy to continually improve products and as such we reserve the right to alter data, specifications and component parts without prior notice. There may be alternative versions of this product, please contact us should you require this information.

**IMPORTANT:** No liability is accepted for incorrect use of product. Spare parts must be fitted by a competent person

**WARRANTY:** Guarantee is 12 months from purchase date, proof of which will be required for any claim.

Sealey Group, Kempson Way, Suffolk Business Park, Bury St Edmunds, Suffolk. IP32 7AR



01284 757500



01284 703534



sales@sealey.co.uk



www.sealey.co.uk