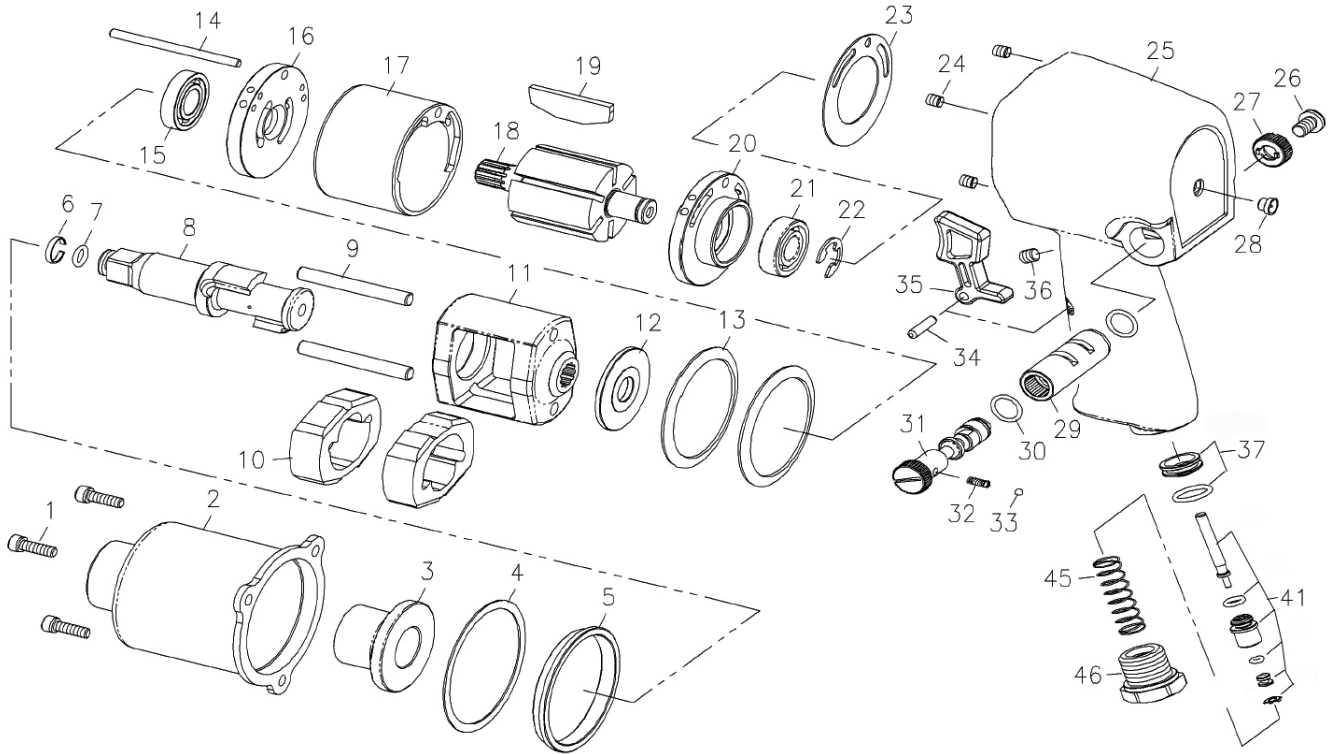




Parts Information:
**Air Impact Wrench 1/2" Sq Drive Twin
 Hammer**
Model No: SA602.V2



Item	Part No.	Description
1	SA602.V2-01	Screw 10-24 * 5/8"l
2	SA602.V2-02	Clutch Housing
3	SA602.V2-03	Anvil Bushing
4	SA602.V2-04	Front Gasket
5	SA602.V2-05	Clutch Housing Pilot
6	SA3S/18	Anvil collar 1/2" x 2.0mm
7	SA602.V2-07	O-Ring,, (Ex: 11.21 In: 7.65 Cs: 1.78)
8	SA602.V2-08	Anvil
9	SA602.V2-09	Hammer Pin
10	SA602.V2-10	Hammer Dog
11	SA602.V2-11	Hammer Cage
12	SA602.V2-12	Hammer Washer
13	SA602.V2-13	Disc Spring
14	SA602.V2-14	Cylinder Pin
15	B/EE4	Bearing EE4
16	SA602.V2-16	Front End Plate
17	SA602.V2-17	Cylinder
18	SA602.V2-18	Rotor
19	SA602.V2-19	Rotor Blade
20	SA602.V2-20	Rear End Plate
21	B/6001	Bearing 6001

Item	Part No.	Description
22	SA602.V2-22	E-Ring E10
23	SA602.V2-23	End Plate Gasket
24	SA602.V2-24	Recoil 10-24*2d
25	SA602.V2-25	Motor Housing Ass'y
26	SA602.V2-26	Screw 1/4" * 3/8"l
27	SA602.V2-27	Reverse Valve Knob
28	SA602.V2-28	Grease Fitting
29	SA602.V2-25	Motor Housing Ass'y
30	SA602.V2-30	O-Ring, (Ex: 14.38 In: 10.82 Cs: 1.78)
31	SA602.V2-31	Reverse Valve
32	SA602.V2-32	Spring Dia 3.2mm
33	SB-3.2	Steel Ball 3.2mm
34	SA602.V2-34	Steel Pin D4 * l20
35	SA602.V2-35	Trigger
36	SA602.V2-36	Screw npt 1/16" * 1/4"
37	SA602.V2-37	Throttle Bushing Ass'y
39	SA602.V2-39	Valve Tappet
41	SA602.V2-41	Valve Stem Ass'y
45	SA602.V2-45	Spring Dia 11mm
46	SA602.V2-46	Hose Fitting

NOTE: It is our policy to continually improve products and as such we reserve the right to alter data, specifications and component parts without prior notice. There may be alternative versions of this product, please contact us should you require this information.

IMPORTANT: No liability is accepted for incorrect use of product. Spare parts must be fitted by a competent person

WARRANTY: Guarantee is 12 months from purchase date, proof of which will be required for any claim.

Sealey Group, Kempson Way, Suffolk Business Park, Bury St Edmunds, Suffolk. IP32 7AR



01284 757500



01284 703534



sales@sealey.co.uk



www.sealey.co.uk