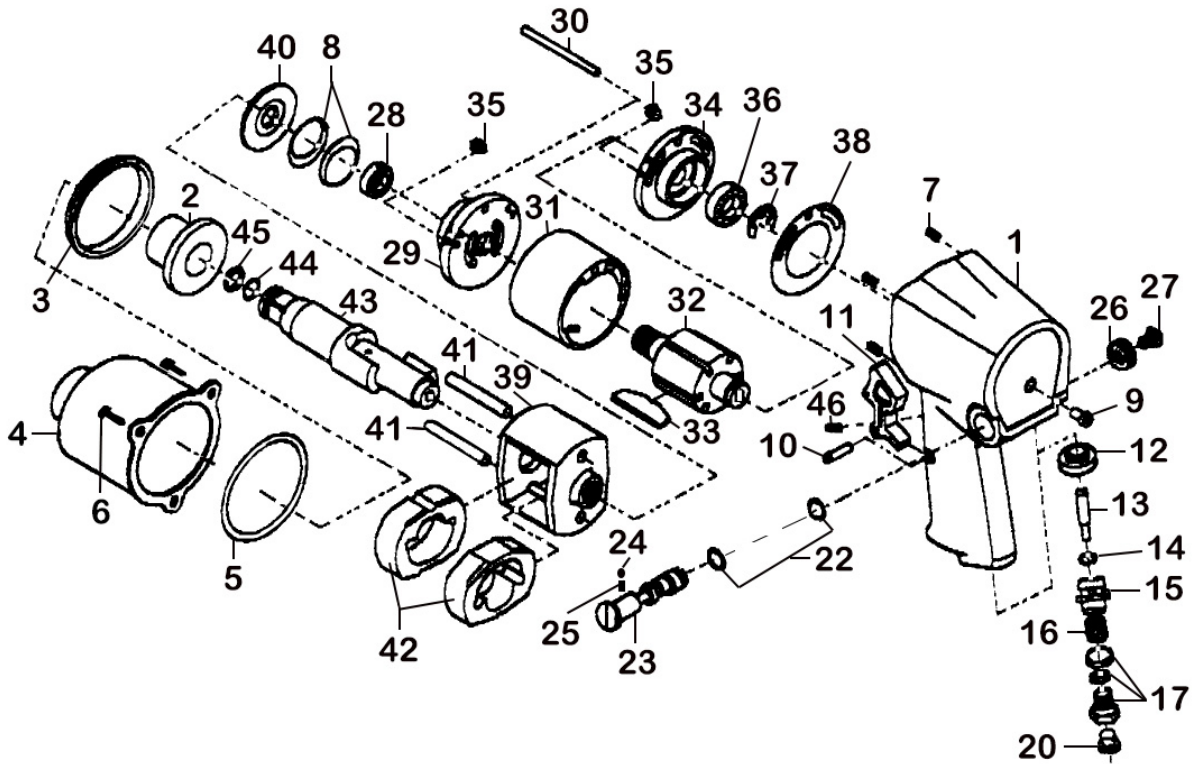




Parts Information:
Air Twin Hammer Impact Wrench 1/2" Sq Drive
Model No: SA602



Item	Part No.	Description
1	SA602/01	Motor Housing Assembly
2	SA602.V2-03	Anvil Bushing
3	SA602.V2-05	Clutch Housing Pilot
4	SA602.V2-02	Clutch Housing
5	SA602.V2-04	Front Gasket
6	SA602.V2-01	Screw 10-24 * 5/8"l
7	SA602/07	Insert
8	SA602/08	Motor Clamp Washer
9	SA602/09	Grease Fitting
10	SA602/10	Trigger Pin
11	SA602.V2-35	Trigger
12	SA602/12	Shim
13	SA602/13	Throttle Valve Stem
14	SA602/14	O-Ring
15	SA602/15	Throttle Valve
16	SA602/16	Throttle Valve Spring
17	SA602/17	Air Strainer Assembly
20	SA602/20	Boot
22	SA602.V2-30	O-Ring, (Ex: 14.38 In: 10.82 Cs: 1.78)
23	SA602.V2-31	Reverse valve
24	SB-3.2	Steel Ball 3.2mm
25	SA602.V2-32	Spring

Item	Part No.	Description
26	SA602.V2-27	Reverse Valve Knob
27	SA602.V2-26	Screw 1/4" * 3/8"l
28	B/EE4	Bearing EE4
29	SA602/29	Front End Plate
30	SA602.V2-14	Cylinder Pin
31	SA602/31	Cylinder
32	SA602.V2-18	Rotor
33	SA602/33	Rotor Blade (Set Of 6)
34	SA602/34	Rear End Plate
35	SA602/35	Plug
36	B/6001	Bearing 6001
37	SA602.V2-22	E-Ring E10
38	SA602.V2-23	End Plate Gasket
39	SA602/39	Hammer Frame
40	SA602/40	Hammer Frame Rear Washer
41	SA602.V2-09	Hammer Pin
42	SA602.V2-10	Hammer Dog
43	SA602/43	Anvil
44	SA602.V2-07	O-Ring, (p7), (Ex: 11.21 In: 7.65 Cs: 1.78)
45	SA3S/18	Anvil Collar 1/2" x 2.0mm
46	SA602/46	Grub Screw

NOTE: It is our policy to continually improve products and as such we reserve the right to alter data, specifications and component parts without prior notice. There may be alternative versions of this product, please contact us should you require this information.

IMPORTANT: No liability is accepted for incorrect use of product. Spare parts must be fitted by a competent person

WARRANTY: Guarantee is 12 months from purchase date, proof of which will be required for any claim.

Sealey Group, Kempson Way, Suffolk Business Park, Bury St Edmunds, Suffolk. IP32 7AR



01284 757500



01284 703534



sales@sealey.co.uk



www.sealey.co.uk