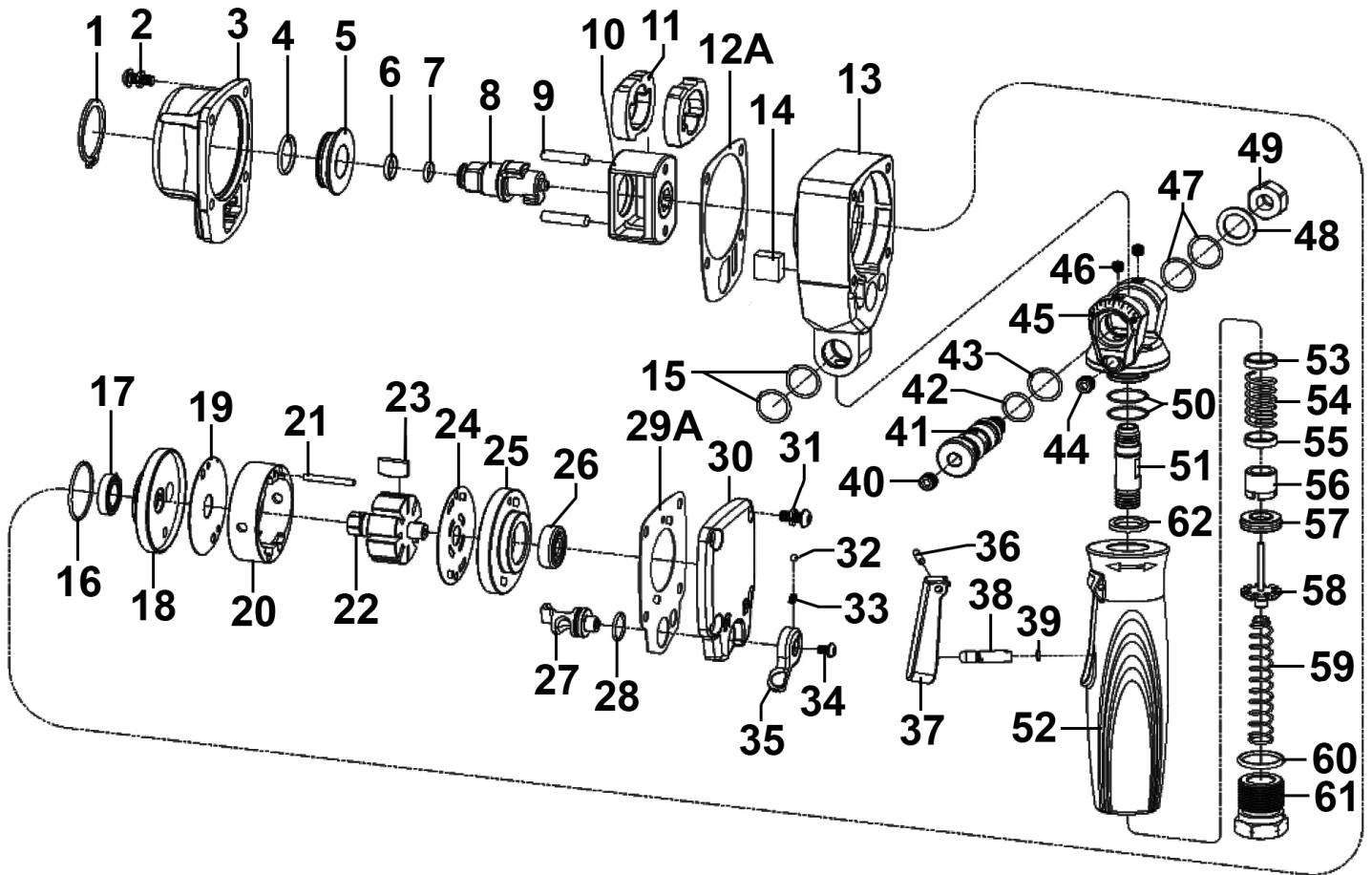


Parts Information:
Air Impact Wrench 1/2" Sq Drive Super Stubby - Twin Hammer
Model No: SA6010



Item	Part No.	Description
1	SA6010-01	External Circlip
2	SA6010-02	Hammer Case Screw M5 x 16L
3	SA6010-03	Hammer Case
4	SA6010-04	O-Ring Ø17 x 2
5	SA6010-05	Anvil Bushing
6	SA6010-06	Anvil Collar
7	SA6010-07	O-Ring Ø7 x 2
8	SA6010-08	Anvil
9	SA6010-09	Hammer Pin
10	SA6010-10	Hammer Cage
11	SA6010-11	Hammer Dog
12A	SA6010-12	Front Gasket
13	SA6010-13	Motor Housing
14	SA6010-14	Muffler
15	SA6010-15	O-Ring Ø15 x 1.5
16	SA6010-16	O-Ring Ø28 x 1.5
17	SA6010-17	Ball Bearing 6801
18	SA6010-18	Front Plate

Item	Part No.	Description
19	SA6010-19	Front Plate Washer
20	SA6010-20	Cylinder
21	SA6010-21	Spring Pin
22	SA6010-22	Rotor
23	SA6010-23	Rotor Blade
24	SA6010-24	Rear Plate Washer
25	SA6010-25	Rear Plate
26	B/608ZZ	Bearing 608zz
27	SA6010-27	Reverse Valve
28	SA6010-28	O-Ring Ø12 x 1.5
29A	SA6010-29	Rear Gasket
30	SA6010-30	Rear Cover
31	SA6010-31	Rear Cover Screw M5 x 16L
32	SB-3.0	Steel Ball 3.0mm
33	SA6010-33	Spring
34	SA6010-34	Screw M4 x 6L
35	SA6010-35	Reverse Lever
36	SA6010-36	Spring Pin

NOTE: It is our policy to continually improve products and as such we reserve the right to alter data, specifications and component parts without prior notice. There may be alternative versions of this product, please contact us should you require this information.

IMPORTANT: No liability is accepted for incorrect use of product. Spare parts must be fitted by a competent person

WARRANTY: Guarantee is 12 months from purchase date, proof of which will be required for any claim.



Parts Information:
**Air Impact Wrench 1/2" Sq Drive Super
Stubby - Twin Hammer**
Model No: SA6010

Item	Part No.	Description
37	SA6010-37	Trigger
38	SA6010-38	Trigger Pin
39	SA6010-39	O-Ring Ø3.5 x 1
40	GSM86.S	Grub Screw M8x6 (Single)
41	SA6010-41	Shaft
42	SA6010-42	O-Ring Ø12 x 1.5
43	SA6010-43	O-Ring Ø15 x 1.5
44	GSM86.S	Grub Screw M8x6 (Single)
45	SA6010-45	Turn Base
46	GSM55.S	Grub Screw M5x5 (Single)
47	SA6010-47	O-Ring Ø15 x 1.5
48	FWM12.S	Flat Washer M12 Zinc
49	NLN10.S	Nyloc Nut M10 Zinc

Item	Part No.	Description
50	SA6010-50	O-Ring Ø18 x 1
51	SA6010-51	Connecting Joint
52	SA6010-52	Handle Grip
53	SA6010-53	Bush (A)
54	SA6010-54	Spring
55	SA6010-55	Bush (B)
56	SA6010-56	Valve Stem Nut
57	SA6010-57	Retainer
58	SA6010-58	Valve Stem
59	SA6010-59	Spring
60	SA6010-60	O-Ring Ø18 x 2.5
61	SA6010-61	Hose Adaptor
62	SA6010-62	Washer

NOTE: It is our policy to continually improve products and as such we reserve the right to alter data, specifications and component parts without prior notice. There may be alternative versions of this product, please contact us should you require this information.

IMPORTANT: No liability is accepted for incorrect use of product. Spare parts must be fitted by a competent person

WARRANTY: Guarantee is 12 months from purchase date, proof of which will be required for any claim.

Sealey Group, Kempson Way, Suffolk Business Park, Bury St Edmunds, Suffolk. IP32 7AR



01284 757500



01284 703534



sales@sealey.co.uk



www.sealey.co.uk