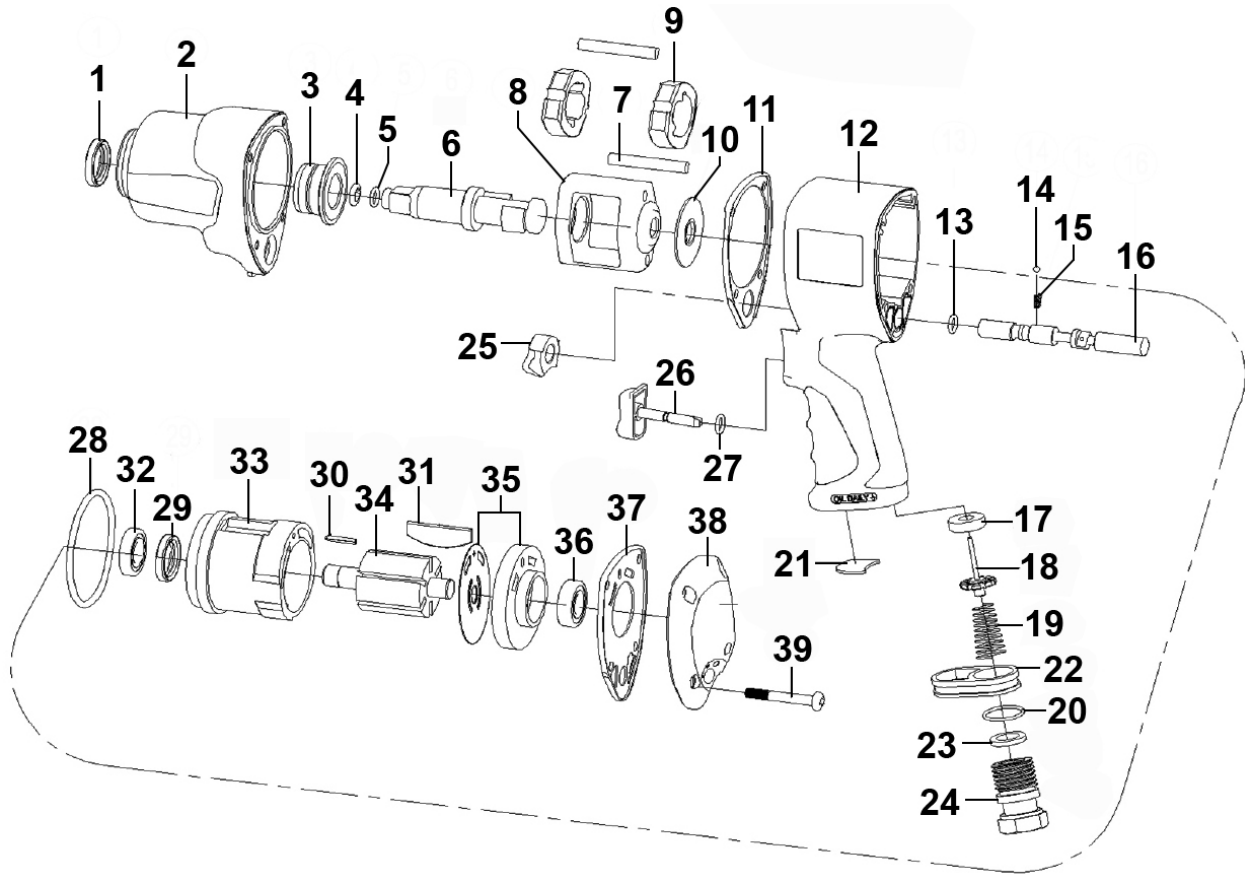


Parts Information:  
**Air Impact Wrench 3/4" Sq Drive Compact  
 Twin Hammer**  
**Model No: SA6004**



Item	Part No.	Description
1	SA6004.01	Oil Seal
2	SA6004.02	Hammer Case
3	SA6004.03	Bushing
4	SA6004.04	Anvil Collar
5	SA6004.05	O-ring, (Ex: 14.53 In: 9.39 Cs: 2.32)
6	SA6004.06	Anvil
7	SA6004.07	Hammer Pin
8	SA6004.08	Hammer Cage
9	SA6004.09	Hammer Dog
10	SA6004.10	Spacer
11	SA6004.11	Front Gasket
12	SA6004.12	Motor Housing
13	SA6004.13	O-Ring, (Ex: 16.18 In: 9.12 Cs: 3.53)
14	SB-3.2	Steel Ball 3.2mm
15	SA6004.15	Spring Dia 7.8mm
16	SA6004.16	Reverse Valve
17	SA6004.17	Retainer
18	SA6004.18	Valve Stem
19	SA6004.19	Spring Dia 15.5mm
20	SA6004.20	O-Ring, (Ex: 22.69 In: 18.03 Cs: 2.33)

Item	Part No.	Description
21	SA6004.21	Muffler
22	SA6004.22	Exhaust Deflector
23	SA6004.23	Seal Ring
24	SA6004.24	Hose Adaptor
25	SA6004.25	Regulator Knob
26	SA6004.26	Trigger
27	SA6004.27	O-Ring, (Ex: 5.66 In: 3.48 Cs: 1.09)
28	SA6007.21	O-Ring, (Ex: 57.26 In: 53.70 Cs: 1.78)
29	SA6004.29	Oil Seal 15*23*3
30	SA291.V3-49	Spring Pin M3.2 X 18
31	SA6004.31	Rotor Blade
32	B/6002ZZ	Bearing 6002zz
33	SA6004.33	Cylinder
34	SA6004.34	Rotor
35	SA6004.35	Rear Plate
36	B/6000ZZ	Bearing 6000zz
37	SA6004.37	Rear Gasket
38	SA6004.38	Rear Cover
39	SA6004.39	Screw

**NOTE:** It is our policy to continually improve products and as such we reserve the right to alter data, specifications and component parts without prior notice. There may be alternative versions of this product, please contact us should you require this information.

**IMPORTANT:** No liability is accepted for incorrect use of product. Spare parts must be fitted by a competent person

**WARRANTY:** Guarantee is 12 months from purchase date, proof of which will be required for any claim.