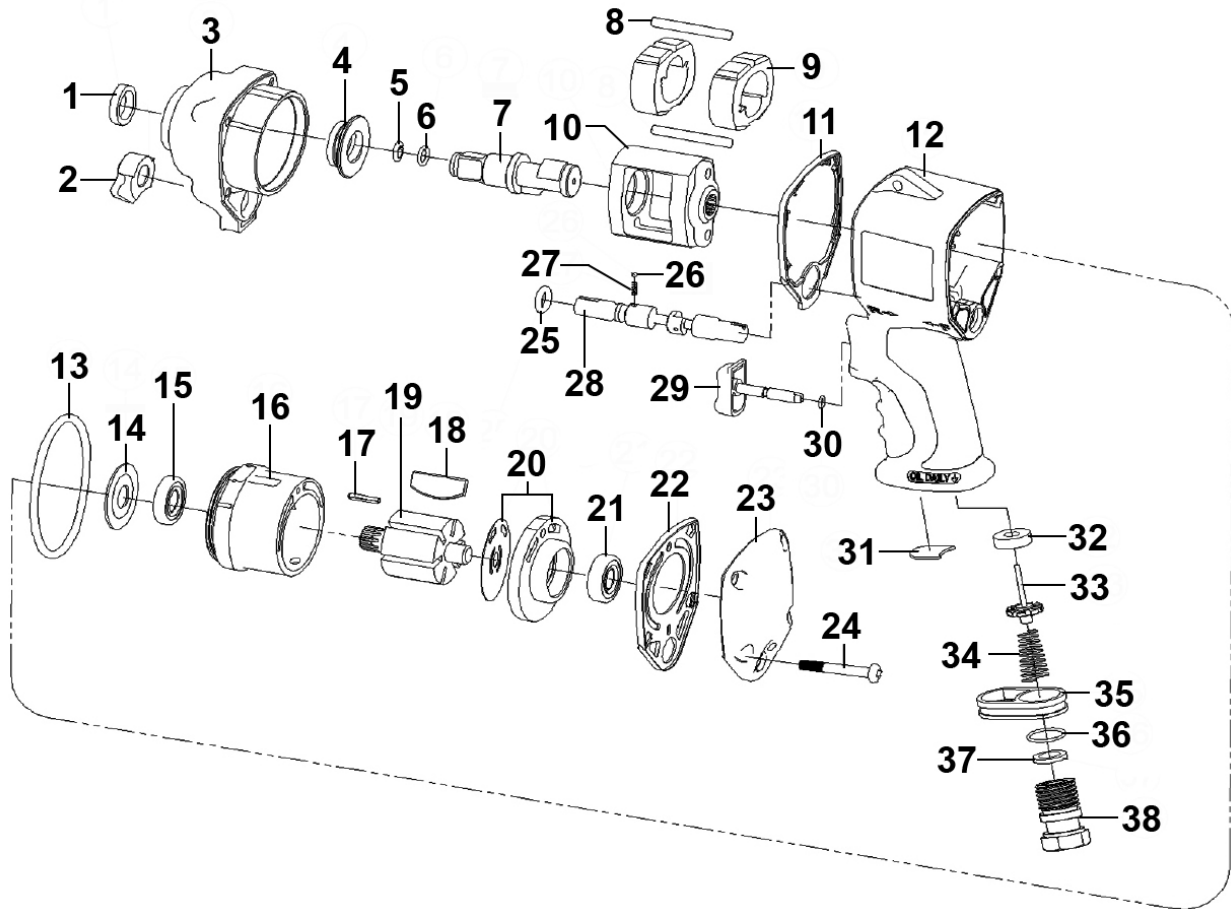


Parts Information:
**Air Impact Wrench 1/2" Sq Drive Stubby
 Twin Hammer**
Model No: SA6002S



Item	Part No.	Description
1	SA6002S.01	Oil Seal 17*25*3
2	SA6002.V3-25	Regulator Knob
3	SA6002S.03	Hammer Case
4	SA6002S.04	Bushing
5	SA6006.17	Socket retainer
6	GSA08.09-4	O-ring, (Ex: 11.21 In: 7.65 Cs: 1.78)
7	SA6002S.07	Anvil (1/2"dr)
8	SA6002S.08	Hammer Pin
9	SA6002S.09	Hammer Dog
10	SA6002S.10	Hammer Cage
11	SA6002S.11	Front gasket
12	SA6002S.12	Motor Housing
13	SA6002S.13	O-Ring, (Ex: 47.73 In: 44.17 Cs: 1.78)
14	SA6002S.14	Disc
15	B/R8	Bearing R8
16	SA6002S.16	Cylinder
17	SA6002.V3-32	Spring Pin M3 X 18
18	SA6002S.18	Rotor Blade
19	SA6002S.19	Rotor

Item	Part No.	Description
20	SA6002S.20	Rear Plate
21	B/608ZZ	Bearing 608zz
22	SA6002S.22	Rear Gasket
23	SA6002S.23	Rear Cover
24	SA6002S.24	Screw
25	SA6002.V3-13	O-Ring, (Ex: 16.23 In: 9.12 Cs: 3.53)
26	SB-3.0	Steel ball 3.0mm
27	SA6002.V3-15	Spring Dia 3mm
28	SA6002S.28	Reverse Valve
29	SA6002.V3-26	Trigger
30	SA6002.V3-27	O-Ring, (Ex: 5.81 In: 3.62 Cs: 1.10)
31	SA6002.V3-24	Muffler
32	SA6002.V3-17	Retainer
33	SA6002.V3-18	Valve Stem
34	SA6002S.34	Spring Conical
35	SA6002.V3-20	Exhaust Deflector
36	SA6002.V3-21	O-Ring, (Ex: 22.78 In: 18.09 Cs: 2.35)
37	SA6002.V3-22	Seal Ring
38	SA6002.V3-23	Hose Adaptor (19pf-bsp)

NOTE: It is our policy to continually improve products and as such we reserve the right to alter data, specifications and component parts without prior notice. There may be alternative versions of this product, please contact us should you require this information.

IMPORTANT: No liability is accepted for incorrect use of product. Spare parts must be fitted by a competent person

WARRANTY: Guarantee is 12 months from purchase date, proof of which will be required for any claim.