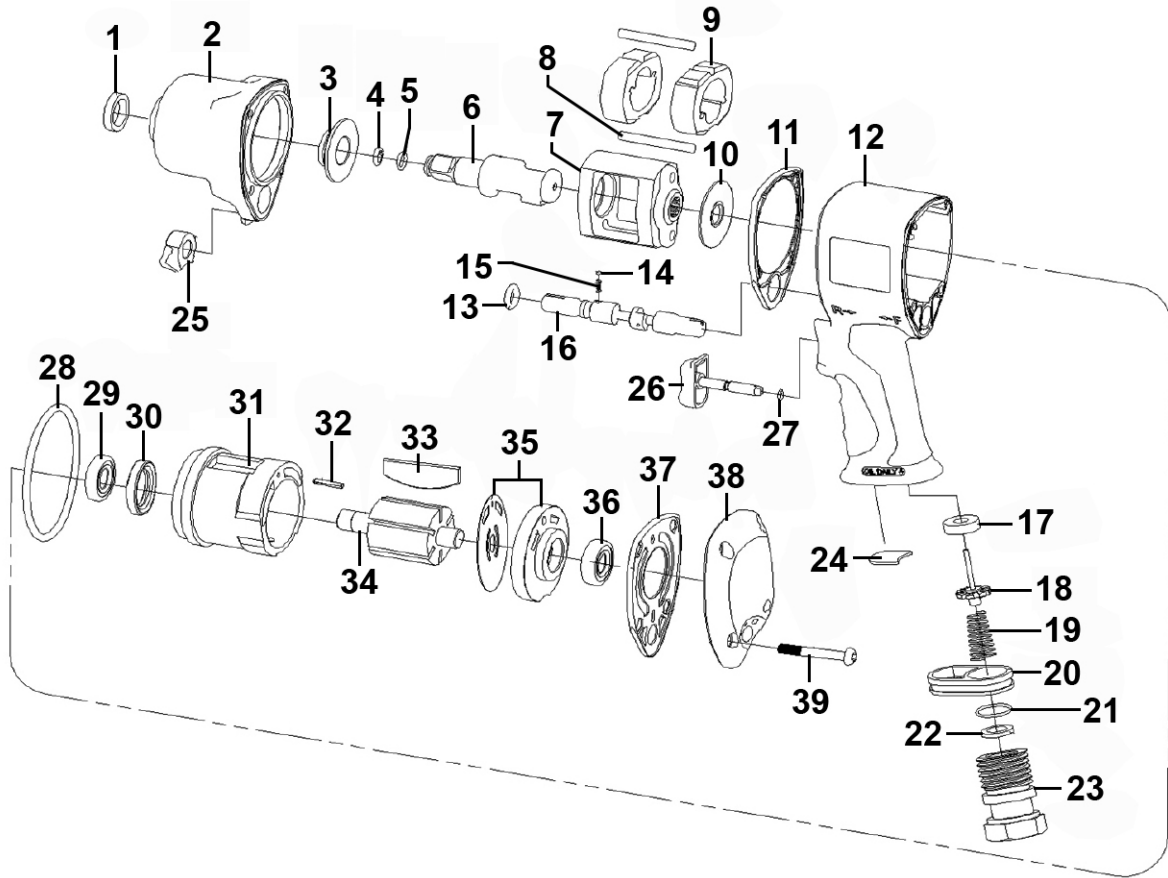


Parts Information:
Air Impact Wrench 1/2" Sq Drive Twin Hammer
Model No: SA6002.V3



Item	Part No.	Description
1	SA6002.V3-01	Oil Seal
2	SA6002.V3-02	Hammer Case
3	SA6002.V3-03	Bushing
4	SA6006.17	Socket Retainer
5	GSA08.09-4	O-Ring, (Ex: 11.21 In: 7.65 Cs: 1.78)
6	SA6002.V3-06	Anvil
7	SA6002.V3-07	Hammer Cage
8	SA6002.V3-08	Hammer Pin
9	SA6002.V3-09	Hammer Dog
10	SA6002.V3-10	Washer
11	SA6002.V3-11	Front Gasket
12	SA6002.V3-12	Motor Housing
13	SA6002.V3-13	O-Ring, (Ex: 16.23 In: 9.12 Cs: 3.53)
14	SA6002.V3-14	Steel Ball 3.0mm
15	SA6002.V3-15	Spring Dia 3mm
16	SA6002.V3-16	Reverse Valve
17	SA6002.V3-17	Retainer
18	SA6002.V3-18	Valve Stem
19	SA6002.V3-19	Spring Conical
20	SA6002.V3-20	Exhaust Deflector

Item	Part No.	Description
21	SA6002.V3-21	O-Ring, (Ex: 22.78 In: 18.09 Cs: 2.35)
22	SA6002.V3-22	Seal Ring
23	SA6002.V3-23	Hose Adaptor (19pf-bsp)
24	SA6002.V3-24	Muffler
25	SA6002.V3-25	Regulator Knob
26	SA6002.V3-26	Trigger
27	SA6002.V3-27	O-Ring, (Ex: 5.81 In: 3.62 Cs: 1.10)
28	SA6007.21	O-Ring, (Ex: 57.26 In: 53.70 Cs: 1.78)
29	B/R6	Bearing R6
30	GSA6006.13	Oil Seal
31	SA6002.V3-31	Cylinder
32	SA6002.V3-32	Spring Pin M3 X 18
33	SA6002.V3-33	Rotor Blade
34	SA6002.V3-34	Rotor
35	SA6002.V3-35	Rear Plate
36	B/608Z	Bearing 608z
37	SA6002.V3-37	Rear Gasket
38	SA6002.V3-38	Rear Cover
39	SA6002.V3-39	Screw

NOTE: It is our policy to continually improve products and as such we reserve the right to alter data, specifications and component parts without prior notice. There may be alternative versions of this product, please contact us should you require this information.

IMPORTANT: No liability is accepted for incorrect use of product. Spare parts must be fitted by a competent person

WARRANTY: Guarantee is 12 months from purchase date, proof of which will be required for any claim.