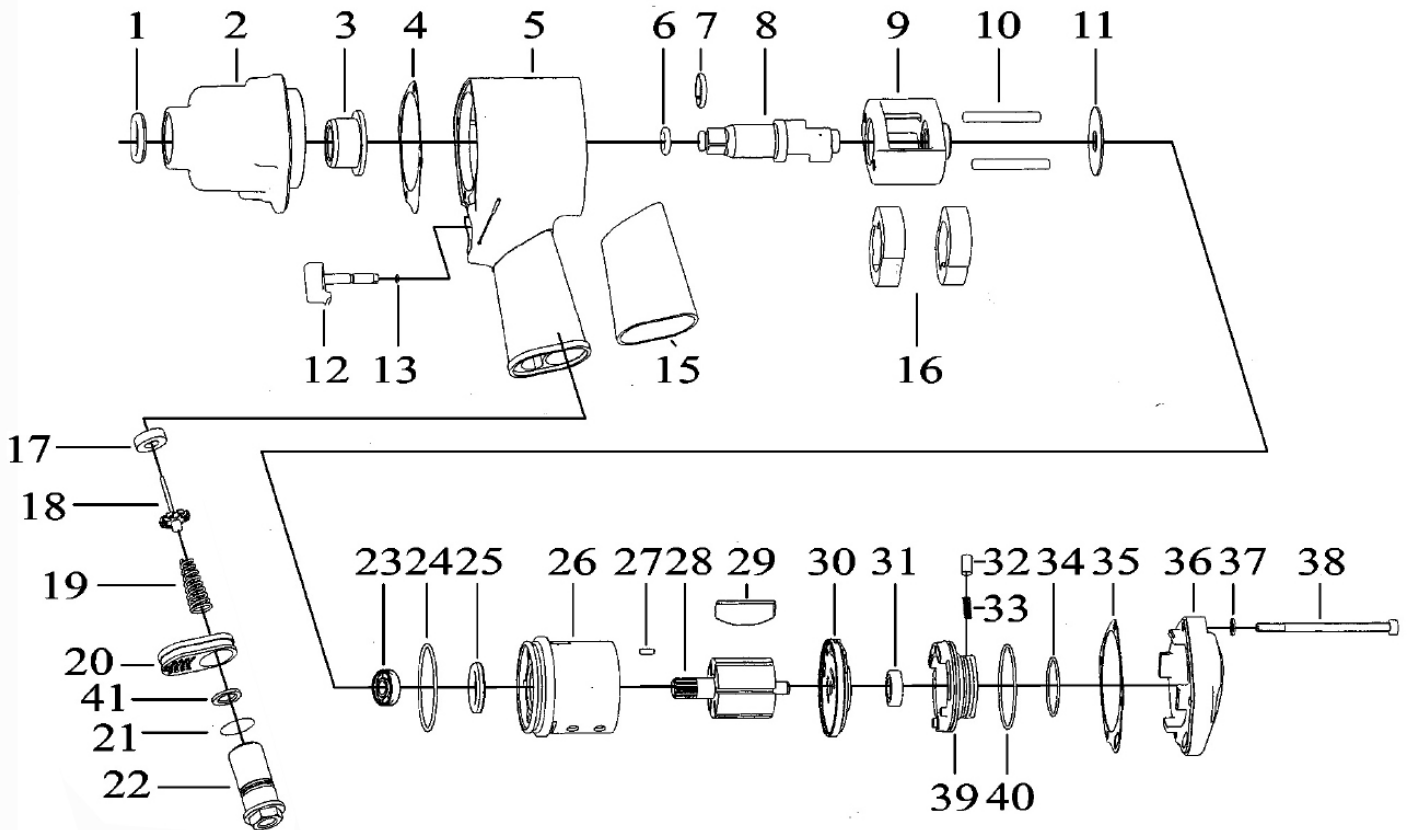


Parts Information:
Air Impact Wrench 1/2" Sq Drive Twin Hammer
Model No: SA6002



Item	Part No.	Description
1	SA6002.01	Oil Seal
2	SA6002.02	Hammer Case
3	SA6002.03	Bushing
4	SA6002.04	Front Gasket
5	SA6002.05	Motor Housing
6	SA6002.06	O-Ring, (Ex: 11.21 In: 7.65 Cs: 1.78)
7	SA3S/18	Anvil Collar 1/2" x 2.0mm
8	SA6002.08	Anvil
9	SA6002.09	Hammer Cage
10	SA6002.10	Hammer Pin
11	SA6002.11	Disc
12	SA6002.12	Trigger
13	SA6002.13	O-Ring, (Ex: 5.67 In: 3.62 Cs: 1.03)
15	SA6002.15	Rubber
16	SA6002.16	Hammer Dog
17	SA6002.17	Retainer
18	SA6002.V3-18	Valve Stem
19	SA6002.19	Spring
20	SA6002.20	Exhaust Deflector
21	SA6002.21	O-Ring, (Ex: 22.84 In: 18 Cs: 2.42)
22	SA6002.22	Hose Adaptor

Item	Part No.	Description
23	B/7R8ZZ	Bearing 7r8zz
24	SA6002.24	O-Ring
25	SA6002.25	Oil Seal
26	SA6002.26A	Cylinder
27	SA6002.27	Spring Pin
28	SA6001.31	Rotor
29	SA6002.29	Rotor Blade
30	SA6002.30	Rear Plate
31	B/608ZZ	Bearing 608zz
32	SA6002.32	Pin
33	SA6002.33	Spring
34	SA6002.34	O-Ring
35	SA6002.35	Rear Gasket
36	SA6002.36	Rear Cover
37	SA6002.37	O-Ring, (Ex: 8.84 In: 5.28 Cs: 1.78)
38	SCB590.SB	Socket Cap Bolt M5 x 90mm Black
39	SA6002.39	Reverse Lever
40	SA6002.24	O-Ring
41	SA6002.41	Seal Ring
--	SA6002.14	Spring Pin (Not Shown)

NOTE: It is our policy to continually improve products and as such we reserve the right to alter data, specifications and component parts without prior notice. There may be alternative versions of this product, please contact us should you require this information.

IMPORTANT: No liability is accepted for incorrect use of product. Spare parts must be fitted by a competent person

WARRANTY: Guarantee is 12 months from purchase date, proof of which will be required for any claim.