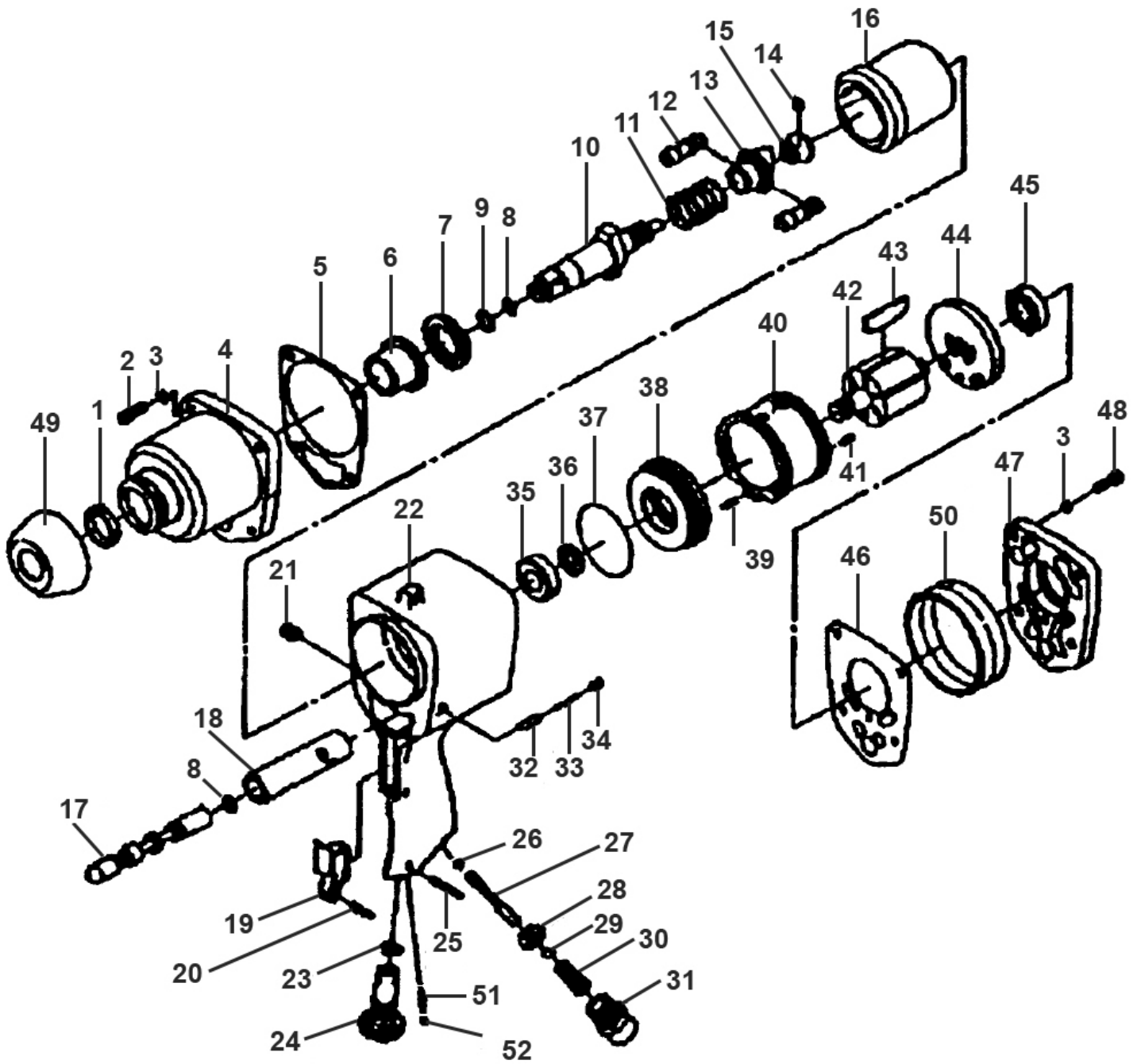




Parts Information:
Air Impact Wrench 1/2" Sq Drive Extra
Heavy-Duty
Model No: SA5S



NOTE: It is our policy to continually improve products and as such we reserve the right to alter data, specifications and component parts without prior notice. There may be alternative versions of this product, please contact us should you require this information.

IMPORTANT: No liability is accepted for incorrect use of product. Spare parts must be fitted by a competent person

WARRANTY: Guarantee is 12 months from purchase date, proof of which will be required for any claim.

Sealey Group, Kempson Way, Suffolk Business Park, Bury St Edmunds, Suffolk. IP32 7AR



01284 757500



01284 703534



sales@sealey.co.uk



www.sealey.co.uk



Parts Information:
**Air Impact Wrench 1/2" Sq Drive Extra
Heavy-Duty
Model No: SA5S**

Item	Part No.	Description
1	SA5S/01	Oil Seal
2	SA5S/02	Cap screw
3	SWM5.SB	Spring Washer M5 Black (Single)
4	SA5S/04	Hammer Case
5	SA5S/05	Front Gasket
6	SA5S/06	Anvil Bushing
7	SA5S/07	Spacer
8	SA5S/08	O-Ring
9	SA3S/18	Anvil Collar 1/2" x 2.0mm
10	SA5S/10	Anvil
11	SA5S/11	Spring
12	SA5S.V3-12	Hammer Pin
13	SA5S/13	Driver Cam
14	SB-79	Steel Ball 7.9mm
15	SA5S/15	Driver Cam Base
16	SA5S/16	Hammer Cage
17	SA5S/17	Reverse Valve
18	SA5S/18	Valve Sleeve
19	SA5S/19	Trigger
20	SA2/05	Spring Pin M3 X 14
21	SA5S/21	Screw
22	SA5S/22	Housing
23	SA5S/23	O-Ring
24	SA5S.V3-24F	Air Regulator
25	SA5S/25	Spring Pin
26	SA5S/26	O-Ring

Item	Part No.	Description
27	SA5S/27	Valve Stem
28	SA5S/28	Bushing
29	SB-9.5	Steel Ball 9.5mm
30	SA5S/30	Spring
31	SA5S/31	Hose Adaptor
32	SA5S/32	Pin
33	SA5S/33	Spring
34	SA5S/34	Set screw
35	B/6001Z	Bearing
36	SA5S/36	Oil Seal
37	SA5S/37	O-Ring
38	SA5S/38	Front End Plate
39	SA5S/39	Spring Pin
40	SA5S/40	Cylinder
41	SA5S/41	Spring Pin
42	SA5S/42	Rotor
43	SA5S/43	Rotor Blade
44	SA5S/44	Rear End Plate
45	B/6201Z	Bearing 6201z
46	SA5S/46	Rear Gasket
47	SA5S/47	Rear Cover
48	SA5S/48	Cap Screw
49	SA5S/49	Protection Rubber
50	SA5S/50	Protection, Rubber
51	SA5S/51	Spring
52	SA5S/52	Ball, Steel

NOTE: It is our policy to continually improve products and as such we reserve the right to alter data, specifications and component parts without prior notice. There may be alternative versions of this product, please contact us should you require this information.

IMPORTANT: No liability is accepted for incorrect use of product. Spare parts must be fitted by a competent person

WARRANTY: Guarantee is 12 months from purchase date, proof of which will be required for any claim.

Sealey Group, Kempson Way, Suffolk Business Park, Bury St Edmunds, Suffolk. IP32 7AR



01284 757500



01284 703534



sales@sealey.co.uk



www.sealey.co.uk