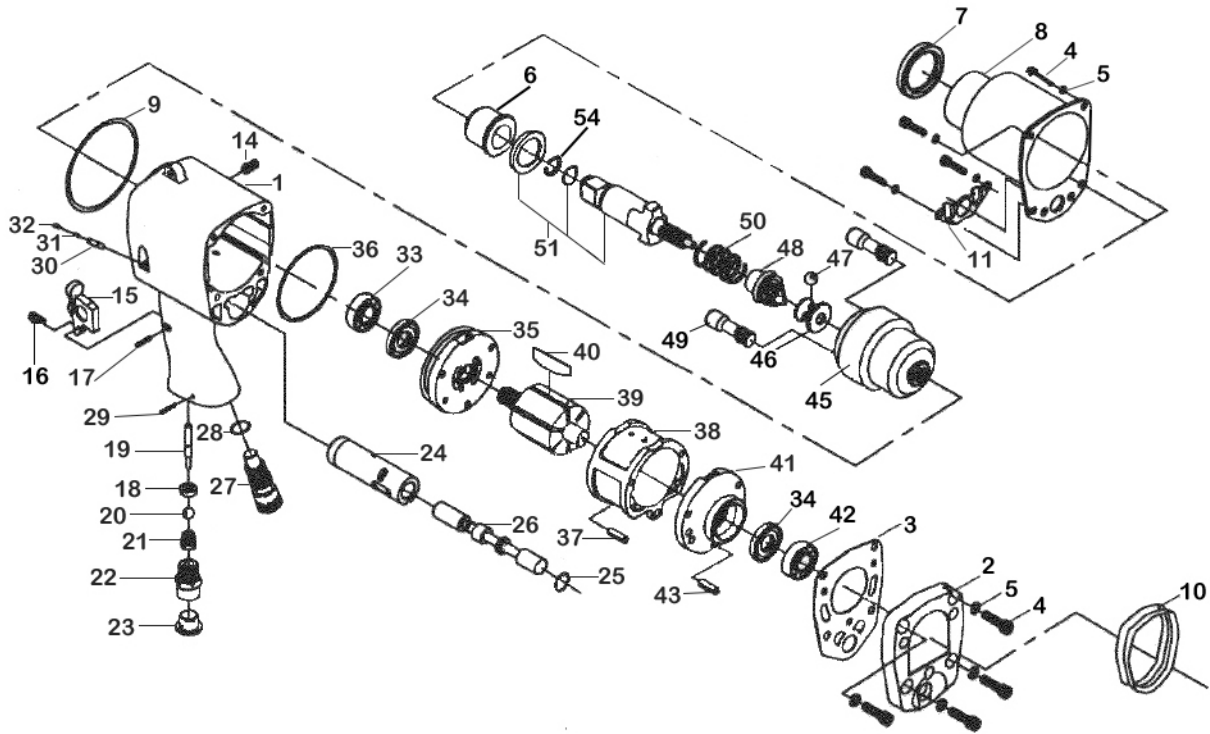


Parts Information:
Air Impact Wrench 3/4" Sq Drive Extra Heavy-Duty
Model No: SA59.V2



| Item | Part No. | Description |
|------|--------------|-------------------|
| 1 | SA59.V2-01 | Motor Housing |
| 2 | SA59.V2-02 | Rear Cover |
| 3 | SA59.V2-03 | Rear Gasket |
| 4 | SA59.V2-04 | Screw |
| 5 | SA59.V2-05 | Spring Washer |
| 6 | SA59.V2-06 | Anvil Bushing |
| 7 | SA59.V2-07 | Oil Seal |
| 8 | SA59.V2-08 | Clutch Housing |
| 9 | SA59.V2-09 | O-Ring |
| 10 | SA59.V2-10 | Protecting Rubber |
| 11 | SA59.V2-11 | Muffle Plate |
| 14 | SA59.V2-14 | Screw |
| 15 | SA59.V2-15 | Trigger |
| 16 | SA59.V2-16 | Screw |
| 17 | SA59.V2-17 | Pin |
| 18 | SA59.V2-18 | Valve Seat |
| 19 | SA59.V2-19 | Throttle Pin |
| 20 | SB-9.5 | Steel Ball 9.5mm |
| 21 | SA59.V2-21 | Spring |
| 22 | SA59.V2-22-1 | Hose Fitting |
| 23 | SA59.V2-23 | Dust Cover |
| 24 | SA59.V2-24 | Valve Sleeve |
| 25 | SA59.V2-25 | O-Ring |
| 26 | SA59.V2-26 | Reverse Valve |
| 27 | SA59.V2-27 | Air Regulator |

| Item | Part No. | Description |
|------|------------|---------------------------|
| 28 | SA59.V2-28 | O-Ring |
| 29 | SA59.V2-29 | Pin |
| 30 | SA59.V2-30 | Pin |
| 31 | SA59.V2-31 | Spring |
| 32 | SA59.V2-32 | Screw |
| 33 | B/6002Z | Bearing 6002z |
| 34 | SA59.V2-34 | Oil Seal |
| 35 | SA59.V2-35 | Front End Plate |
| 36 | SA59.V2-36 | O-Ring |
| 37 | SA59.V2-37 | Pin |
| 38 | SA59.V2-38 | Cylinder |
| 39 | SA59.V2-39 | Rotor |
| 40 | SA59.V2-40 | Rotor Blade |
| 41 | SA59.V2-41 | Rear End Plate |
| 42 | B/6002 | Bearing 6002 |
| 43 | SA59.V2-43 | Pin |
| 45 | SA59.V2-45 | Hammer Cage |
| 46 | SA59.V2-46 | Drive Cam Base |
| 47 | SA59.V2-47 | Ball |
| 48 | SA59.V2-48 | Drive Cam |
| 49 | SA59.V2-49 | Hammer Bar |
| 50 | SA59.V2-50 | Hammer Spring |
| 51 | SA59.V2-51 | Anvil |
| 54 | SA4.V2-06 | Anvil collar 3/4" x 2.0mm |

NOTE: It is our policy to continually improve products and as such we reserve the right to alter data, specifications and component parts without prior notice. There may be alternative versions of this product, please contact us should you require this information.

IMPORTANT: No liability is accepted for incorrect use of product. Spare parts must be fitted by a competent person

WARRANTY: Guarantee is 12 months from purchase date, proof of which will be required for any claim.