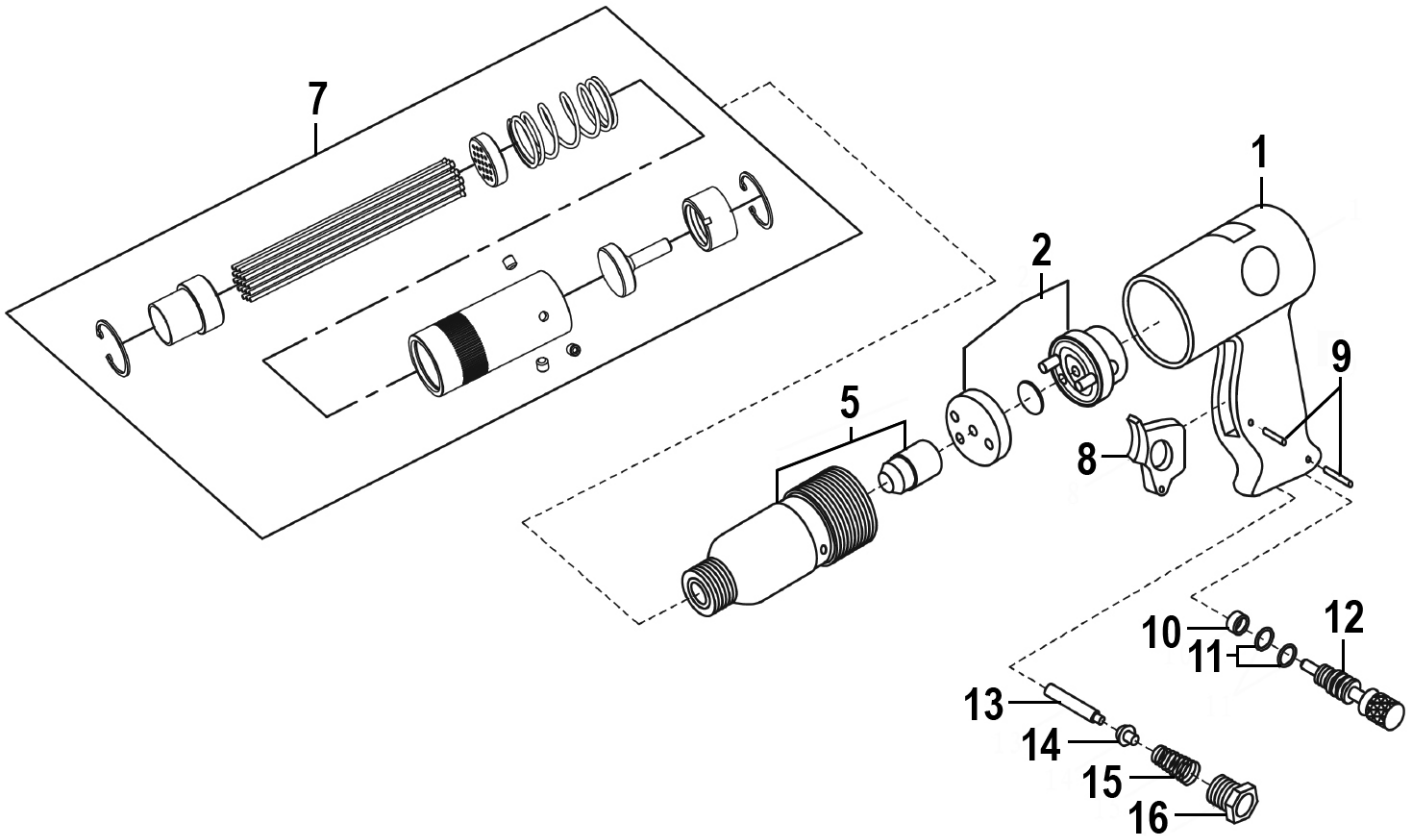




Parts Information:
Air Needle Scaler - Pistol Type
Model No: SA50.V3



Item	Part No.	Description
1	SA50.V3-01	Main Housing
2	SA50.V3-02A	Valve Plate Assembly
5	SA50.V3-05A	Cylinder (c/w Piston
7	SA50.V3-07	Needle Sleeve Assembly
8	SA50.V3-08	Trigger
9	SA50.V3-09	Straight Pin (3x16)
10	SA50.V3-10	Throttle Valve

Item	Part No.	Description
11	SA50.V3-11	O-Ring (8x1.9)
12	SA50.V3-12	Adjusting Regulator Valve
13	SA50.V3-13	Air Valve Pin
14	SA50.V3-14	Air Inlet Valve
15	SA50.V3-15	Air Inlet Taper Spring Dia 14.0mm
16	SA50.V3-16	Air Inlet Connector
--	SA50.02	Needle Set 19pc 3 x 180mm (Not Shown)

NOTE: It is our policy to continually improve products and as such we reserve the right to alter data, specifications and component parts without prior notice. There may be alternative versions of this product, please contact us should you require this information.

IMPORTANT: No liability is accepted for incorrect use of product. Spare parts must be fitted by a competent person

WARRANTY: Guarantee is 12 months from purchase date, proof of which will be required for any claim.

Sealey Group, Kempson Way, Suffolk Business Park, Bury St Edmunds, Suffolk. IP32 7AR



01284 757500



01284 703534



sales@sealey.co.uk



www.sealey.co.uk