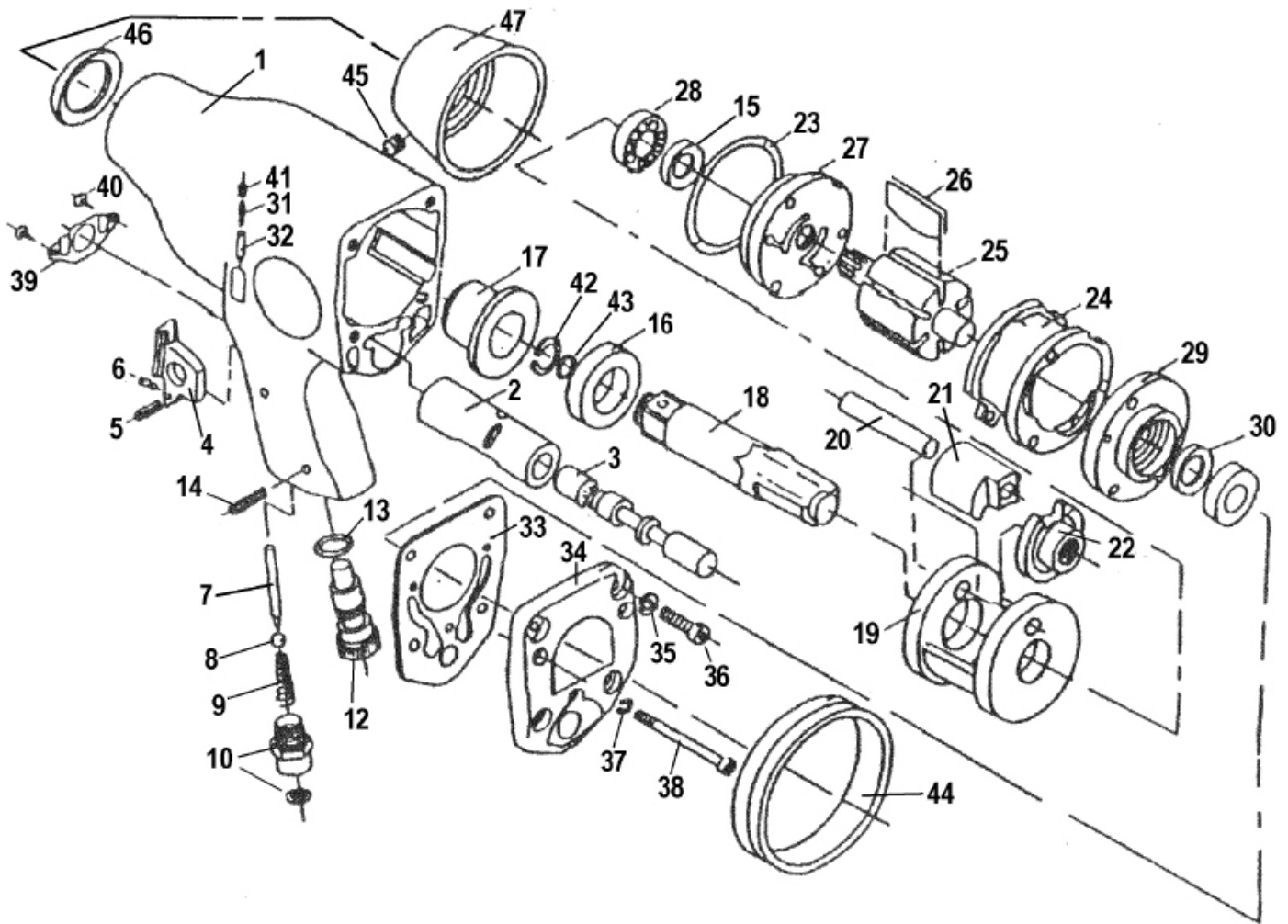




Parts Information:
Air Impact Wrench 3/4" Sq Drive Heavy-Duty
Model No: SA4



NOTE: It is our policy to continually improve products and as such we reserve the right to alter data, specifications and component parts without prior notice. There may be alternative versions of this product, please contact us should you require this information.

IMPORTANT: No liability is accepted for incorrect use of product. Spare parts must be fitted by a competent person

WARRANTY: Guarantee is 12 months from purchase date, proof of which will be required for any claim.

Sealey Group, Kempson Way, Suffolk Business Park, Bury St Edmunds, Suffolk. IP32 7AR



01284 757500



01284 703534



sales@sealey.co.uk



www.sealey.co.uk



Parts Information:
Air Impact Wrench 3/4" Sq Drive Heavy-Duty
Model No: SA4

Item	Part No.	Description
1	SA4/01	Housing
2	SA4/02	Valve Sleeve
3	SA4/03	Reverse Valve
4	SA4/04	Trigger
5	SA4/05	Trigger Pin
6	SA4/06	Trigger Screw
7	SA4/07	Valve Stem
8	SB-11.0	Steel Ball 11.0mm
9	SA4/09	Spring, Air Inlet
10	SA4/10	Hose Adaptor c/w Screen
12	SA4/12	Air Regulator
13	SA4/13	O-Ring
14	SA4/14	Pin
15	SA4/15	Oil Seal
16	SA4/16	Spacer, Anvil
17	SA4/17	Bushing, Anvil
18	SA4/18	Anvil (3/4" sq.)
19	SA4/19A	Hammer Cage 10.5mm
20	SA4/20A	Hammer Pin 10.5mm
21	SA4/21A	Hammer Dog 10.5mm Pin
22	SA4/22A	Drive Cam 10.5mm Pin
23	SA4/23	Seal, Front Plate
24	SA4/24	Cylinder
25	SA4/25	Rotor

Item	Part No.	Description
26	SA4/26	Rotor Blade
27	SA4/27	Front End Plate
28	B/6002	Bearing 6002
29	SA4/29	Rear End Plate
30	B/6002	Bearing 6002
31	SA4/31	Spring, Valve Sleeve
32	SA4/32	Pin, Valve Sleeve
33	SA4/33	Rear Gasket
34	SA4/34	Cover
35	SA4/35	Washer, Rear Cover
36	SA4/36	Screw, Rear Cover
37	SA4/37	Washer, Rear Cover
38	SA4/38	Screw, Rear Cover
39	SA4/39	Exhaust Deflector
40	SA4/40	Screw
41	SA4/41	Screw
42	SA4.V2-06	Anvil Collar 3/4" x 2.0mm
43	SA4/43	O-Ring
44	SA4/44	Protecting Rubber
45	SA4/45	Screw
46	SA4/46	Oil Seal
47	SA4/47	Protecting Rubber
--	SA4/RS	Red Plastic Cover Sleeve (Not Shown)

NOTE: It is our policy to continually improve products and as such we reserve the right to alter data, specifications and component parts without prior notice. There may be alternative versions of this product, please contact us should you require this information.

IMPORTANT: No liability is accepted for incorrect use of product. Spare parts must be fitted by a competent person

WARRANTY: Guarantee is 12 months from purchase date, proof of which will be required for any claim.

Sealey Group, Kempson Way, Suffolk Business Park, Bury St Edmunds, Suffolk. IP32 7AR



01284 757500



01284 703534



sales@sealey.co.uk



www.sealey.co.uk