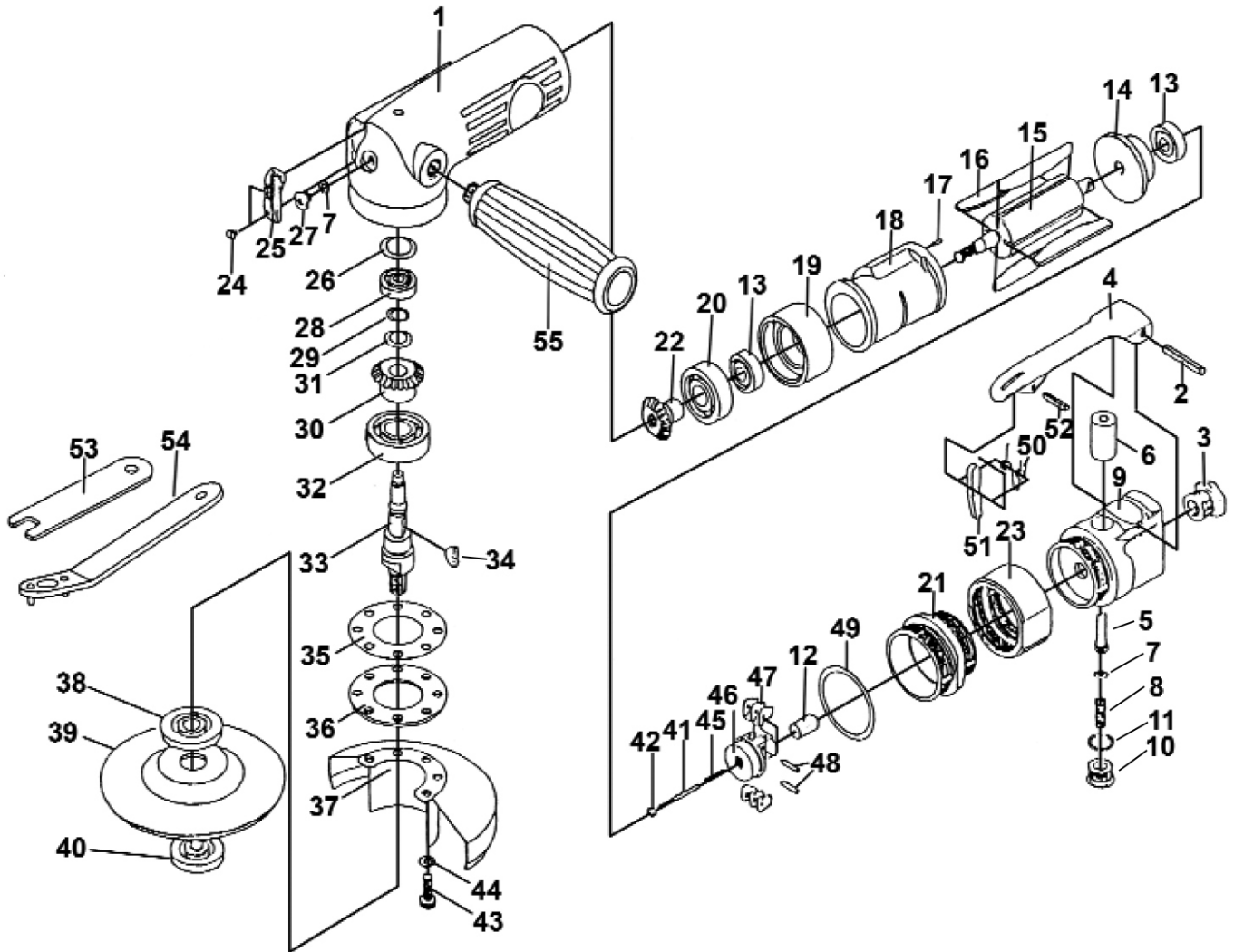




Parts Information:  
Air Angle Grinder Ø100mm Extra Heavy-Duty  
Model No: SA44.V2



**NOTE:** It is our policy to continually improve products and as such we reserve the right to alter data, specifications and component parts without prior notice. There may be alternative versions of this product, please contact us should you require this information.

**IMPORTANT:** No liability is accepted for incorrect use of product. Spare parts must be fitted by a competent person

**WARRANTY:** Guarantee is 12 months from purchase date, proof of which will be required for any claim.

Sealey Group, Kempson Way, Suffolk Business Park, Bury St Edmunds, Suffolk. IP32 7AR



01284 757500



01284 703534



sales@sealey.co.uk



www.sealey.co.uk



Parts Information:  
**Air Angle Grinder Ø100mm Extra Heavy-Duty**  
**Model No: SA44.V2**

| Item | Part No. | Description            |
|------|----------|------------------------|
| 1    | SA44T/01 | Motor Housing          |
| 2    | SA44T/02 | Spring Pin             |
| 3    | SA44T/03 | Air Inlet              |
| 4    | SA44T/04 | Trigger                |
| 5    | SA44T/05 | Valve Stem             |
| 6    | SA44T/06 | Bushing                |
| 7    | SA44T/07 | O-Ring (4.8*1.9)       |
| 8    | SA44T/08 | Valve Spring           |
| 9    | SA44T/09 | Throttle Valve Housing |
| 10   | SA44T/10 | Throttle Lever Plug    |
| 11   | SA44T/11 | O-ring (10*2)          |
| 12   | SA44T/12 | Plunger                |
| 13   | B/608ZZ  | Bearing 608zz          |
| 14   | SA44T/14 | End Plate              |
| 15   | SA44T/15 | Rotor                  |
| 16   | SA44T/16 | Rotor Blade            |
| 17   | SA44T/17 | Spring Pin             |
| 18   | SA44T/18 | Cylinder               |
| 19   | SA44T/19 | Front Plate            |
| 20   | B/6201Z  | Bearing 6201z          |
| 21   | SA44T/21 | Lock Nut               |
| 22   | SA44T/22 | Bevel Pinion           |
| 23   | SA44T/23 | Coupling Nut           |
| 24   | SA44T/24 | Screw                  |
| 25   | SA44T/25 | Exhaust Deflector      |
| 26   | SA44T/26 | Spacer                 |
| 27   | SA44T/27 | Screw                  |
| 28   | B/626ZZ  | Bearing 626zz          |

| Item | Part No. | Description                        |
|------|----------|------------------------------------|
| 29   | SA44T/29 | Retaining Ring                     |
| 30   | SA44T/30 | Bevel Gear                         |
| 31   | SA44T/31 | Wave Washer                        |
| 32   | B/6202ZZ | Bearing 6202zz                     |
| 33   | SA44T/33 | Spindle                            |
| 34   | SA44T/34 | Woodruff Key                       |
| 35   | SA44T/35 | Gasket                             |
| 36   | SA44T/36 | Retainer                           |
| 37   | SA44T/37 | Disc cover                         |
| 38   | SA44T/38 | Flange                             |
| 39   | PTC/100G | Grinding Disc Ø100 x 6mm 16mm Bore |
| 39   | PTC/100C | Cutting Disc Ø100 x 3mm 16mm Bore  |
| 40   | SA44T/40 | Flange Nut                         |
| 41   | SA44T/41 | Adjust Screw                       |
| 42   | SA44T/42 | Adjusting Nut                      |
| 43   | SA44T/43 | Cap Screw                          |
| 44   | SA44T/44 | Spring Washer                      |
| 45   | SA44T/45 | Spring                             |
| 46   | SA44T/46 | Governor                           |
| 47   | SA44T/47 | Pendulum                           |
| 48   | SA44T/48 | Spring Pin                         |
| 49   | SA44T/49 | O-Ring                             |
| 50   | SA44T/50 | Torsion Spring                     |
| 51   | SA44T/51 | Throttle Lever Lock                |
| 52   | SA44T/52 | Spring Pin                         |
| 53   | SA44T/53 | Spanner                            |
| 54   | SA44T/54 | Pin Wrench                         |
| 55   | SA44T/55 | Handle                             |

**NOTE:** It is our policy to continually improve products and as such we reserve the right to alter data, specifications and component parts without prior notice. There may be alternative versions of this product, please contact us should you require this information.

**IMPORTANT:** No liability is accepted for incorrect use of product. Spare parts must be fitted by a competent person

**WARRANTY:** Guarantee is 12 months from purchase date, proof of which will be required for any claim.

**Sealey Group**, Kempson Way, Suffolk Business Park, Bury St Edmunds, Suffolk. IP32 7AR



01284 757500



01284 703534



sales@sealey.co.uk



www.sealey.co.uk