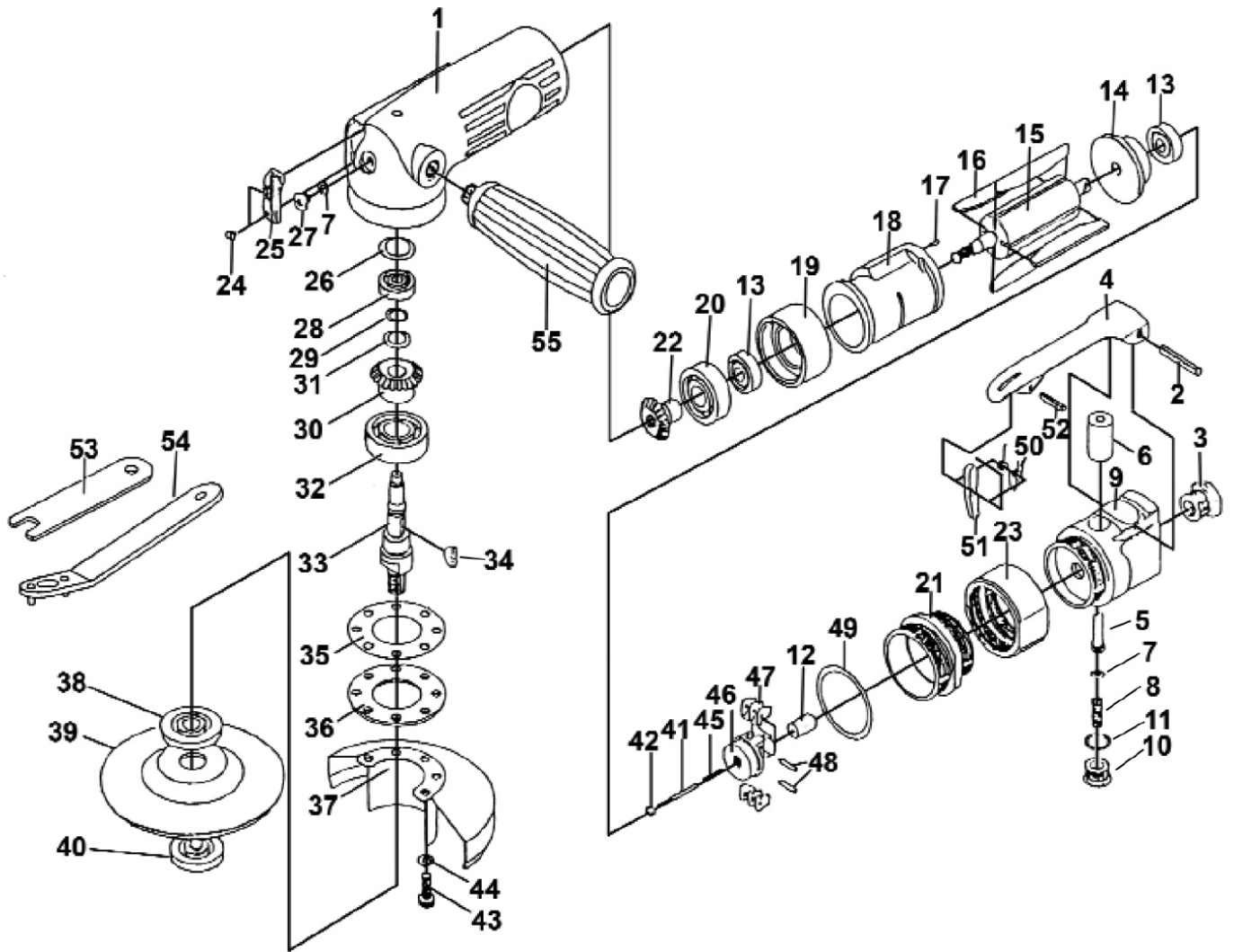


Parts Information:
Air Angle Grinder Ø100mm Extra Heavy-Duty
Model No: SA44.V2



Item	Part No.	Description
1	SA44T/01	Motor Housing
2	SA44T/02	Spring Pin
3	SA44T/03	Air Inlet
4	SA44T/04	Trigger
5	SA44T/05	Valve Stem
6	SA44T/06	Bushing
7	SA44T/07	O-Ring, (Ex: 8.90 In: 5.08 Cs: 1.91)
8	SA44T/08	Valve Spring Dia 7.45mm
9	SA44T/09	Throttle Valve Housing
10	SA44T/10	Throttle Lever Plug
11	SA44T/11	O-Ring, (Ex: 14.60 In: 9.77 Cs: 2.42)
12	SA44T/12	Plunger
13	B/608ZZ	Bearing 608zz
14	SA44T/14	End Plate

Item	Part No.	Description
15	SA44T/15	Rotor
16	SA44T/16	Rotor Blade
17	SA44T/17	Spring Pin
18	SA44T/18	Cylinder
19	SA44T/19	Front Plate
20	B/6201Z	Bearing 6201z
21	SA44T/21	Lock Nut
22	SA44T/22	Bevel Pinion
23	SA44T/23	Coupling Nut
24	SA44T/24	Screw
25	SA44T/25	Exhaust Deflector
26	SA44T/26	Spacer
27	SA44T/27	Screw
28	B/626ZZ	Bearing 626zz

NOTE: It is our policy to continually improve products and as such we reserve the right to alter data, specifications and component parts without prior notice. There may be alternative versions of this product, please contact us should you require this information.

IMPORTANT: No liability is accepted for incorrect use of product. Spare parts must be fitted by a competent person

WARRANTY: Guarantee is 12 months from purchase date, proof of which will be required for any claim.



Parts Information:
Air Angle Grinder Ø100mm Extra Heavy-Duty
Model No: SA44.V2

Item	Part No.	Description
29	SA44T/29	Retaining Ring
30	SA44T/30	Bevel Gear
31	SA44T/31	Wave Washer
32	B/6202ZZ	Bearing 6202zz
33	SA44T/33	Spindle
34	SA44T/34	Woodruff Key
35	SA44T/35	Gasket
36	SA44T/36	Retainer
37	SA44T/37	Disc cover
38	SA44T/38	Flange
39	PTC/100G	Grinding Disc Ø100 x 6mm 16mm Bore
39	PTC/100C	Cutting Disc Ø100 x 3mm 16mm Bore
40	SA44T/40	Flange Nut
41	SA44T/41	Adjust Screw

Item	Part No.	Description
42	SA44T/42	Adjusting Nut
43	SA44T/43	Cap Screw
44	SA44T/44	Spring Washer
45	SA44T/45	Spring
46	SA44T/46	Governor
47	SA44T/47	Pendulum
48	SA44T/48	Spring Pin
49	SA44T/49	O-Ring
50	SA44T/50	Torsion Spring
51	SA44T/51	Throttle Lever Lock
52	SA44T/52	Spring Pin
53	SA44T/53	Spanner
54	SA44T/54	Pin Wrench
55	SA44T/55	Handle

NOTE: It is our policy to continually improve products and as such we reserve the right to alter data, specifications and component parts without prior notice. There may be alternative versions of this product, please contact us should you require this information.

IMPORTANT: No liability is accepted for incorrect use of product. Spare parts must be fitted by a competent person

WARRANTY: Guarantee is 12 months from purchase date, proof of which will be required for any claim.

Sealey Group, Kempson Way, Suffolk Business Park, Bury St Edmunds, Suffolk. IP32 7AR



01284 757500



01284 703534



sales@sealey.co.uk



www.sealey.co.uk