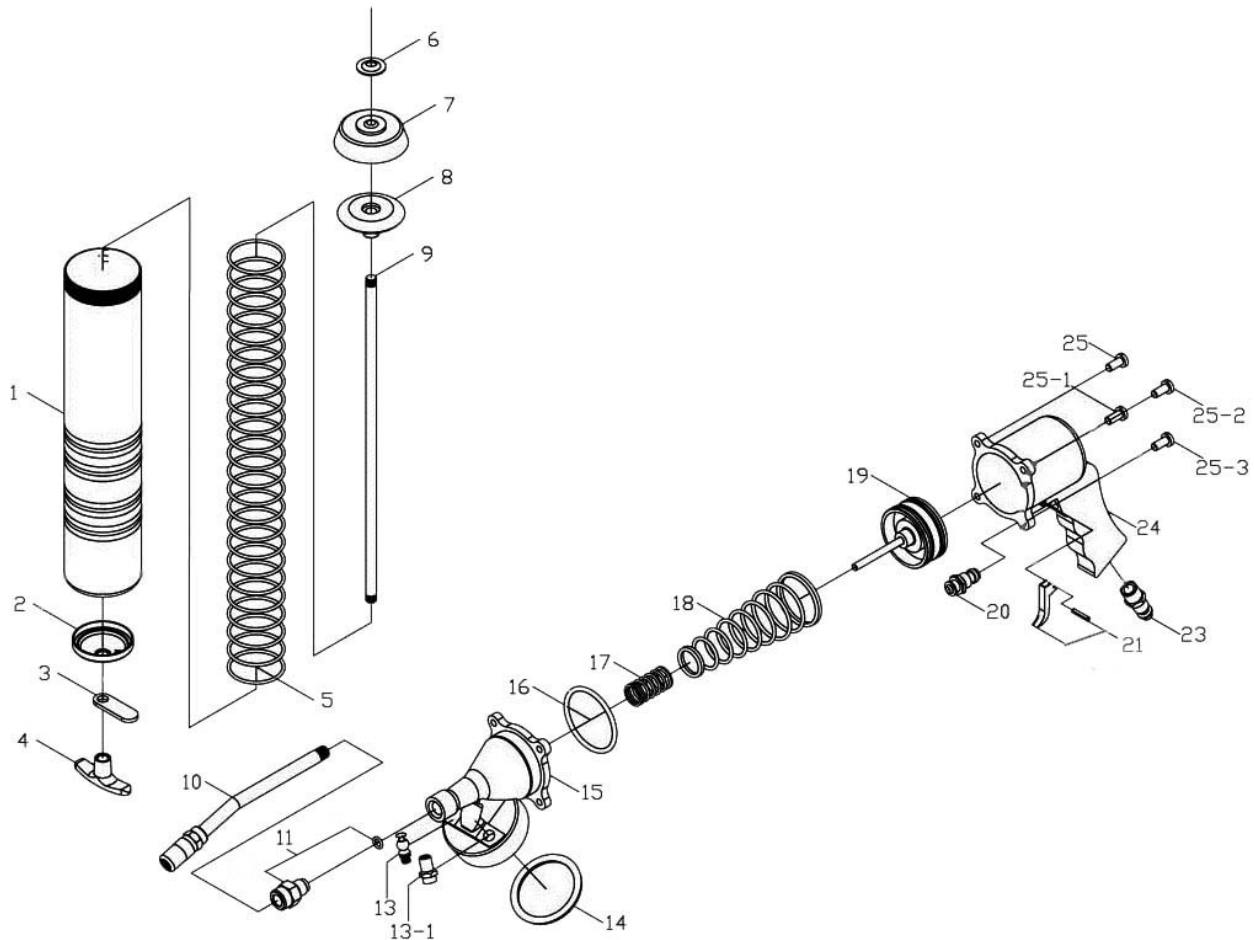




Parts Information:
Air Operated Continuous Flow Grease Gun
- Pistol Type
Model No: SA401.V2



Item	Part No.	Description
1	SA401.V2-01	Container Tube
2	SA401.V2-02	Bottom Cap
3	SA401.V2-03	Catch Plate
4	SA401.V2-04	Plunger Handle
5	SA401.V2-05	Spring for Container Tube
6	SA401.V2-06	Plunger Washer
7	SA401.V2-07	Plunger
8	SA401.V2-08	Plunger Gasket
9	SA401.V2-09	Plunger Rod
10	SA401.V2-10	Rigid Spout
11	SA401.V2-11	Adaptor (c/w O-Ring)
13	SA401.V2-13	Filler Plug
13-1	SA401.V2-13-1	Air Vent Valve
14	SA401.V2-14	Container Gasket

Item	Part No.	Description
15	SA401.V2-15	Housing Cap
16	SA401.V2-16	Housing O-Ring
17	SA401.V2-17	Piston Spring
18	SA401.V2-18	Spring (Small)
19	SA401.V2-19	Air Piston Unit
20	SA401.V2-20	Switch
21	SA401.V2-21	Trigger (c/w Trigger Pin)
23	SA401.V2-23	Air Inlet Adaptor
24	SA401.V2-24	Handle Grip
25	SA401.V2-25	Housing Screw
25-1	SA401.V2-25-1	Housing Screw
25-2	SA401.V2-25-2	Housing Screw
25-3	SA401.V2-25-3	Housing Screw

NOTE: It is our policy to continually improve products and as such we reserve the right to alter data, specifications and component parts without prior notice. There may be alternative versions of this product, please contact us should you require this information.

IMPORTANT: No liability is accepted for incorrect use of product. Spare parts must be fitted by a competent person

WARRANTY: Guarantee is 12 months from purchase date, proof of which will be required for any claim.

Sealey Group, Kempson Way, Suffolk Business Park, Bury St Edmunds, Suffolk. IP32 7AR



01284 757500



01284 703534



sales@sealey.co.uk



www.sealey.co.uk