

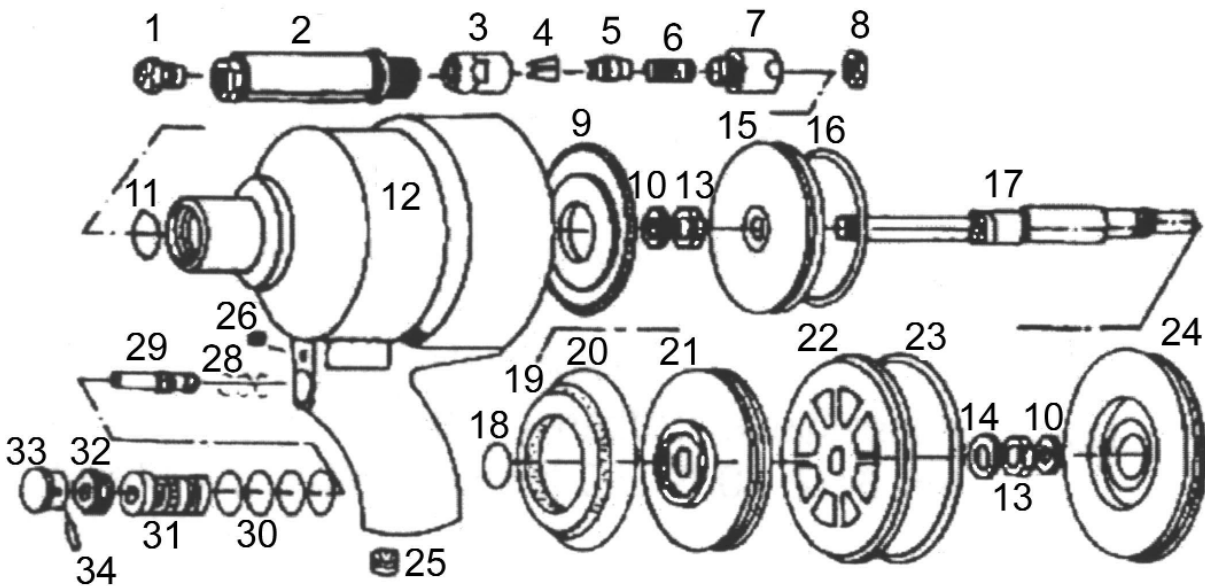
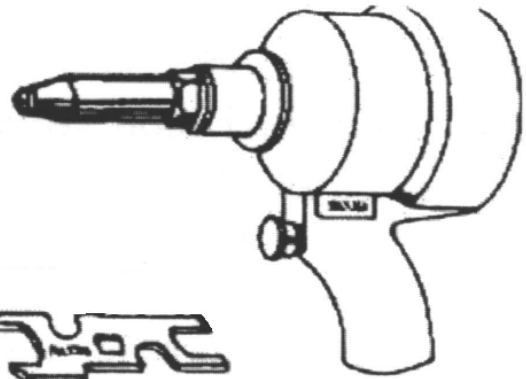
SEALEY

POWER TOOLS

PARTS FOR:
AIR/HYDRAULIC RIVETER

Model: **SA38**

Issue: 1
Issue Date: 010903



Item	Part No.	Description	Item	Part No.	Description
01A	SA38/01A	Nose-piece, 3/16"	18	SA38/18	X-ring seal
01B	SA38/01B	Nose-piece, 5/32"	19	SA38/19	Damping ring
01C	SA38/01C	Nose-piece, 1/8"	20	SA38/20	O-ring (80 x 2mm)
01D	SA38/31D	Nose-piece, 3/32"	21	SA38/21	Cylinder cap
2	SA38/02	Head	22	SA38/22	Rear piston
3	SA38/03	Jaw housing	23	SA38/23	O-ring (83 x 2mm)
4	SA38/04	Jaw	24	SA38/24	Housing cap
5	SA38/05	Jaw pusher	25	SA38/25	Silencer
6	SA38/06	Spring	26	SA38/26	Screw (SO)
7	SA38/07	Jaw housing coupler	28	SA38/28	O-ring seal
8	SA38/08	Nut	29	SA38/29	Valve stem
9	SA38/09	Damping ring	30	SA38/30	O-ring seal
10	SA38/10	Nut	31	SA38/31	Valve bushing
11	SA38/11	O-ring	32	SA38/32	Valve screw
12	SA38/12	Housing (SO)	33	SA38/33	Button
13	SA38/13	Nut	34	SA38/34	Pin
14	SA38/14	Washer	35	SA38/35	Wrench (SO)
15	SA38/15	Piston (SO)			
16	SA38/16	O-ring (75 x 2mm)			
17	SA38/17	Piston rod			

SEALEY POWER TOOLS

Sole UK Distributor,
Sealey Group, Bury St. Edmunds, Suffolk.

01284 757500

01284 703534

sales@sealey.co.uk

www.sealey.co.uk