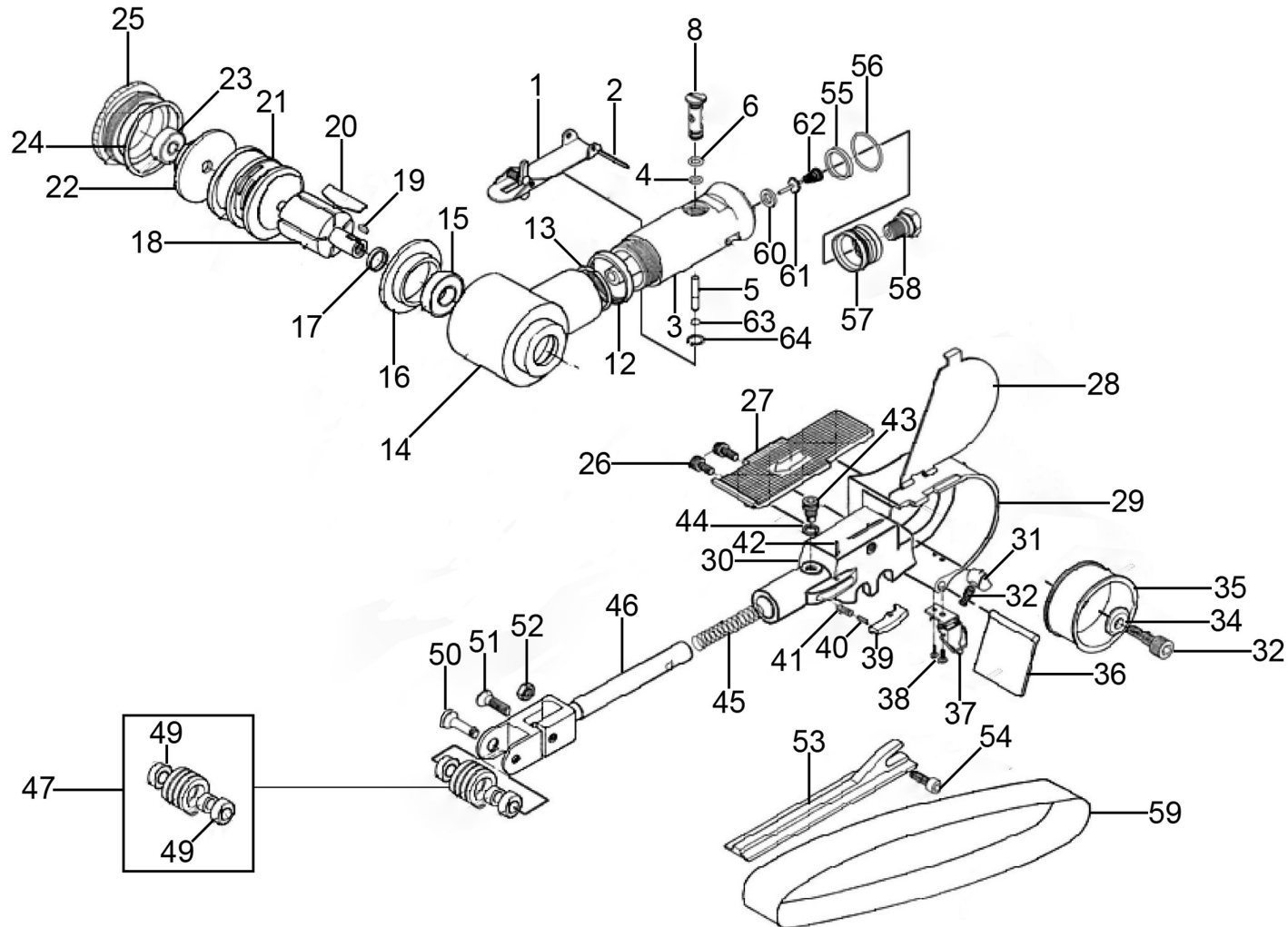




Parts Information:
Air Belt Sander 20 x 520mm
Model No: SA355.V2



NOTE: It is our policy to continually improve products and as such we reserve the right to alter data, specifications and component parts without prior notice.

There may be alternative versions of this product, please contact us should you require this information.

IMPORTANT: No liability is accepted for incorrect use of product. Spare parts must be fitted by a competent person

WARRANTY: Guarantee is 12 months from purchase date, proof of which will be required for any claim.

Sealey Group, Kempson Way, Suffolk Business Park, Bury St Edmunds, Suffolk. IP32 7AR



01284 757500



01284 703534



sales@sealey.co.uk



www.sealey.co.uk



Parts Information:
Air Belt Sander 20 x 520mm
Model No: SA355.V2

Item	Part No.	Description
1	SA355.V2-01	Throttle Lever
2	SA355.V2-02	Lever Pin
3	SA355.V2-03	Motor Housing
4	SA355.V2-04	O-Ring
5	SA355.V2-05	Valve Stem
6	SA57.32	O-Ring
8	SA355.V2-08	Air Controller
12	SA355.V2-12	Lock Nut
13	SA355.V2-13	O-Ring
14	SA355.V2-14	Housing
15	B/627ZZ	Bearing
16	SA355.V2-16	Front End Plate
17	SA355.V2-17	Spacer
18	SA355.V2-18	Rotor
19	SA355.V2-19	Woodruff Key
20	SA355.V2-20	Rotor Blade
21	SA355.V2-21	Cylinder
22	SA355.V2-22	Rear Plate
23	B/626ZZ	Bearing
24	SA355.V2-24	O-Ring
25	SA355.V2-25	Motor Nut
26	SA355.V2-26	Socket Head Cap Screw M5 x 10mm
27	SA355.V2-27	Finger Plate
28	SA355.V2-28	Wheel Cover Lid
29	SA355.V2-29	Wheel Cover (c/w Spacer)
30	SA355.V2-30	Spring Pin
31	SA355.V2-31	Lock Pin
32	SCB516.SB	Socket Cap Bolt M5 x 16mm Black
34	SA355.V2-34	Washer, Brass Bevelled Edge
35	SA355.V2-35	Drive Pulley
36	SA355.V2-36	Dust Cover
37	SA355.V2-37	Cover Latch

Item	Part No.	Description
38	MSP35.S	Pan Head Machine Screw M3 x 5mm
39	SA355.V2-39	Tension bar
40	SA355.V2-40	Spring Pin
41	SA355.V2-41	Spring
42	SA355.V2-42	Spring Pin
43	SA355.V2-43	Screw
44	SWM5.SB	Spring Washer M5 Black
45	SA355.V2-45	Tension Spring
46	SA355.V2-46	Tension Arm
47	SA355.V2-47	Idle Pulley Assembly
49	B/686-RS	Bearing
50	SA355.V2-50	Screw
51	MSCS618.SB	Csk Socket Machine Screw M6 x 18mm Black
52	SN6.S	Steel Nut M6
53	SA355.V2-53	Shoe
54	SCB512.SB	Socket Cap Bolt M5 x 12mm Black
55	SA355.V2-55	Silencer
56	SA621.V2-13	O-Ring
57	SA355.V2-57	Air Deflector
58	SA355.V2-58	Air Inlet
59	SA355/B60G	Sanding Belt 20 x 520mm 60Grit (Pack of 5)
60	SA355.V2-60	White Seal Ring
61	SA355.V2-61	Valve Stem
62	SA355.V2-62	Spring, Conical
63	SA355.V2-63	O-Ring, (Ex: 4.80 In: 2.94 Cs: 0.93)
64	MC4500.P5	External Circlip
--	SA355/B80G	Sanding Belt 20 x 520mm 80Grit (Pack of 5) (Not Shown)
--	SA355/B100G	Sanding Belt 20 x 520mm 100Grit (Pack of 5) (Not Shown)
--	SA355/B120G	Sanding Belt 20 x 520mm 120Grit (Pack of 5) (Not Shown)

NOTE: It is our policy to continually improve products and as such we reserve the right to alter data, specifications and component parts without prior notice. There may be alternative versions of this product, please contact us should you require this information.

IMPORTANT: No liability is accepted for incorrect use of product. Spare parts must be fitted by a competent person

WARRANTY: Guarantee is 12 months from purchase date, proof of which will be required for any claim.

Sealey Group, Kempson Way, Suffolk Business Park, Bury St Edmunds, Suffolk. IP32 7AR



01284 757500



01284 703534



sales@sealey.co.uk



www.sealey.co.uk