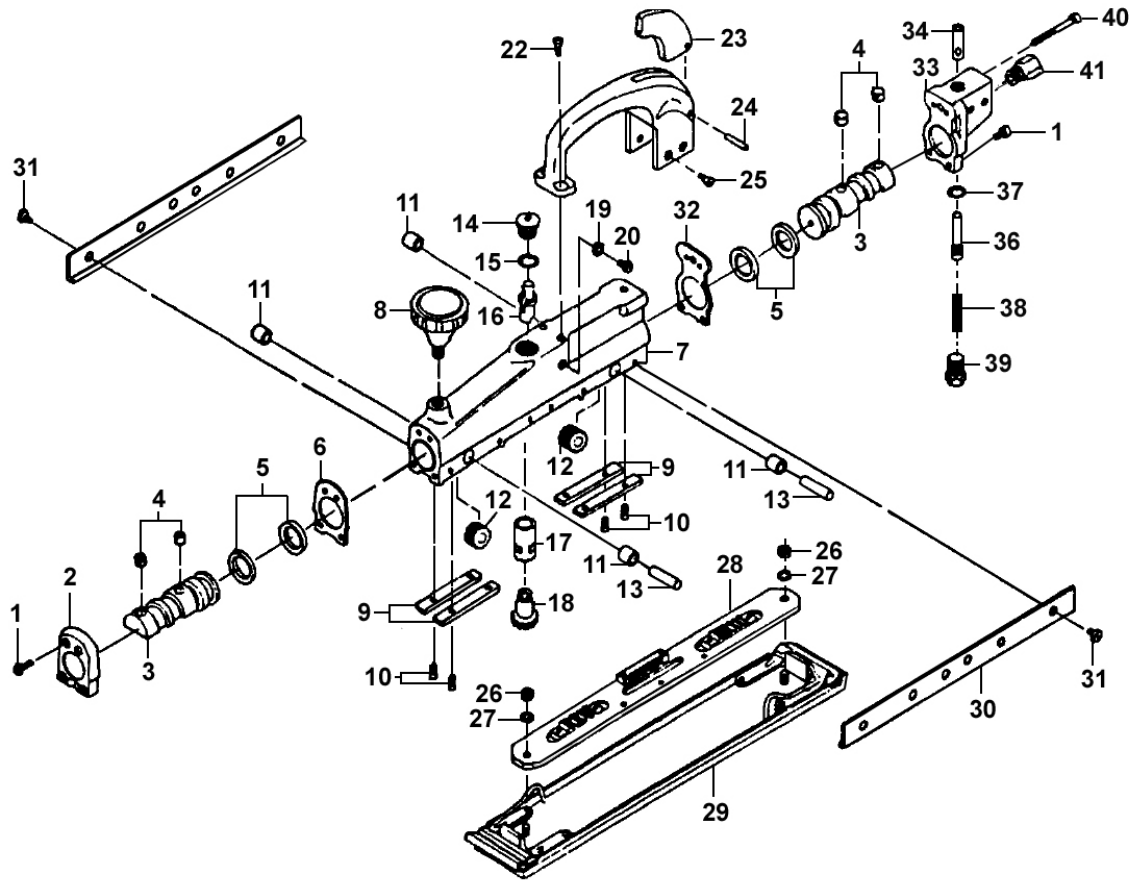


Parts Information:
**Air Long Bed Sander 400 x 70mm Twin
 Piston In-line
 Model No: SA32**



Item	Part No.	Description
1	SA32/01	Socket Head screw
2	SA32/02	Front Cap
3	SA32/03	Piston
4	SA32/04	Plug
5	SA32/05	Piston Ring
6	SA32/06	Front Gasket
7	SA32/07	Body
8	SA32/08	Knob
9	SA32/09	Wear Plate
10	SA32/10	Socket
11	SA32/11	Bush
12	SA32/12	Gear
13	SA32/13	Shaft
14	SA32/14	Plunger
15	SA32/15	O-ring
16	SA32/16	Shaft
17	SA32/17	Actuator Valve
18	SA32/18	Actuator Gear
19	SA32/19	O-Ring
20	SA32/20	Flat Hd

Item	Part No.	Description
21	SA32/21	Handle
22	SA32/22	Screw
23	SA32/23	Trigger
24	SA32/24	Pin
25	SA32/25	Phillips Round Head Screw
26	SA32/26	Hex Nut
27	SA32/27	Washer
28	SA32/28	Carrier
29	SA32/29	Pad Assembly
30	SA32/30	Side Strap
31	SA32/31	Phillips Round Head Screw
32	SA32/32	Rear Gasket
33	SA32/33	Rear Cap
34	SA32/34	Valve
36	SA32/36	Valve Pin
37	SA32/37	O-Ring
38	SA32/38	Valve Spring
39	SA32/39	Valve, Plug
40	SA32/40	Socket
41	SA32/41	Hose Adaptor

NOTE: It is our policy to continually improve products and as such we reserve the right to alter data, specifications and component parts without prior notice. There may be alternative versions of this product, please contact us should you require this information.

IMPORTANT: No liability is accepted for incorrect use of product. Spare parts must be fitted by a competent person

WARRANTY: Guarantee is 12 months from purchase date, proof of which will be required for any claim.